

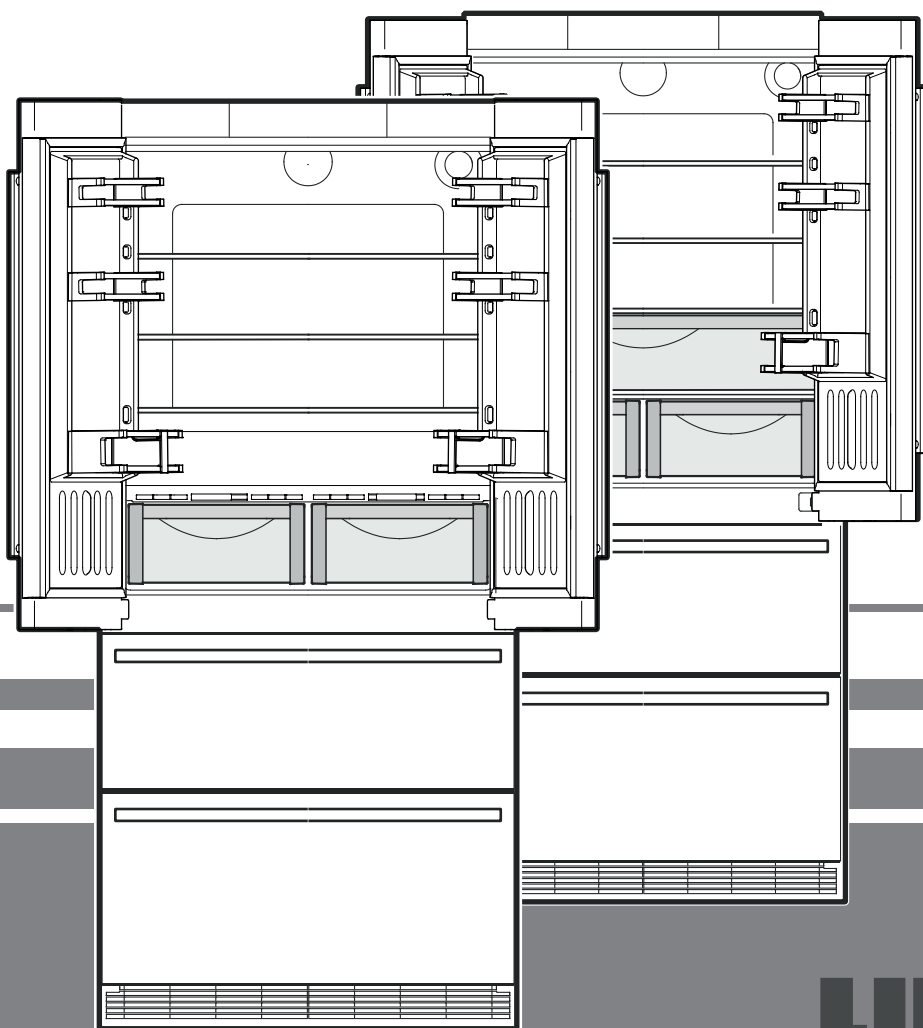
Übersetzung

## Installation instructions

For NoFrost combined refrigerator-freezers

Page 6

EN



**7082 723-00**

CN/CBNes 62

**LIEBHERR**

## Setting up

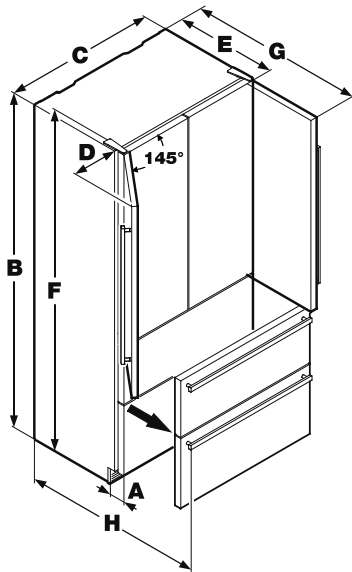
- Avoid positioning the appliance in direct sunlight or near cookers, radiators and similar sources of heat.
- The floor on which the appliance stands should be horizontal and level.
- The ventilation grilles should not be obstructed. Always ensure that there is good ventilation and that the outward flowing air is able to escape.
- Do not place heat-emitting appliances, e.g. microwave oven, toaster, etc., on top of the appliance.
- Standard EN 378 specifies that the room in which you install your appliance must have a volume of 1 m<sup>3</sup> per 8 g of R 600a refrigerant used in the appliance, so as to avoid the formation of inflammable gas/air mixtures in the room where the appliance is located in the event of a leak in the refrigerant circuit. The quantity of refrigerant used in your appliance is indicated on the type plate on the inside of the appliance.
- Do not connect the appliance to the supply with other equipment using an extension cable - risk of overheating.

## Connecting to the mains

Power supply (AC) and voltage at the operating point must comply with the details on the type plate, which is located on the inside left of the appliance, next to the vegetable bins. The socket must be fused with a 10 A fuse or higher, it must be away from the rear of the appliance and must be easily accessible.

**Connect the appliance with a properly earthed fused plug and socket only.**

## Appliance dimensions



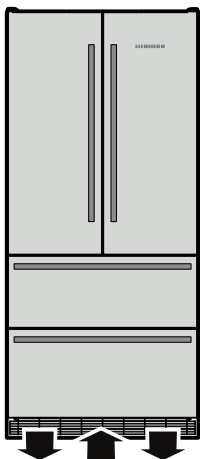
- A. 90 mm
- B. 2027 mm
- C. 910 mm
- D. 279 mm
- E. 615 mm
- F. 2039 mm
- G. 1037 mm
- H. 1002 mm

## Appliance venting

The required air flow is directed through the plinth.

It is important to use the provided ventilation grille for the ventilation opening.

This opening must not be covered.



## Mounting the anti-tipping device

### Caution!

**The supplied anti-tipping bracket must be installed in all cases.**

This prevents the appliance from tipping over when the fully loaded door is opened.

### Installation:

1. Mark the centre line of the appliance on the wall.  
Align the anti-tipping bracket centre to the centre line on the wall.

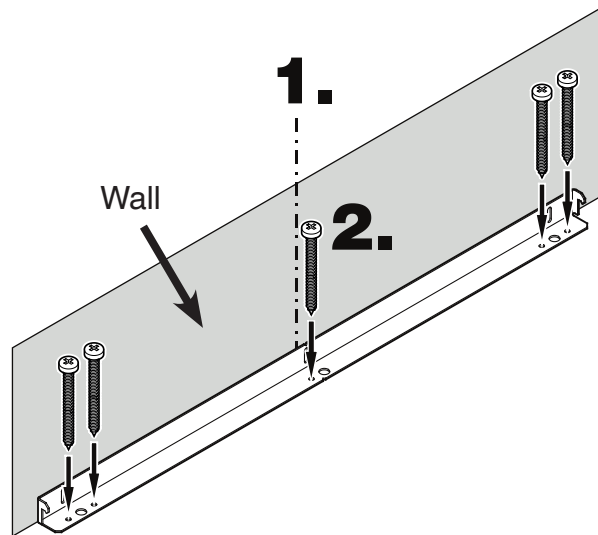
### Caution!

**Ensure that there are no electric cables or water pipes in the wall section to which the anti-tipping bracket is to be secured. These could be damaged during installation.**

2. Secure the anti-tipping bracket to the floor using the 5 screws (6 mm x 60 mm) included in the accessory pack.

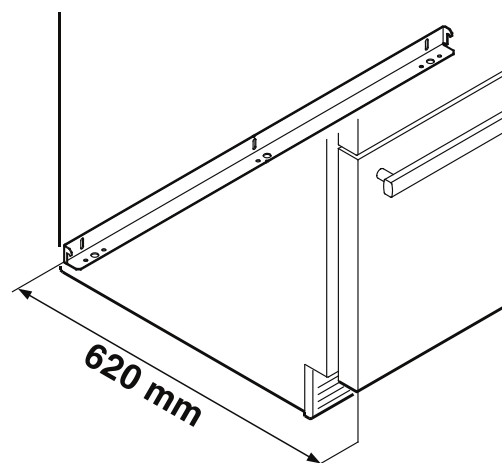
### Important!

**When securing the anti-tipping bracket to a concrete floor, use suitable plugs!**



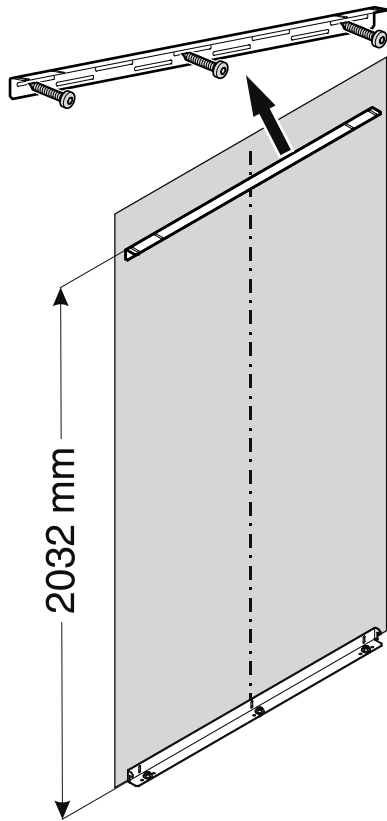
If the appliance is installed between furniture that has a depth of more than 620 mm, the appliance will not be in contact with the anti-tipping bracket.

In this case, it must be installed in a space of 620 mm from the front face of the appliance to the rear edge of the anti-tipping bracket.

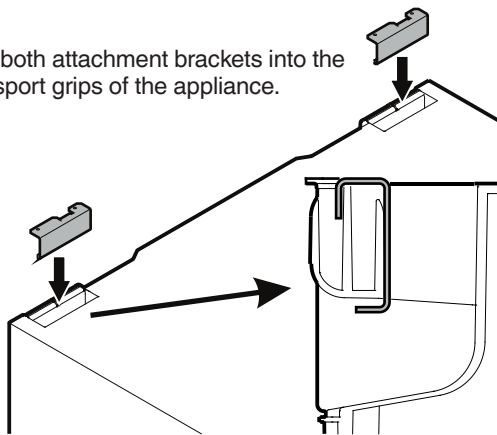


## Fitting the top anti-tipping bracket

1. Mount the anti-tipping bracket provided on the wall using 6 x 60 screws.



2. Clip both attachment brackets into the transport grips of the appliance.



Side view

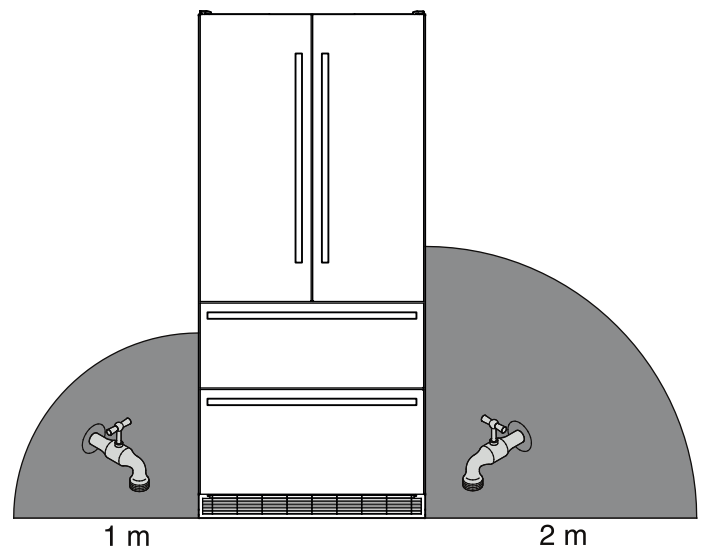
## Ice maker

The ice maker is fitted in the freezer compartment of the combined refrigerator-freezer. It must be connected to the mains water supply to work.

### Safety instructions and warnings

- Do not connect to the water supply while the combined refrigerator-freezer is connected to the electricity supply.
- **The connection to the mains water supply may only be made by trained personnel.**
- **The water quality must comply with the drinking water directives of the country in which the appliance is used.**
- The ice maker is designed exclusively to make ice cubes in quantities required by a household and may only be operated with water suitable for this purpose.
- All repairs and work on the ice maker may only be carried out by customer service personnel or other trained personnel.
- **The manufacturer cannot accept liability for damage caused by a faulty connection to the mains water supply.**

### Position of the water connection



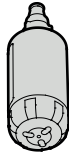
The water shut-off valve must be positioned within the areas marked in grey.

## Connection to the water supply

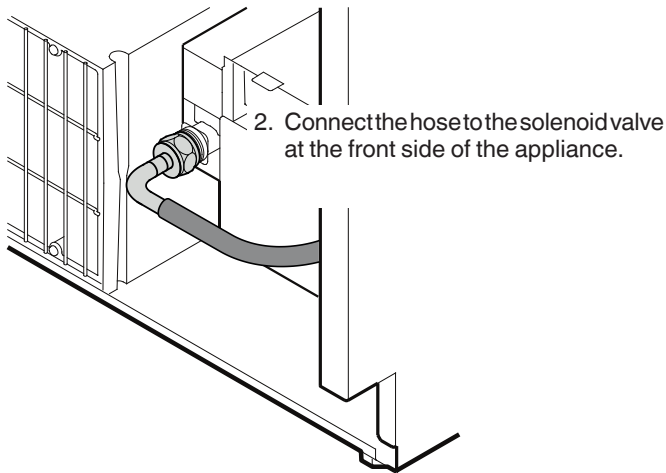
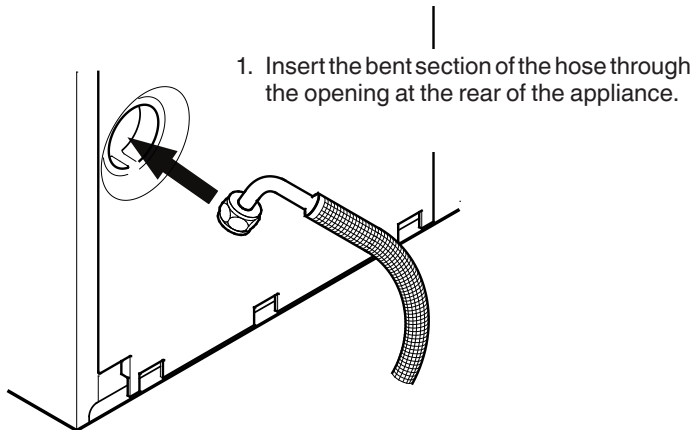
The **water pressure** must be between **0.15 and 0.6 MPa (1.5 - 6 bar)**.

### Important:

If the water filter is inserted in the appliance, the **water pressure** must lie between **0.3 and 0.6 MPa (3 - 6 bar)**. If the water pressure with the inserted water filter is too low, this may cause the ice maker to malfunction.



The water supply to the appliance must be through a cold water pipe that can withstand the operating pressure and complies with the hygiene regulations. For this, use the stainless steel hose supplied (length 3 m).



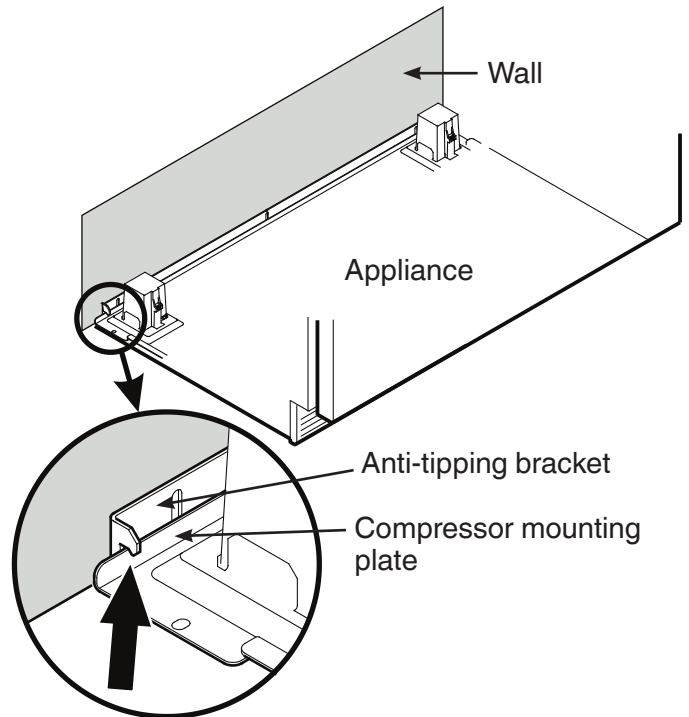
### Important!

After the IceMaker has been switched on, the water supply system must be bled. See the section **Bleeding the ice maker** in the operating instructions.

3. Push the appliance to the wall until the compressor mounting plate touches the anti-tipping bracket.

### Caution!

**To prevent the appliance from tipping forwards, the compressor mounting plate must be touching the anti-tipping bracket!**



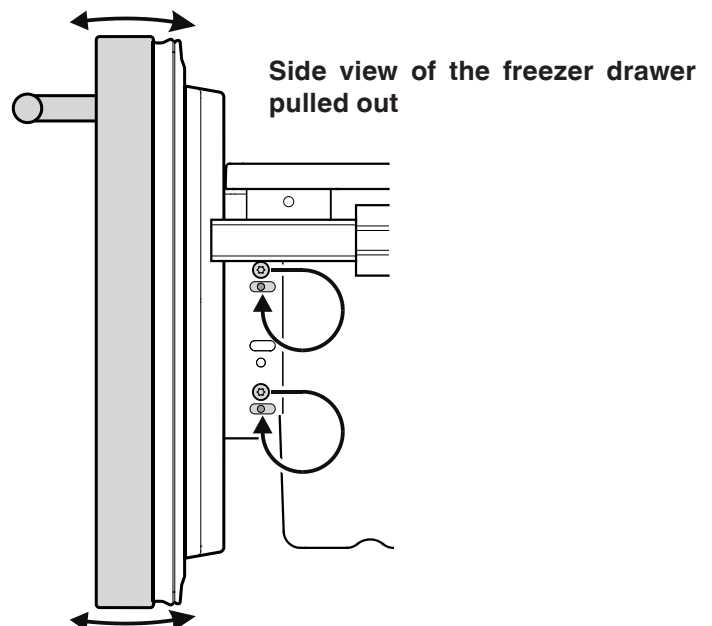
4. Connect the hose to the shut-off tap. Open the shut-off tap and check the system for leakage.

### Caution!

**Do not connect the appliance to the power supply until the installation is completed.**

## Adjusting the front of the drawer

If required, the front of the freezer drawers can be adjusted. Transfer the screws shown in the illustration (on the left and right sides of the freezer drawer) individually to the long slots below. Tighten the screws in the front of the drawer once it is in the right position.

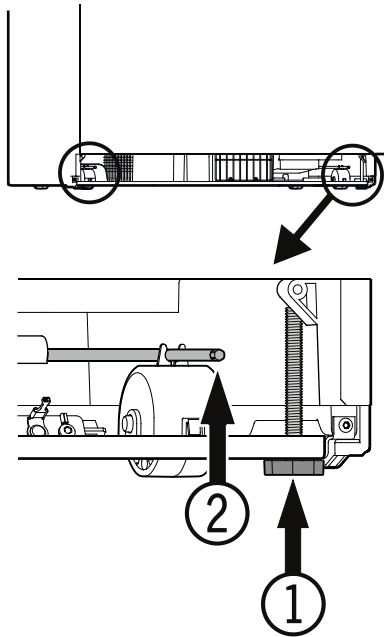


## Levelling the appliance

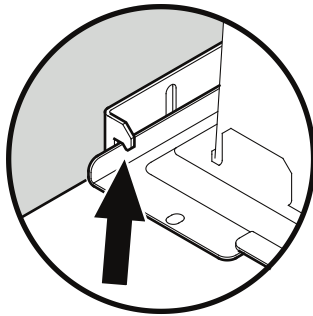
1. Adjust the height of the appliance at the front by twisting the adjustable feet ① (A/F 27).

### Caution!

The front feet of the appliance must be firmly placed on the floor.

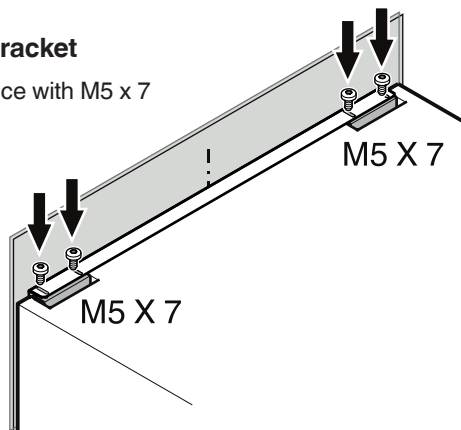


2. Turn the adjusting bars ② clockwise until the compressor mounting plate touches the anti-tipping bracket.



### Top anti-tipping bracket

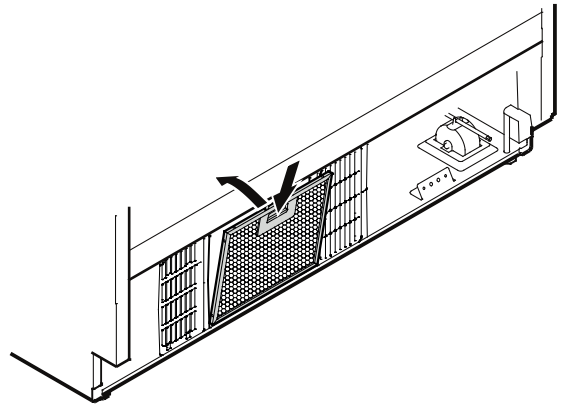
3. Secure the appliance with M5 x 7 screws.



## Mounting the dust filter

The supplied dust filter prevents that dirt enters the motor compartment, reducing the refrigeration performance. Therefore always install the dust filter.

1. Pull the bottom freezer drawer right out.
2. Remove the protective film from the dust filter. Insert the filter at the bottom, press the button down and click the filter into place.

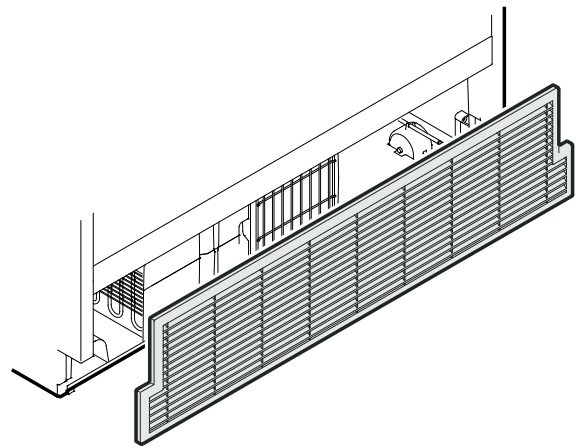


## Mounting the ventilation grille

### Important!

To ensure fault-free operation of the appliance, you must install the supplied ventilation grille.

Do not obstruct the ventilation opening or cover it with a panel!





**Liebherr Hausgeräte Lienz GmbH**

Dr.-Hans-Liebherr-Strasse 1

A-9900 Lienz

Österreich

[www.liebherr.com](http://www.liebherr.com)

