

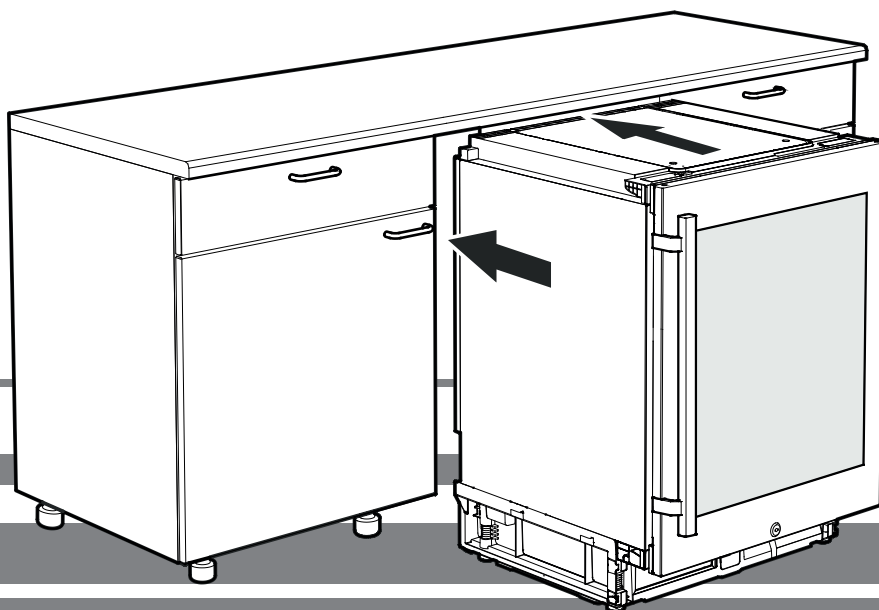
Übersetzung

Installation instructions

Multi-temperature wine cabinet

Page 10

EN

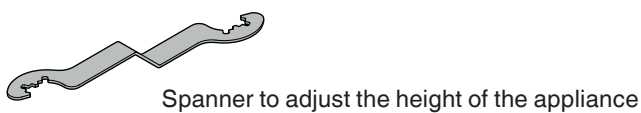
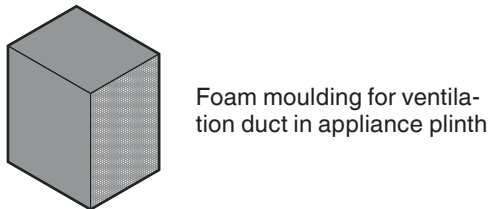
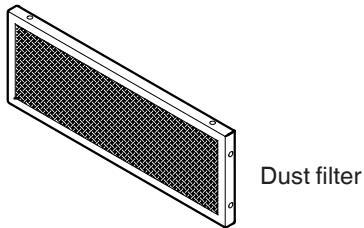
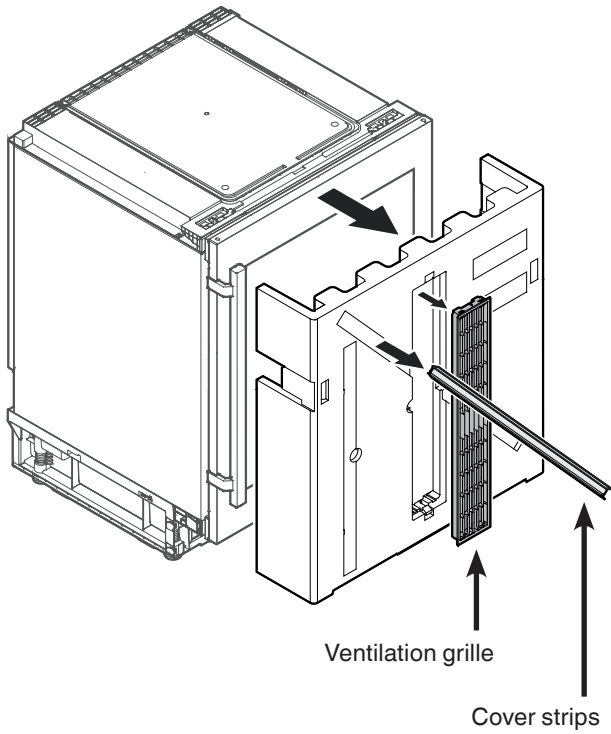


7080 196-00

UWT 1672 / UWK 1752

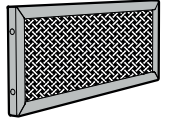
LIEBHERR

Supplied accessories



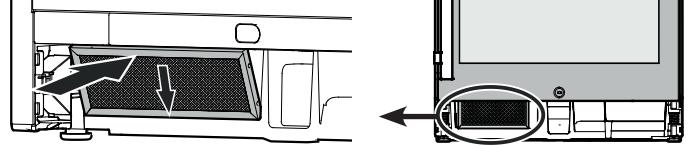
Mounting the dust filter

The supplied dust filter prevents that dirt enters the motor compartment, reducing the refrigeration performance. Therefore always install the dust filter.



Remove the protective film from the dust filter.

Insert the filter **at the bottom** and click into place **at the top**.

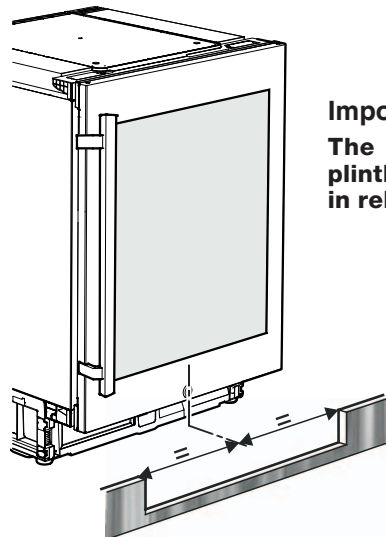
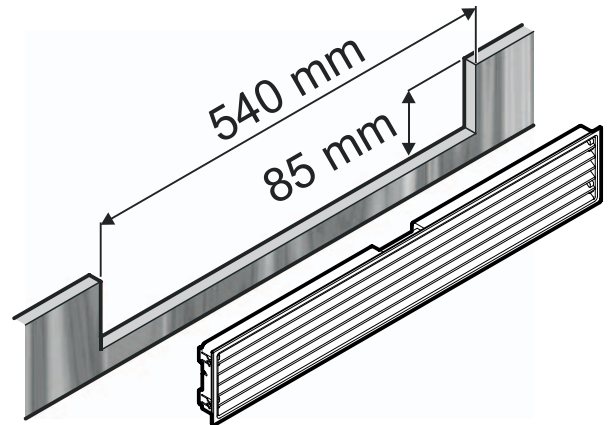


Appliance venting

The required air flow is directed through the plinth.

It is important to use the provided ventilation grille for the ventilation opening.

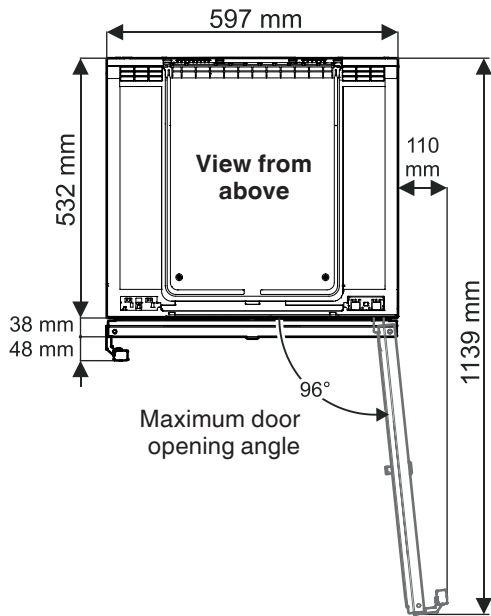
Cut-out section in the plinth panel



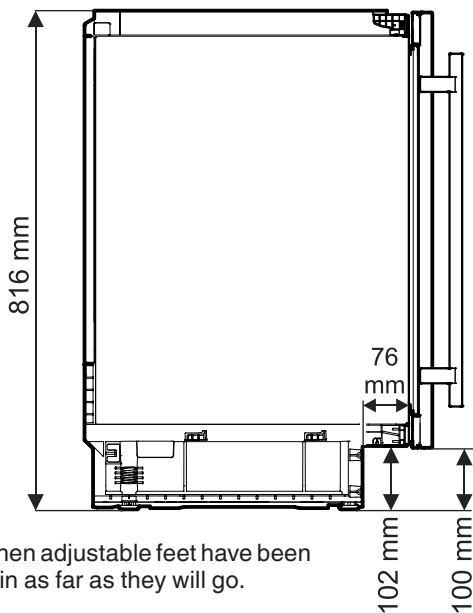
Important

The cut-out section in the plinth panel must be centred in relation to the appliance.

Appliance dimensions



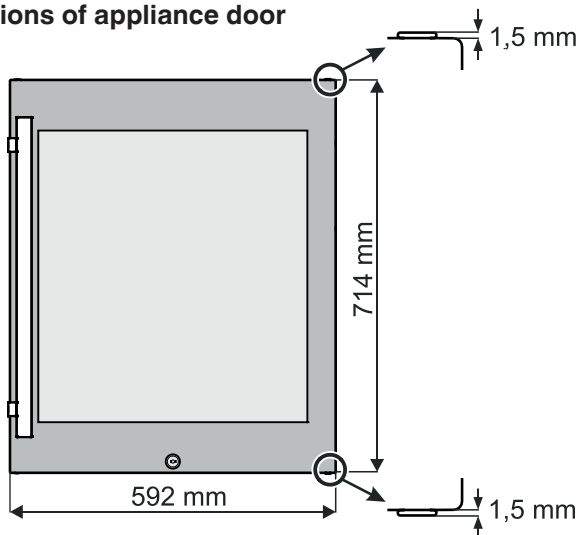
Side view



Height when adjustable feet have been screwed in as far as they will go.

Maximum height adjustment = 50 mm

Dimensions of appliance door



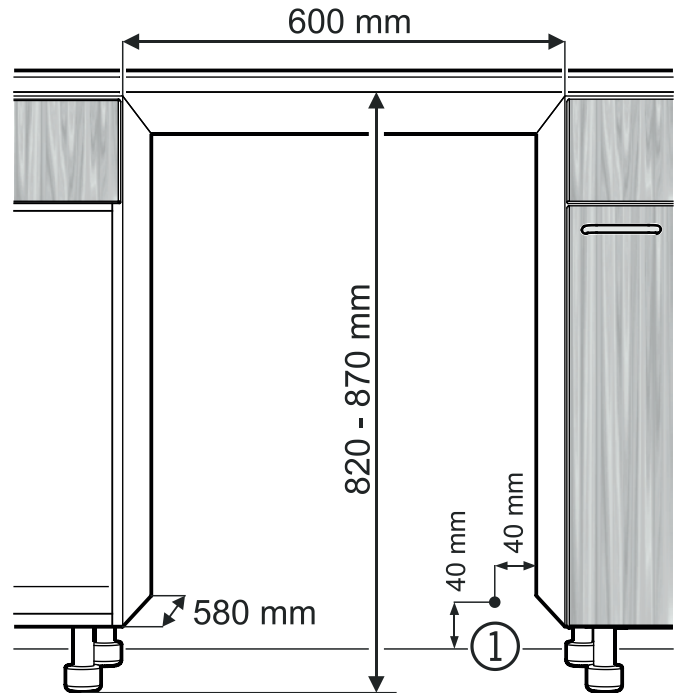
Installation dimensions

Important

In order to avoid any problems when installing the appliance and to avoid damage to the appliance, the following conditions must be complied with.

The floor on which the appliance stands must be horizontal and level.

The kitchen unit must be aligned horizontally and vertically.



① In this area, the power cord comes out of the appliance rear.

Free length of the power cord = **2000 mm**

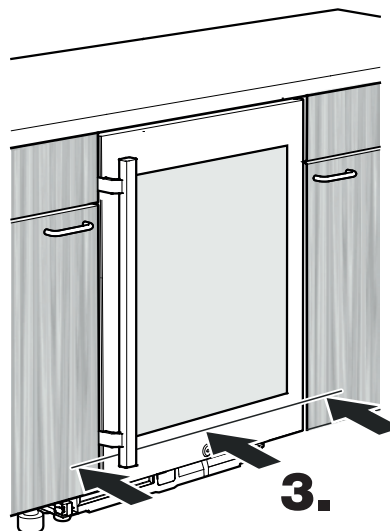
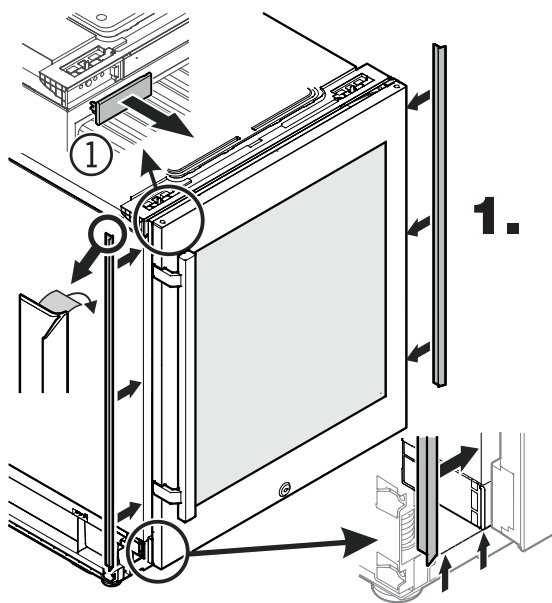
Choose the position of the socket considering these specifications.

The socket must not be situated behind the appliance and must be easily accessible.

Installing the appliance

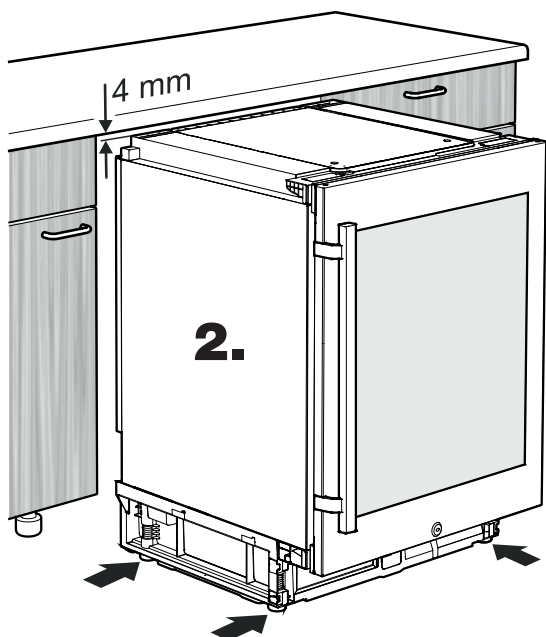
- 1.**
Remove cover ①.

Apply the cover strips to the leading edge of the appliance housing on the left and right.

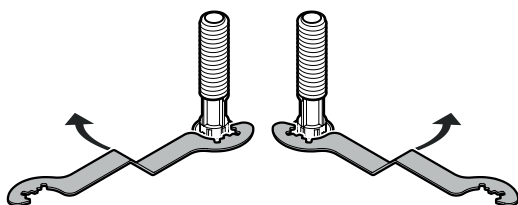


- 3.**
Slide in the appliance until the front surface of the appliance door is flush with the unit fronts.

When sliding in the appliance, make sure that the mains cable is not damaged!



- 2.**
Adjust the height of the appliance to 4 mm less than the recess height by turning the adjustable feet clockwise.

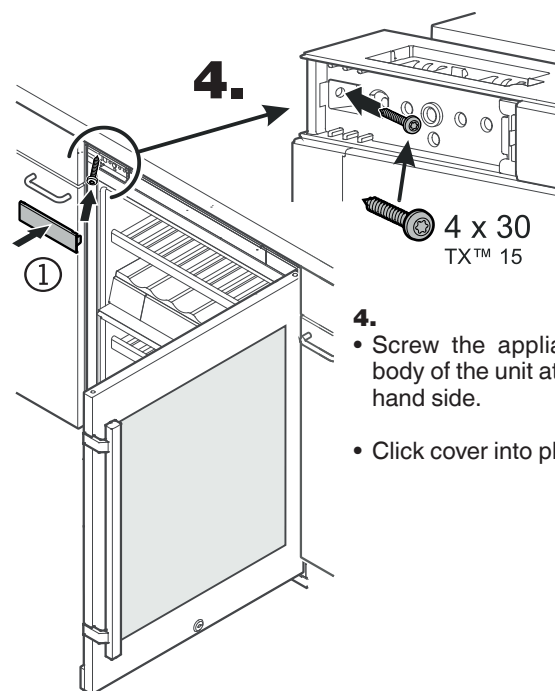


Turn the spanner anticlockwise to raise the appliance front and clockwise to lower it.

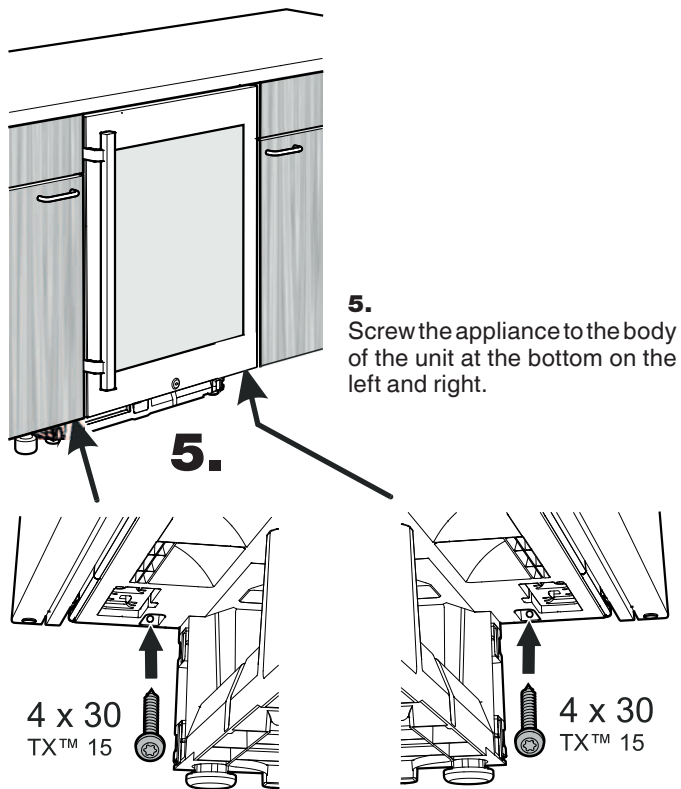
Position the spanner accordingly

Important

The appliance must be aligned horizontally and vertically. If the appliance is not level, the main body of the appliance can be deformed and the door will not close properly.



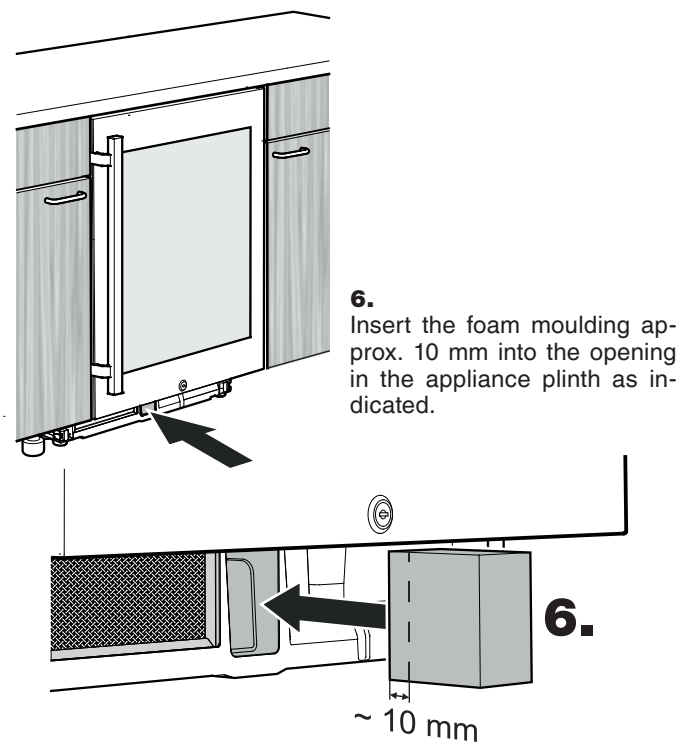
- 4.**
- Screw the appliance to the body of the unit at the top left-hand side.
 - Click cover into place again.



5. Screw the appliance to the body of the unit at the bottom on the left and right.

4 x 30
TX™ 15

4 x 30
TX™ 15



6. Insert the foam moulding approx. 10 mm into the opening in the appliance plinth as indicated.

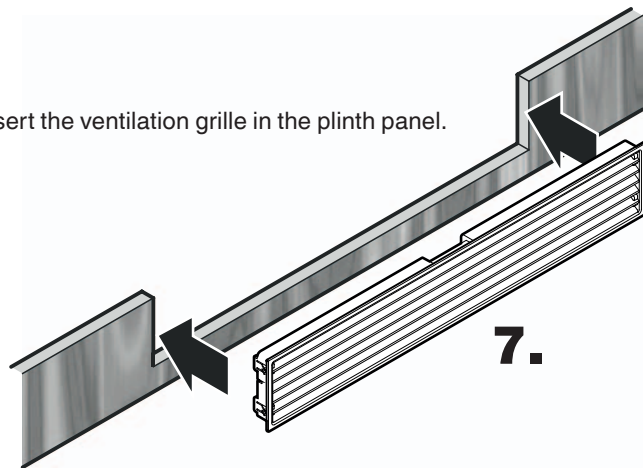
6.

~ 10 mm

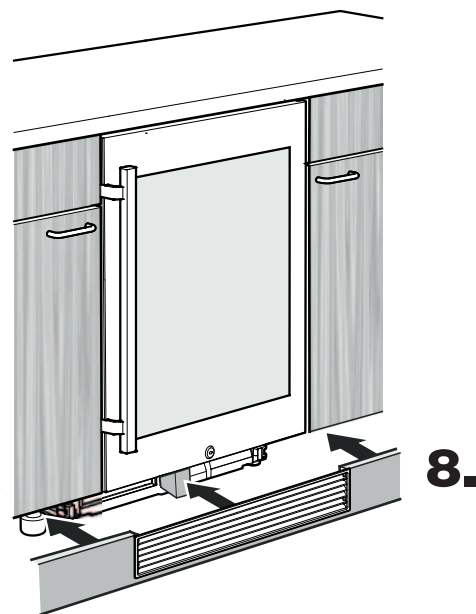
Important

If the foam moulding is not installed, the appliance will not achieve its full refrigeration performance during operation.

7. Insert the ventilation grille in the plinth panel.



7.



8.

8. Fit the plinth panel. In doing so, the foam moulding is pushed backwards into its final position.

Important

The foam moulding must be touching the ventilation grille.

Changing over door hinges

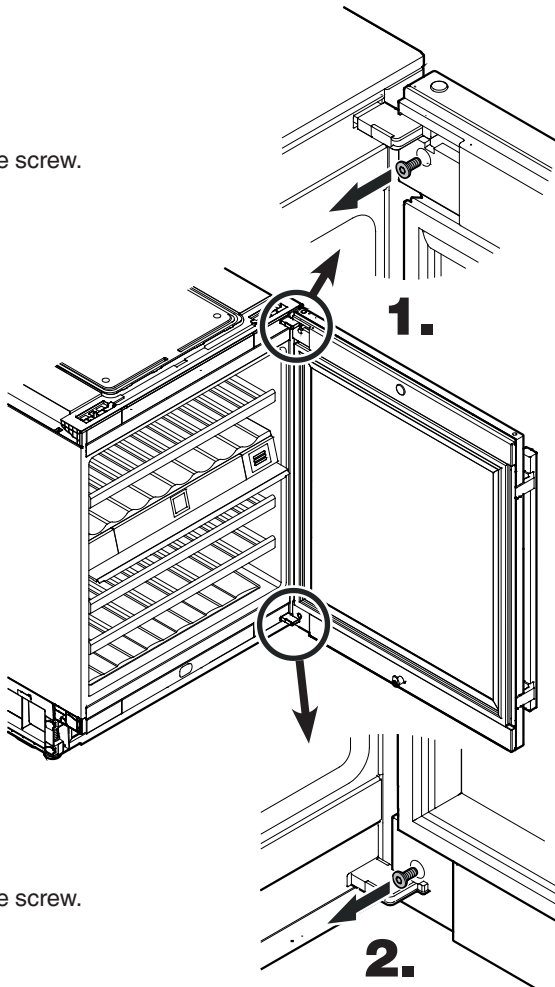
Door hinges should only be changed by a trained expert.
Changing the door hinges must be done by two people.

Note

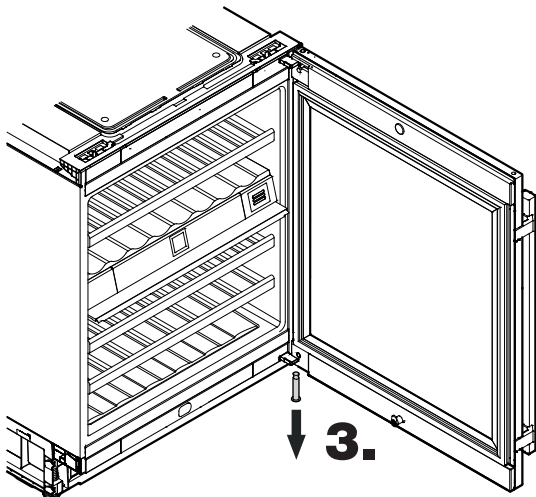
The following description depicts appliance UWT 1672.

Changing over the door hinges on appliance UWK 1752 is identical.

1. Remove screw.



2. Remove screw.

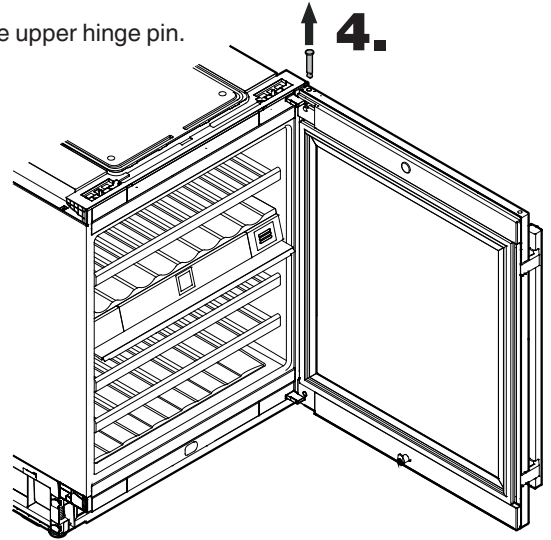


Important

The door must now be held secure
by somebody.

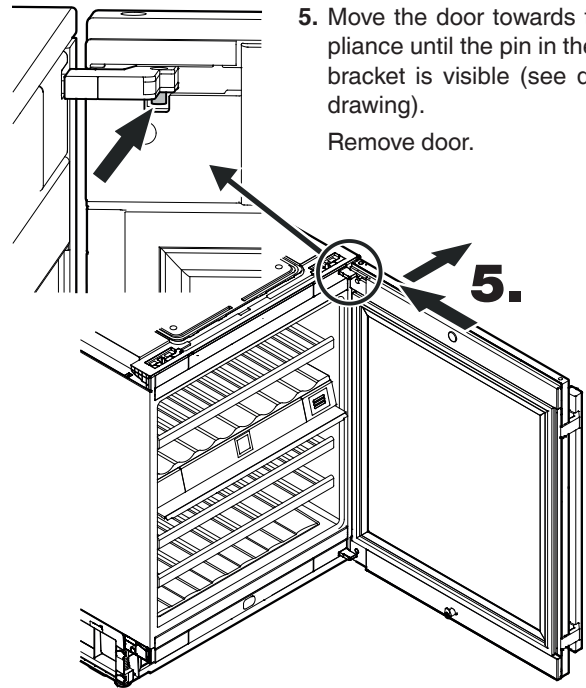
3. Pull out hinge pin.

4. Remove upper hinge pin.

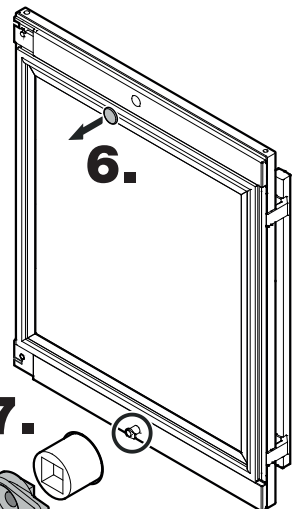


5. Move the door towards the appliance until the pin in the hinge bracket is visible (see detailed drawing).

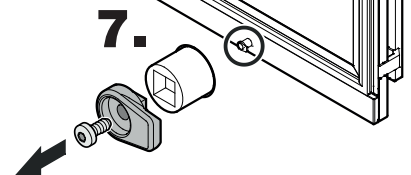
Remove door.

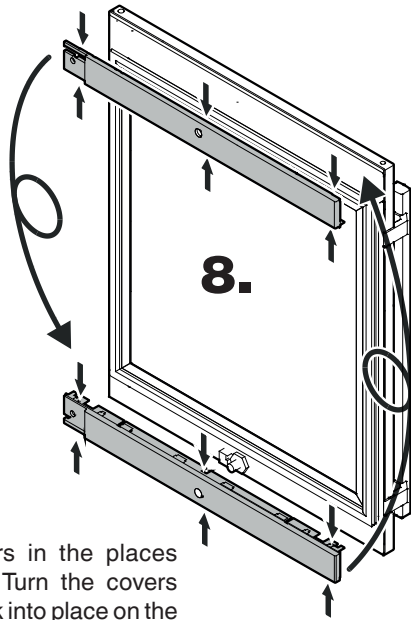


6. Remove cover.



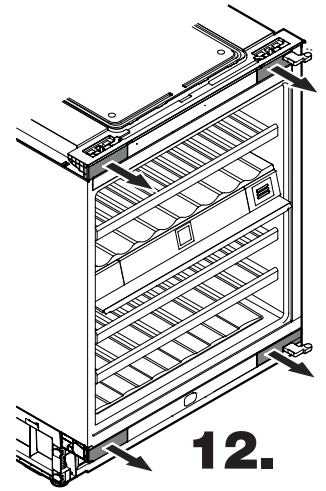
7. Unscrew door latch.



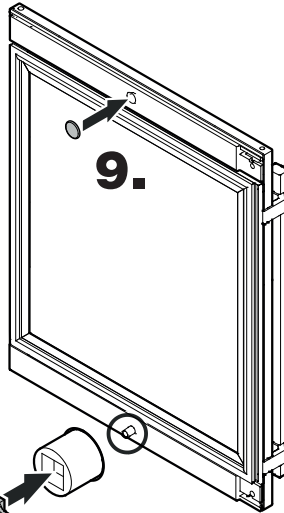


8. Compress the covers in the places shown and release. Turn the covers through 180° and click into place on the opposite side.

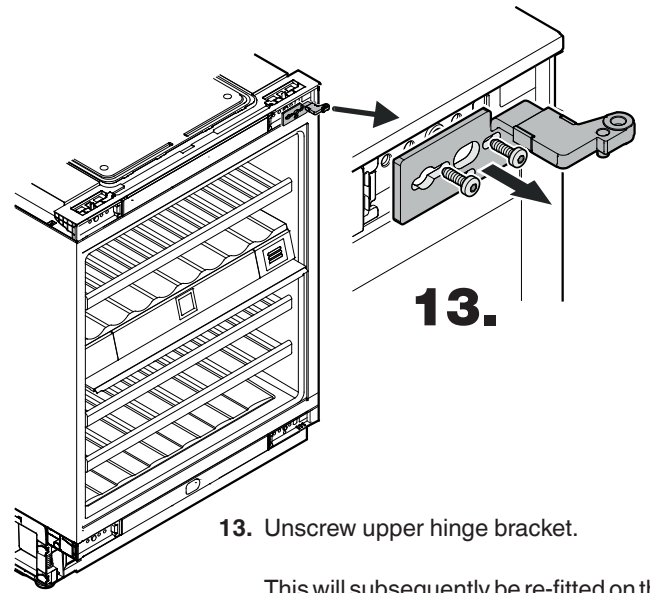
12. Remove the covers.



9. Click cover into place.



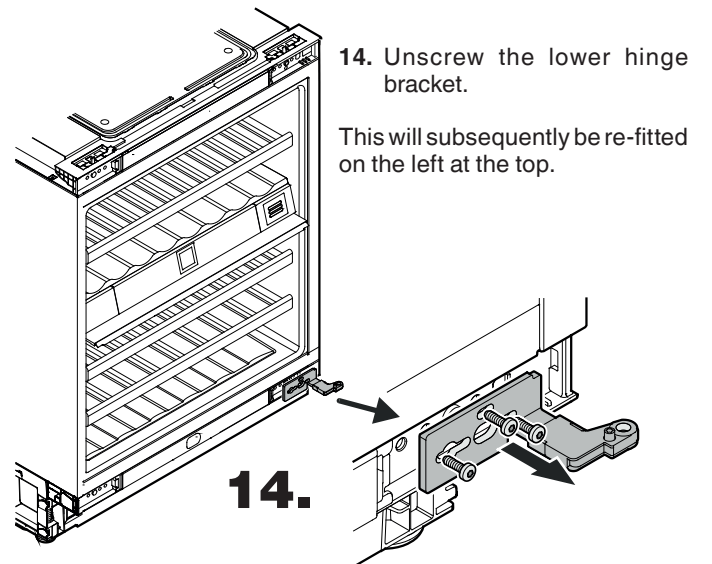
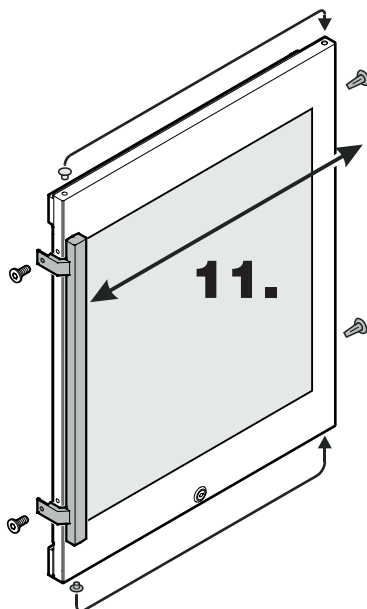
10. Screw on the door latch.



13. Unscrew upper hinge bracket.

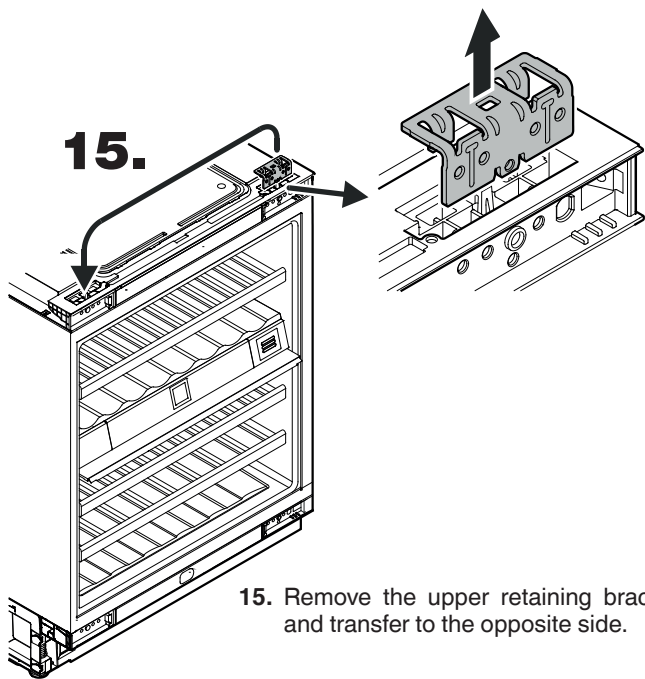
This will subsequently be re-fitted on the left at the bottom.

11. Transfer door handle and plugs to the opposite side.

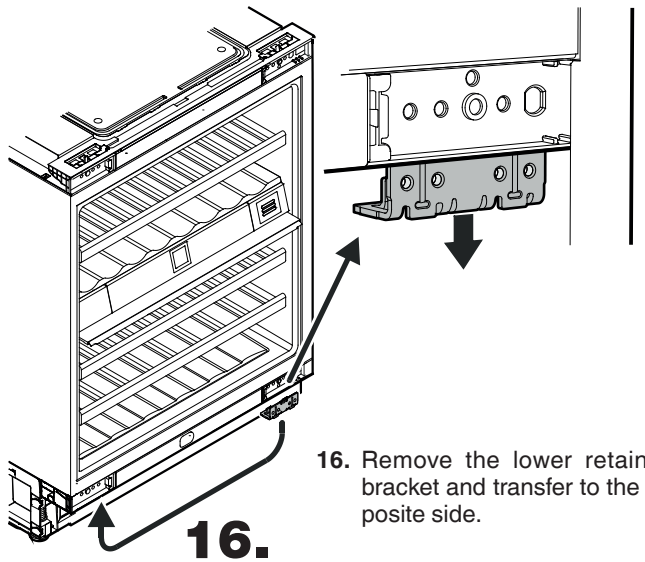


14. Unscrew the lower hinge bracket.

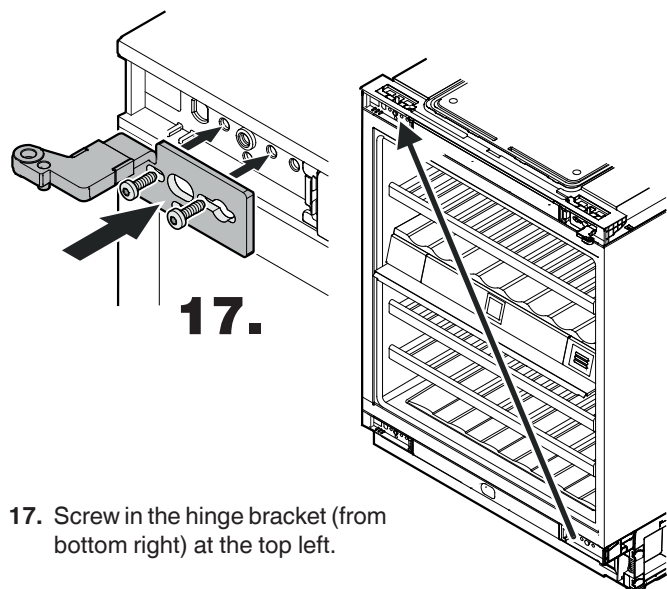
This will subsequently be re-fitted on the left at the top.



15. Remove the upper retaining bracket and transfer to the opposite side.

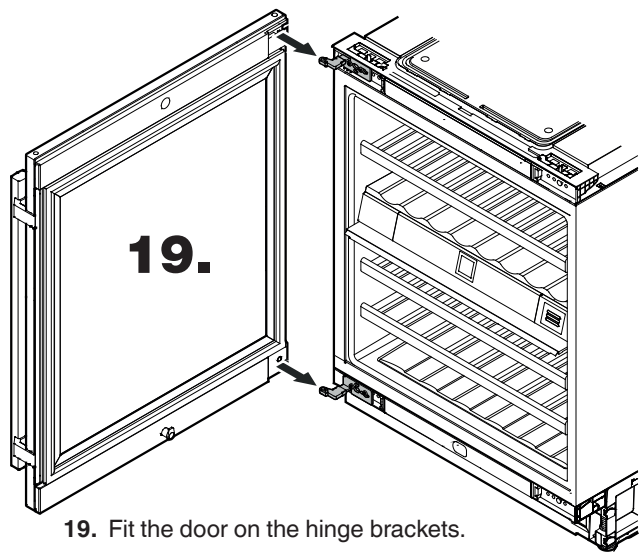
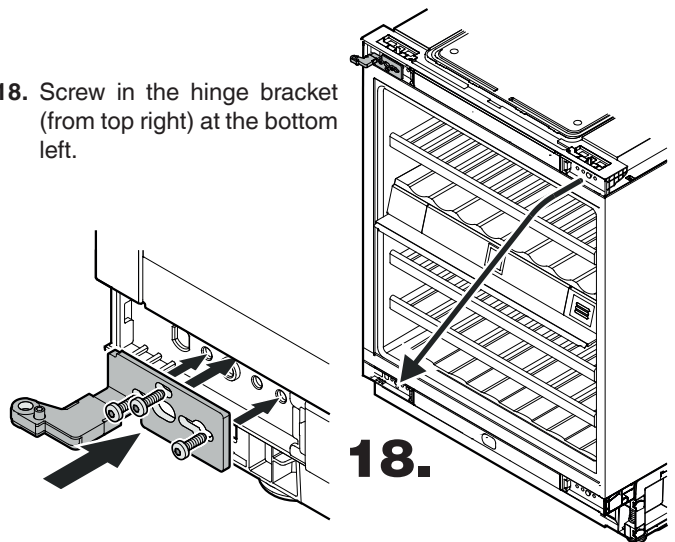


16. Remove the lower retaining bracket and transfer to the opposite side.



17. Screw in the hinge bracket (from bottom right) at the top left.

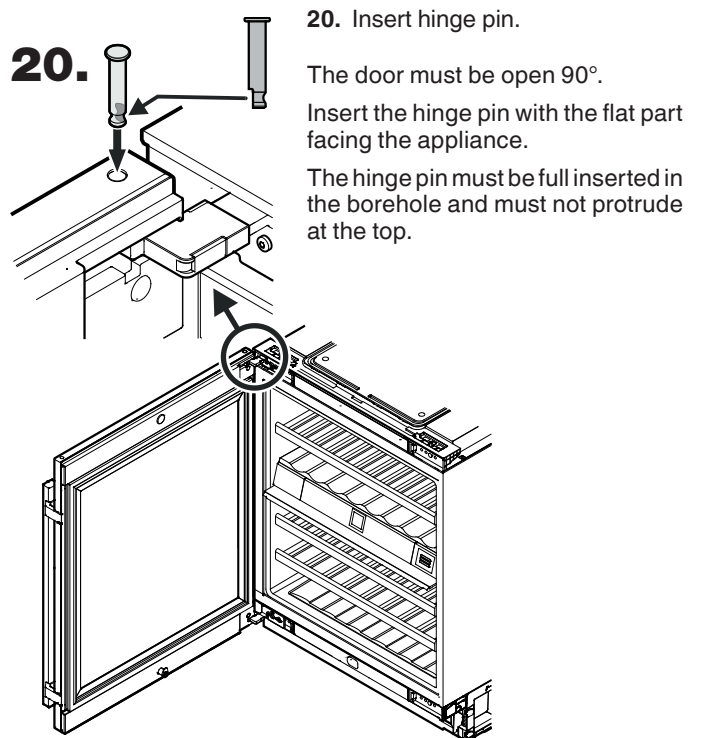
18. Screw in the hinge bracket (from top right) at the bottom left.



19. Fit the door on the hinge brackets.

Important

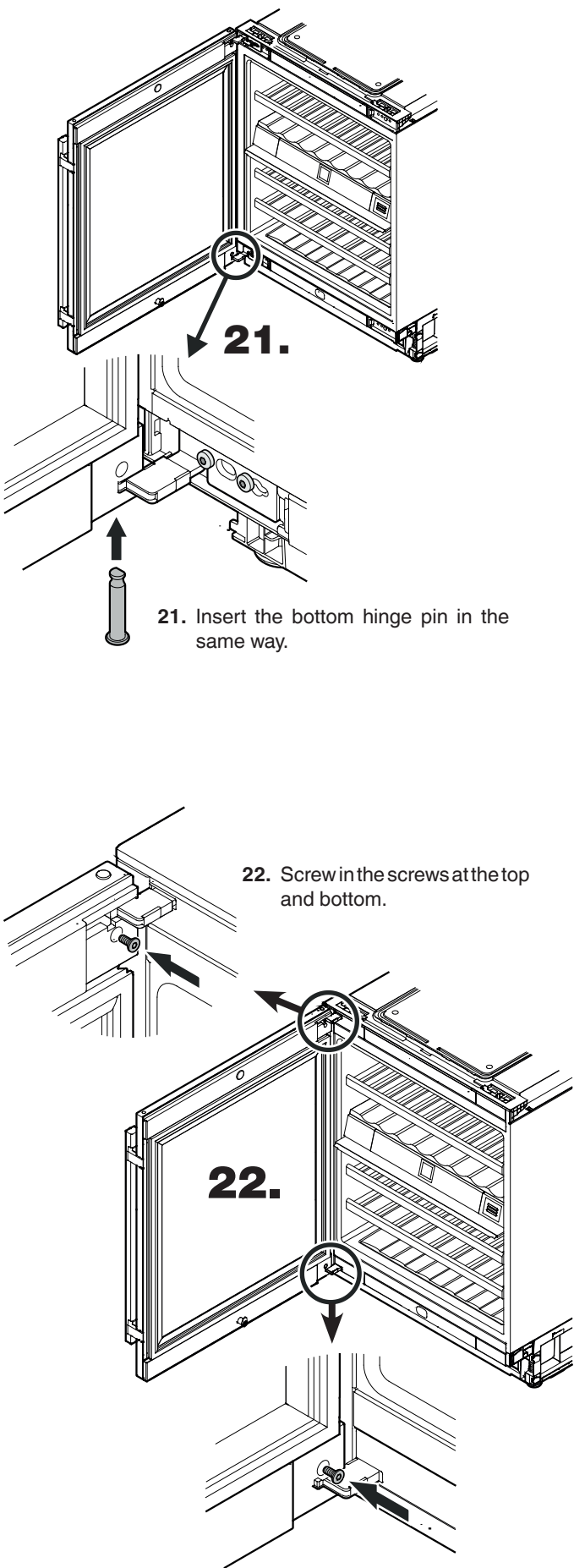
The door must now be held secure by somebody.



20. Insert hinge pin.

The door must be open 90°. Insert the hinge pin with the flat part facing the appliance.

The hinge pin must be full inserted in the borehole and must not protrude at the top.



21.

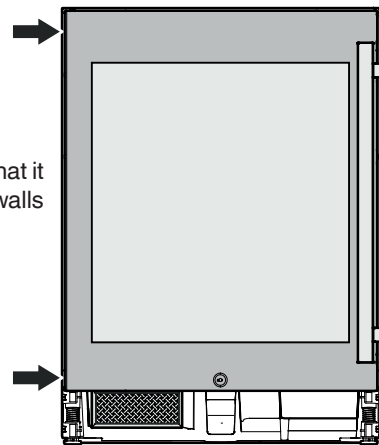
21. Insert the bottom hinge pin in the same way.

22. Screw in the screws at the top and bottom.

22.

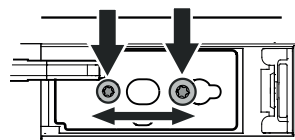
23.

23. Close door and check that it is aligned with the side walls of the appliance.



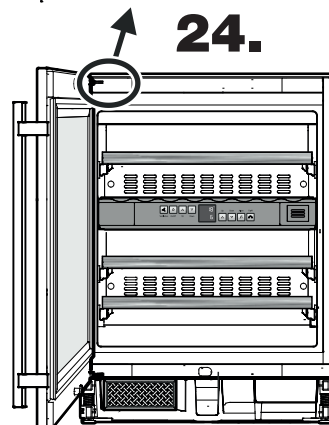
Adjusting the lateral tilt of the door

If the door is at an angle, adjust the angle.



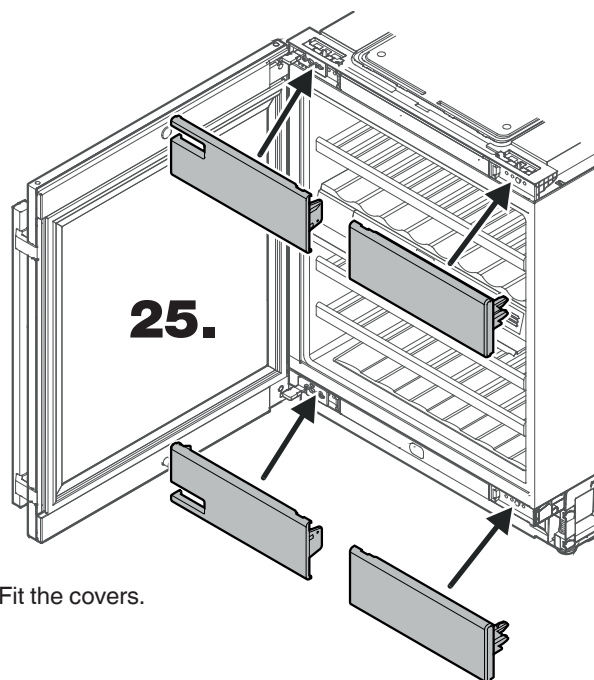
24. Undo screws and slide hinge bracket to the right or left. Tighten screws.

24.



25.

25. Fit the covers.





Liebherr Hausgeräte Lienz GmbH

Dr.-Hans-Liebherr-Strasse 1

A-9900 Lienz

Österreich

www.liebherr.com

