

7083 589-01

WT

Disposal notes

The appliance contains reusable materials and should be disposed of properly - not simply with unsorted household refuse. Appliances which are no longer needed must be disposed of in a professional and appropriate way, in accordance with the current local regulations and laws.



When disposing of the appliance, ensure that the refrigerant circuit is not damaged to prevent uncontrolled escape of the refrigerant it contains (data on type plate) and oil.

- Disable the appliance.
- Pull out the mains plug.
- Cut through the connection cable.

! WARNING

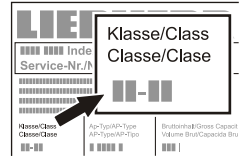
Danger of suffocation due to packing material and plastic film! Do not allow children to play with packaging material. Take the packaging material to an official collection point.

Climate rating

The climate rating indicates the room temperature at which the appliance may be operated in order to achieve full refrigeration performance.

The climate rating is indicated on the type plate.

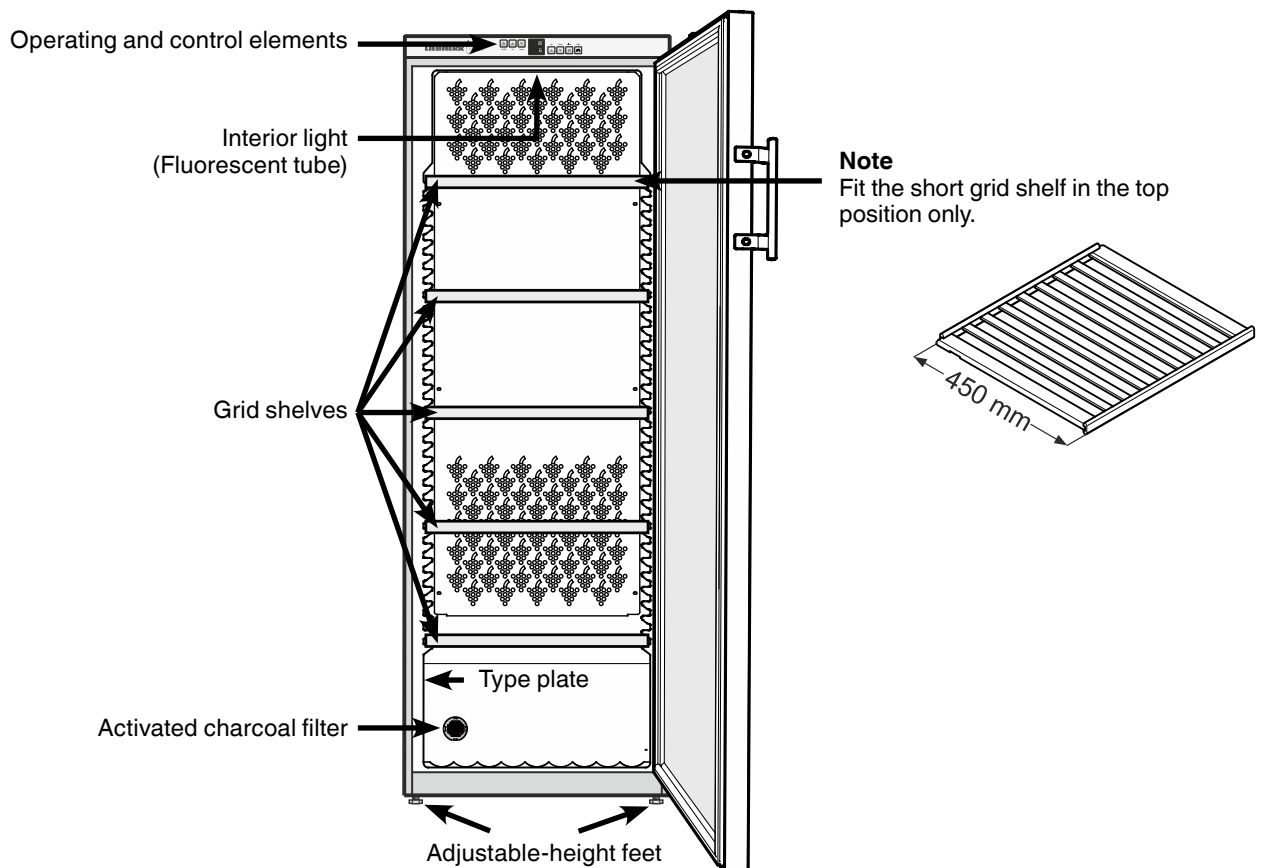
The position of the type plate is shown in the section entitled **Description of the appliance**.



Climate rating	Room temperature
SN	+10°C to +32°C
N	+16°C to +32°C
ST	+16°C to +38°C
T	+16°C to +43°C
SN-ST	+10°C to +38°C
SN-T	+10°C to +43°C

Do not operate the appliance outside the specified room temperature range.

Description of the appliance



Safety instructions and warnings

- To prevent injury or damage to the unit, the appliance should be unpacked and set up by two people.
- In the event that the appliance is damaged on delivery, contact the supplier immediately before connecting to the mains.
- To guarantee safe operation, ensure that the appliance is set up and connected as described in these operating instructions.
- Disconnect the appliance from the mains if any fault occurs. Pull out the plug, switch off or remove the fuse.
- When disconnecting the appliance, pull on the plug, not on the cable.
- Any repairs and work on the appliance should only be carried out by the customer service department, as unauthorised work could prove highly dangerous for the user. The same applies to changing the mains power cable.
- Do not allow naked flames or ignition sources to enter the appliance. When transporting and cleaning the appliance, ensure that the refrigerant circuit is not damaged. In the event of damage, make sure that there are no ignition sources nearby and keep the room well ventilated.
- Do not stand on the plinth, drawers or doors or use them to support anything else.
- This appliance can be used by children of 8 years old and over, and also by persons with restricted physical, sensory or mental capacity or lack of experience and knowledge, if they are supervised or have been instructed on safe use of the appliance and understand the resulting risks. Children must not be allowed to play with the appliance. Cleaning and user maintenance must not be carried out by children without supervision.
- Avoid prolonged skin contact with cold surfaces or chilled/frozen food. This could cause pain, numbness and frostbite. In the case of prolonged skin contact, protective measures should be taken, e.g. gloves should be worn.
- Do not consume food which has been stored for too long, as it could cause food poisoning.
- Do not store explosives or sprays using combustible propellants such as butane, propane, pentane, etc. in the appliance. Electrical components might cause leaking gas to ignite. You may identify such sprays by the printed contents or a flame symbol.
- Do not use electrical appliances inside the appliance.
- If you have a lockable appliance, do not keep the key near the appliance or within reach of children.
- The appliance is designed for use in enclosed areas. Do not operate the appliance outdoors or in areas where it is exposed to splash water or damp conditions.
- The fluorescent tube illuminates the interior of the appliance. It is not suitable for lighting a room.

Range of appliance use

The appliance is suitable solely for storing wine in a domestic environment or similar. This includes, for example, use

- in staff kitchenettes, bed and breakfast establishments,
- by guests in cottages, hotels, motels and other forms of accommodation,
- in catering and similar services in the wholesale trade.

Use the appliance solely as is customary within a domestic environment. All other types of use are inadmissible. The appliance is not suitable for storing and cooling medicines, blood plasma, laboratory preparations or similar substances and products covered by the 2007/47/EC Medical Devices Directive. Any misuse of the appliance may result in damage to or spoilage of stored goods. Furthermore, the appliance is not suitable for operation in potentially explosive atmospheres.

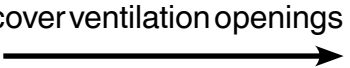
Saving energy

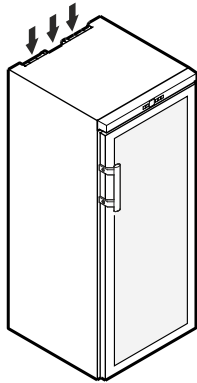
- Always ensure good ventilation. Do not cover ventilation openings or grille.
- Always keep fan louvres clear.
- Do not place appliance in areas of direct sunlight or next to a stove, heater or similar object.
- The energy consumption depends on the installation conditions, e.g. the ambient temperature.
- Keep the time the appliance is open to a minimum.

Accumulated dust increases the energy consumption:

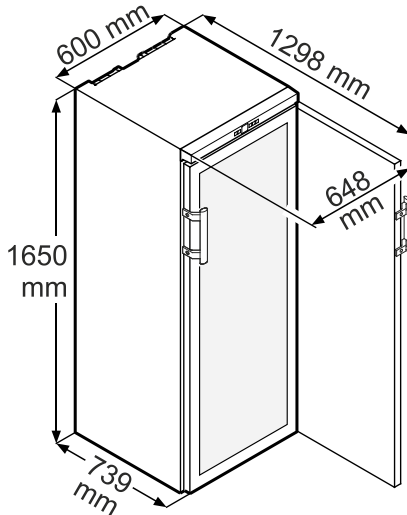
- Once a year, dust the refrigerating unit together with the metal grille of the heat exchanger at the back of the appliance.

Setting up

- Avoid positioning the appliance in direct sunlight or near cookers, radiators and similar sources of heat.
- The floor on which the appliance stands should be horizontal and level. Compensate for uneven floors with the adjustable feet.
- Do not cover ventilation openings or grille. 
- Standard EN 378 specifies that the room in which you install your appliance must have a volume of 1 m³ per 8 g of R 600a refrigerant used in the appliance, so as to avoid the formation of inflammable gas/air mixtures in the room where the appliance is located in the event of a leak in the refrigerant circuit. The quantity of refrigerant used in your appliance is indicated on the type plate on the inside of the appliance.
- Always install the appliance directly against the wall.



Appliance dimensions



Electrical connection

Only operate the appliance with **alternating current (AC)**.

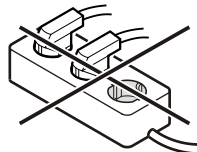
The permissible voltage and frequency are indicated on the type plate. The position of the type plate is shown in the section entitled **Description of the appliance**.

The socket must be properly earthed and protected by a fuse. The tripping current of the fuse must be between 10 A and 16 A.

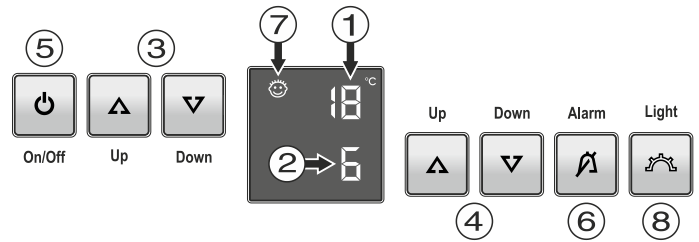
The socket must not be situated behind the appliance and must be easily accessible.

Do not connect the appliance using an extension cable or extension socket.

Do not use stand-alone inverters (conversion of direct current to alternating current/three-phase current) or energy-saving plugs. Risk of damage to the electronic control system!



Operating and control elements



- ① Upper compartment temperature display
- ② Lower compartment temperature display
- ③ Upper compartment temperature setting buttons
- ④ Lower compartment temperature setting buttons
- ⑤ On/Off button
- ⑥ Audible warning On/Off button
- ⑦ Child lock activated symbol
- ⑧ Interior light On/Off button

Switching the appliance on and off

Switching the appliance on

Press the **On/Off** button until the temperature display lights up.



On/Off

Switching the appliance off

Keep the **On/Off** button pressed for approx. 3 seconds so that the temperature display goes out.

Door open alarm

If the door is left open for more than 60 seconds, the audible warning signal will sound.

If the door must be opened for a lengthy period to place items into the appliance, cancel the audible warning signal by pressing the **Alarm** button.

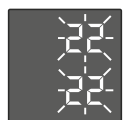


Alarm

The alarm switches back to standby when the door is shut.

Temperature alarm

If the temperatures in the interior are out of the permitted range, the audible warning signal will sound and the temperature display will flash.



After a lengthy power failure, the temperature in the interior may have risen to too high a level. After the power supply returns, the fall in temperature can be watched on the display.

- Cancel the audible warning signal by pressing the **Alarm** button.

The temperature display will stop flashing as soon as the temperature in the interior has reached the set value.

Temperature alarm after a fault in the appliance

If the appliance develops a fault, the temperature in the interior may rise too high or fall too low. The audible warning signal will sound and the temperature display will flash.

If the temperature displayed is too high (warm), first check whether the door is closed correctly.

If the temperature display continues to show a value that is too high or too low after one hour, contact the customer service department.

- Cancel the audible warning signal by pressing the **Alarm** button.

If **F1** or **F3** appears in the display, the appliance has suffered a fault. In this case, contact the customer service department.

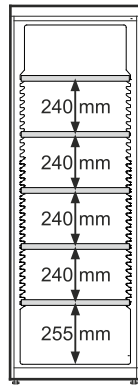
Multi-temperature wine cooling

Insert the grid shelves into the appliance as shown in the illustration.

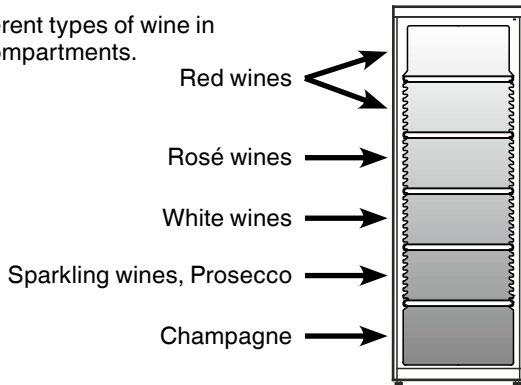
Insert the short grid shelf with a depth of 450 mm in the topmost position (see section entitled **Description of the appliance**).

With this multi-temperature wine cabinet, you can cool wines to the perfect temperature for drinking.

The lowest compartment has the lowest temperature. The temperature rises steadily up to the top compartment.



Store the different types of wine in the various compartments.



Setting the temperature

You can change the temperature in the top compartment using the **Up/Down** buttons on the left and the temperature in the bottom compartment using the **Up/Down** buttons on the right.



Increasing the temperature

Press the **Up** button.

Reducing the temperature

Press the **Down** button.

- When pressing one of the buttons for the first time, the display will start to flash.
- Pressing this button again enables you to change the temperature setting.
- The electronic controls will switch over automatically about 5 seconds after the last time you pressed the button, and the actual temperature will be displayed.

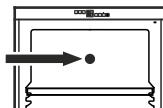
Setting range for top compartment

+16°C to +18°C.

Setting range for bottom compartment

+5°C to +7°C.

The temperature setting relates to the centre of the relevant compartment.



If the temperature in the top compartment is changed, the temperature progression in the upper section of the interior will change.

If the temperature in the bottom compartment is changed, the temperature progression in the lower section of the interior will change.

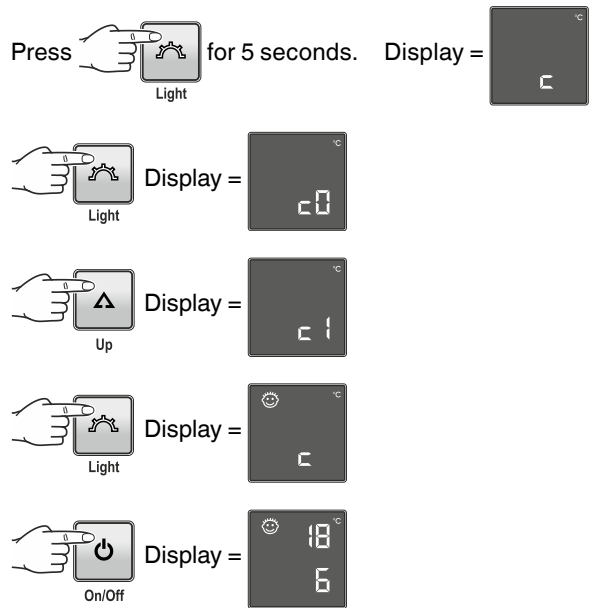
Note

If the **Light** button is pressed so that the interior light is permanently lit, the temperature in the top section will rise slightly.

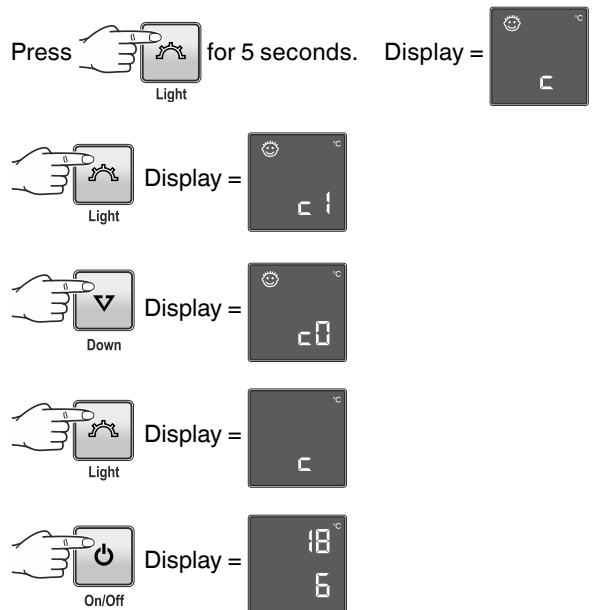
Additional functions

In set-up mode you can set the child lock and adjust the brightness of the display. The child lock is designed to protect the appliance from being switched off accidentally.

Activating the child lock





Deactivating the child lock



Additional functions

Adjusting the display brightness

Press  for 5 seconds. Display = 

Press  Display = 

Press  Display = 

Use buttons  and  to select the desired setting.

h1 = minimum brightness
h5 = maximum brightness

Press  Display = 

Press  Display = 

The adjusted brightness will be activated after one minute.

Note

If a button is pressed, the display lights up for one minute at maximum brightness.



When commissioning the appliance, the adjusted brightness will only be active once the set interior temperature of the appliance has been reached.


Demo mode

Demo mode can be activated for presenting the appliance at exhibitions or in salesrooms as though in normal operating mode.

When in this mode, the cooling circuit is switched off!

If this mode is activated by accident, it can be deactivated as detailed below.

Press  +  for 5 seconds.

Display = 

Press  Display = 

The refrigeration unit switches on.
The temperature display flashes.

The appliance is now in normal operating mode.

Interior light

The interior light will always switch on when the appliance door is opened.

Press the **Light** button if you want the interior light to be on even when the door is closed.



Changing the tube

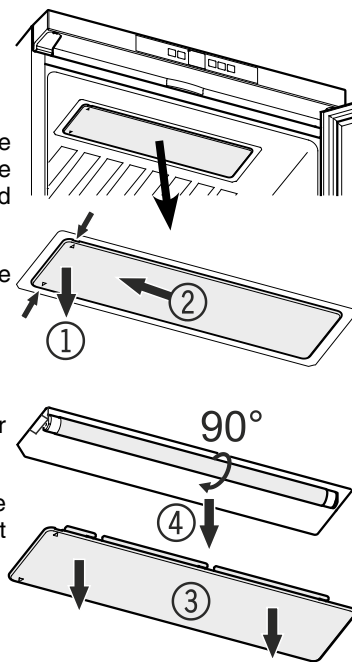
Pull out the mains plug!

① Pull the left-hand side of the light cover downwards. There are notches at the front and rear for this purpose.

② Slide the light cover to the left.

③ Remove the light cover downwards.

④ Turn the fluorescent tube through 90° and remove it downwards.



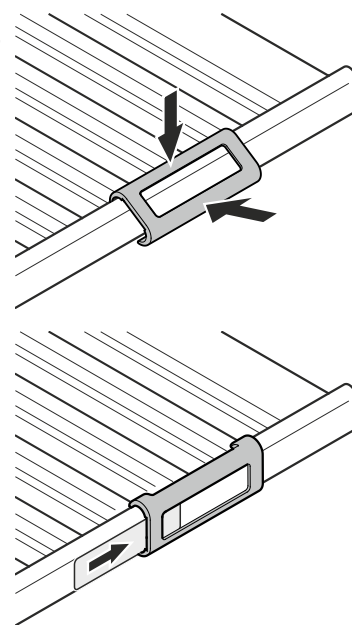
Fit the new fluorescent tube and turn it through 90°.

Fit the cover and slide it to the right until it engages.

Labels

The appliance is supplied with a label holder with labels for each shelf. Use these to label the type of wine stored on each shelf.

Additional labels can be obtained from your dealer.

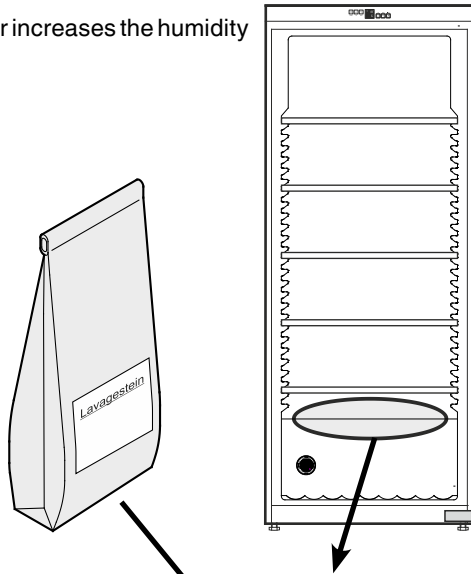


Click the label holder into place and slide the label in from the side.

Humidifier

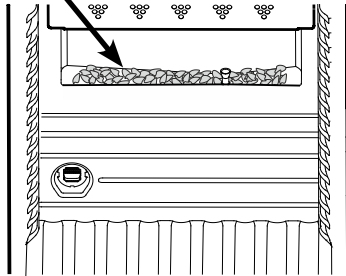
The right humidity is vitally important for the proper storage of wine.

A special humidifier increases the humidity in the interior.



Spread out the supplied lava stones in the appliance's defrost drain gully. As you insert the stones, ensure that you do not block the drain tube.

Then fill the defrost drain gully to the top of the drain tube with water.



In normal operation, the lava stones are kept moist by the defrost water in the appliance.

If the humidity at the place of installation is high, you may expect that the humidity in the appliance will be raised. This may result in the labels peeling.

Depending on the type of label adhesive, this may result in slight mould formation. This can be rectified by carefully cleaning any adhesive residues off the bottles.

Air exchange with activated charcoal filter

The way in which wines continue to mature depends on the ambient conditions. The quality of the air is therefore decisive for preserving the wine.

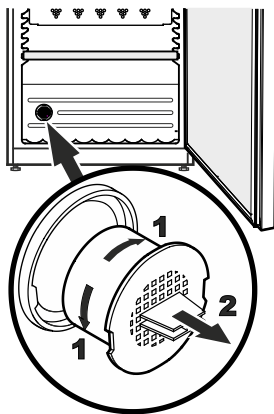
We recommend that you replace the illustrated filter once a year. Filters can be obtained from your dealer.

Changing the filter:

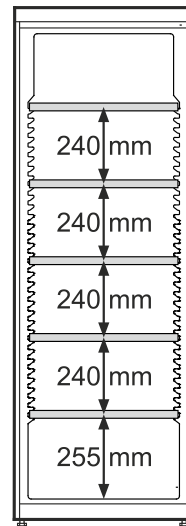
Take the filter by the handle. Turn it 90° to the left or right and remove.

Inserting the filter:

Insert with the handle in a vertical position. Turn it 90° to the left or right until it clicks into place.



Storage diagrams for 750 ml Bordeaux bottles

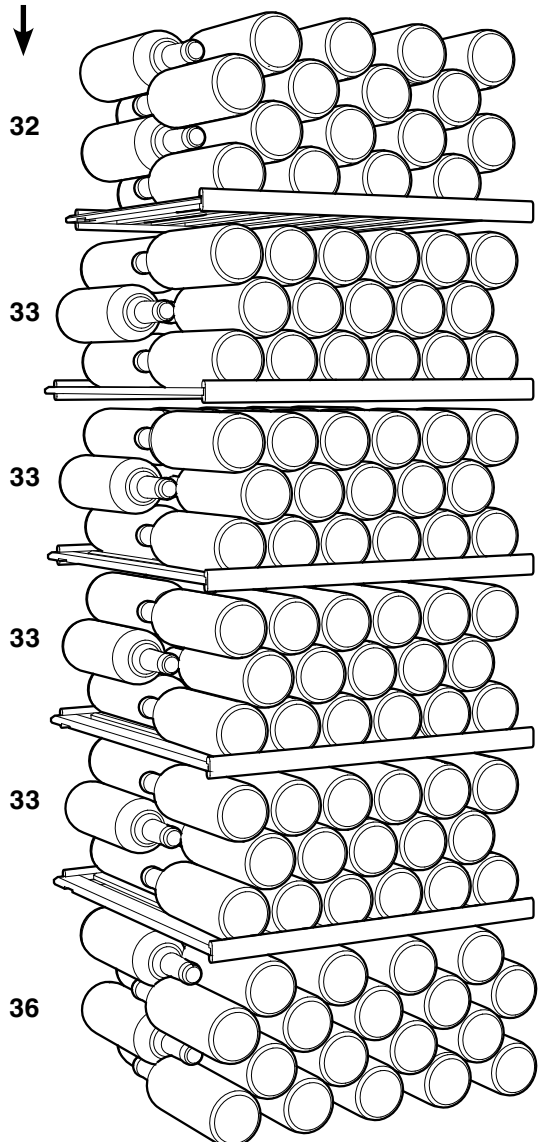


The storage capacity stated is only possible with the grid shelves in this configuration.

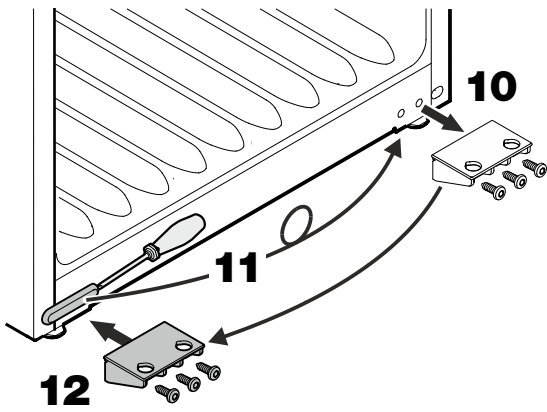
⚠ Important

The maximum load per grid shelf is 60 kg.

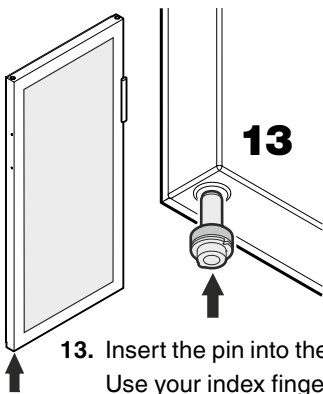
Number of bottles



Total 200 bottles



- 10. Unscrew hinge bracket.
- 11. Remove the cover, turn it through 180° and re-fit it on the opposite side.
- 12. Screw hinge bracket into place.



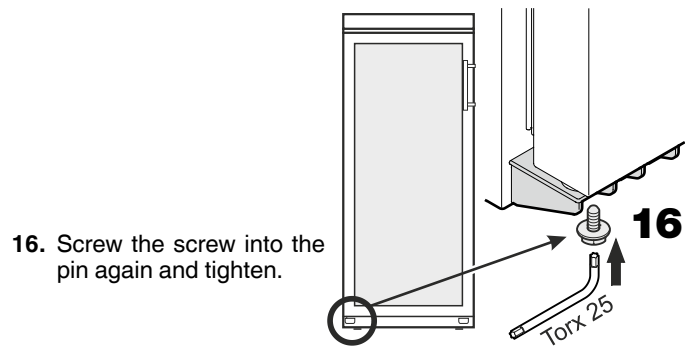
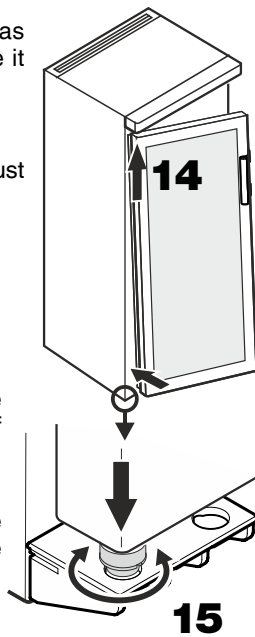
- 13. Insert the pin into the left-hand door mounting.
Use your index finger to hold the pin while you are assembling the door.

- 14. Locate the door on the upper pin as shown in the illustration and guide it to the lower hinge bracket.

Important
As a result of its heavy weight, the door must be held secure by one person.

- 15. Lift the door upwards and turn the pin until it fits into the bore hole of the hinge bracket.

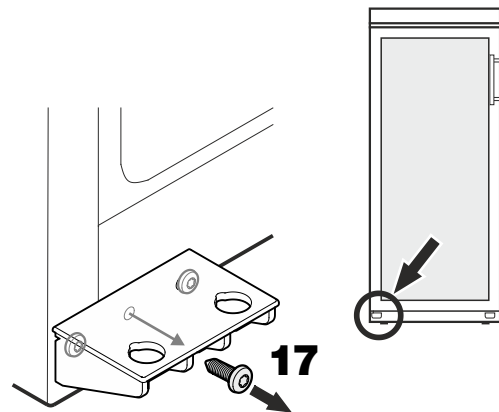
Slowly lower the door downwards. The lower part of the pin must be fully engaged in the bore hole of the hinge bracket.



- 16. Screw the screw into the pin again and tighten.

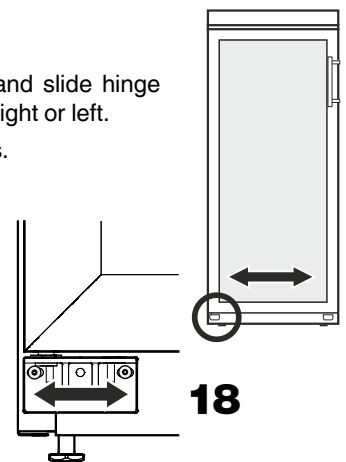
Adjusting the lateral tilt of the door

If the door is at an angle, adjust the angle.



- 17. Remove middle screw from hinge bracket.
This screw is no longer needed.

- 18. Undo screws and slide hinge bracket to the right or left.
Tighten screws.



Shutting your appliance down

If your appliance is to be shut down for any length of time, switch it off and disconnect the plug or switch off or unscrew the fuse. Clean the appliance and leave the door open in order to prevent unpleasant smells.

The appliance complies with the relevant safety regulations and EC Directives 2004/108/EC and 2006/95/EC.