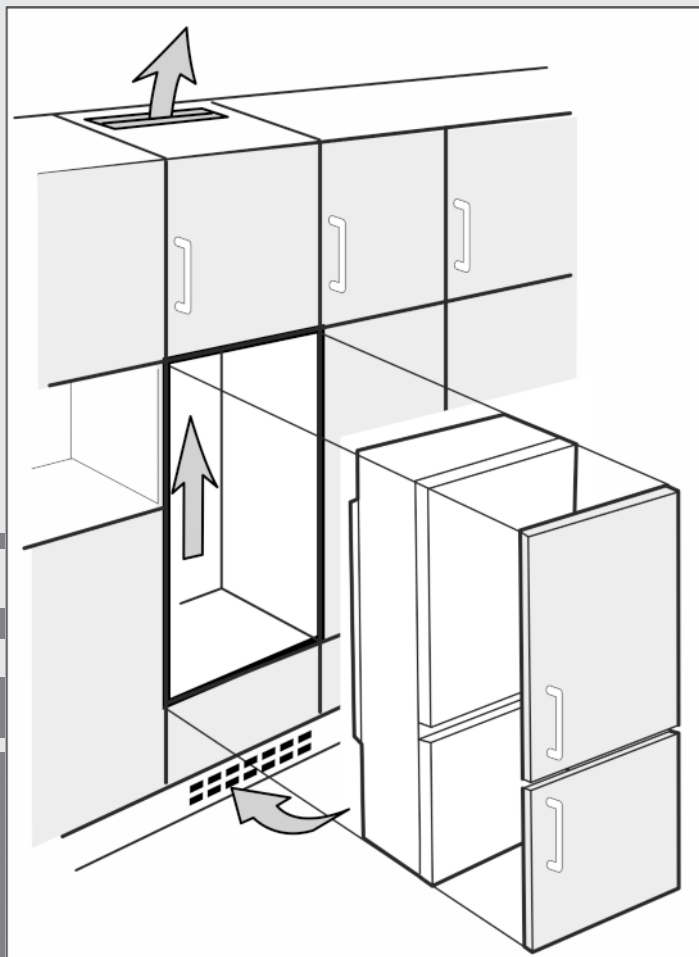


# Installation instructions

Combined fridge-freezer for integrated use, door slider



EN




231116 **7088082 - 00**

IC..S ... LC/LP

# LIEBHERR

# General safety information

## Contents

1	General safety information.....	2
2	Transporting the appliance.....	2
3	Installing the appliance.....	2
4	Appliance dimensions.....	3
5	Recess dimensions.....	3
6	Ventilation of the kitchen unit.....	4
7	Changing over door hinges.....	4
8	Installing the appliance in the recess.....	4
9	Disposing of packaging.....	5
10	Connecting the appliance.....	5
	Illustrated installation instructions.....	6

The manufacturer works constantly on the further development of all the types and models. Therefore please understand that we have to reserve the right to make design, equipment and technical modifications.




To get to know all the benefits of your new appliance, please read the information contained in these instructions carefully.

The instructions apply to several models. Differences may occur. Text relating only to specific appliances is marked with an asterisk (\*).

Instructions for action are marked with a ►, the results of action are marked with a ▢.

## 1 General safety information

- Only install, connect and dispose of the appliance according to the instructions. Take particular note of “Recess dimensions” (see 5) and “Ventilation of the kitchen unit” (see 6) .
- The socket must be easily accessible so that the appliance can be quickly disconnected from the supply in an emergency. It must be outside the area of the rear of the appliance.

	DANGER	identifies a situation involving direct danger which, if not obviated, may result in death or severe bodily injury.
	WARNING	identifies a dangerous situation which, if not obviated, may result in death or severe bodily injury.
	CAUTION	identifies a dangerous situation which, if not obviated, may result in minor or medium bodily injury.
	NOTICE	identifies a dangerous situation which, if not obviated, may result in damage to property.
	Note	identifies useful information and tips.

## 2 Transporting the appliance



### CAUTION

Risk of injury and danger of damage as a result of incorrect transport!

- Transport the appliance in a packed condition.
- Transport the appliance upright.
- Do not transport the appliance without assistance.

## 3 Installing the appliance



### WARNING

Risk of fire due to short circuit!

If the mains cable/connector of the appliance or of another appliance touch the rear of the appliance, the mains cable/connector may be damaged by the appliance vibrations, leading to a short circuit.

- Stand the appliance so that it is not touched by connectors or main cables.
- Do not plug the appliance or any others into sockets located near the rear of the appliance.



### WARNING

Fire hazard due to dampness!

If live parts or the mains lead become damp this may cause short circuits.

- The appliance is designed for use in enclosed areas. Do not operate the appliance outdoors or in areas where it is exposed to splash water or damp conditions.
- Only use the appliance when it is installed.



### WARNING

Fire hazard due to refrigerant!

The refrigerant R 600a is environmentally friendly but flammable. Escaping refrigerant may ignite.

- Do not damage the piping of the refrigeration circuit.



### WARNING

Fire hazard and danger of damage!

- Do not place appliances emitting heat e.g. microwaves, toasters etc. on the appliance!

### NOTICE

Risk of damage due to condensate!

- Do not install the appliance directly alongside a further refrigerator/freezer.



### WARNING

Blocked ventilation openings pose a risk of fire and damage!

- Always keep the ventilation openings clear. Always ensure that the appliance is properly ventilated!

- In the event that the appliance is damaged, contact the supplier immediately before connecting to the mains.
- The floor at the site must be flat and level.
- Do not install the appliance in a location where it is exposed to direct radiation of the sun, next to a cooker, heater and similar.
- Do not install the appliance alone: it is best to work together with two or more people.

- The more R 600a refrigerant there is in the appliance, the larger the room in which the appliance is standing needs to be. In rooms that are too small, a flammable mix of gas and air may be created if there is a leak. According to the EN 378 standard, every 11 g of R 600a refrigerant requires at least 1 m<sup>3</sup> space in the room for the appliance. The amount of refrigerant in your appliance is on the type plate inside the appliance.
- If the appliance is installed in a very damp environment, condensed water may form on the outside of the appliance. Always make sure that there is good ventilation - both at air inlet and outlet - at the site of installation.

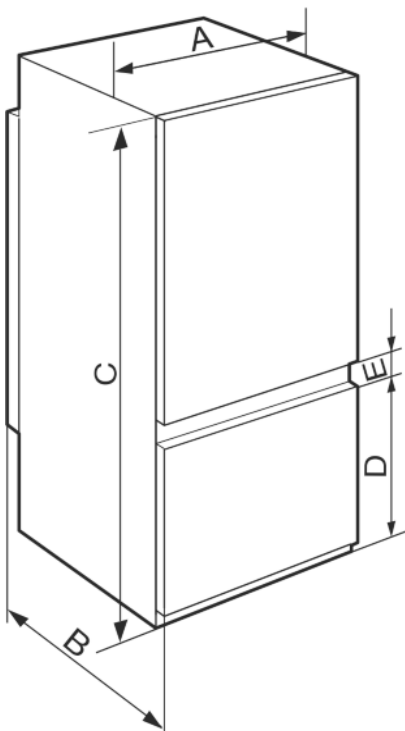
**After installation:**

- ▶ Remove protective films, adhesive tapes and transport lock parts etc.

**Note**

- ▶ Clean the appliance (see **Operating Instructions, Chapter "Cleaning the appliance"**).

## 4 Appliance dimensions



	A (mm)	B (mm)	C (mm)	D (mm)	E (mm)
ICUS 29..	540	544	1572	523	67
ICUS 32.., ICS 32.., ICBS 32..	540	544	1770	523	67
ICUS 33.., ICUNS 33.., ICS 33.., ICBS 33.., ICNS 33..	540	544	1770	669	67

Fig. 1

## 5 Recess dimensions

The appliance is built-in and therefore completely enclosed by a kitchen unit. The kitchen unit concerned must be built exactly to the prescribed dimensions and allow for sufficient ventilation, both at air inlet and outlet, to ensure proper appliance operation.

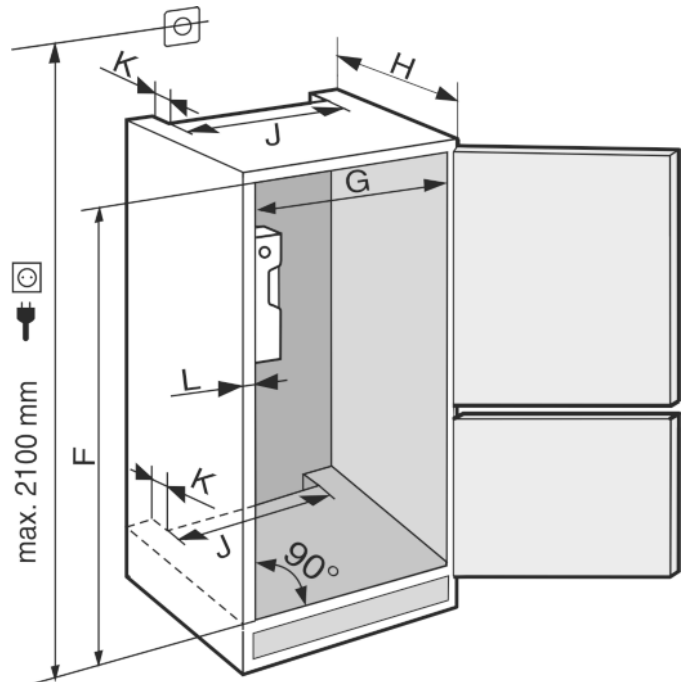


Fig. 2

	F (mm)	G (mm)	H (mm)	J (mm)	K (mm)	L (mm)
ICUS 29..	1574 — 1590					
ICUS 32.., ICS 32.., ICBS 32.., ICUS 33.., ICUNS 33.., ICS 33.., ICBS 33.., ICNS 33..	1772 — 1788	560 — 570	min. 550, 560 recommended	min. 500	min. 40	max. 19

The specified energy consumption applies to a unit depth of 560 mm. The appliance will work properly at a unit depth of 550 mm, but at a slightly higher energy consumption.

- ▶ Check the wall thickness of the adjoining cabinets: It must be min. 16 mm thick.
- ▶ Only install the appliance in robust, stable kitchen units. Secure the units against tipping.
- ▶ Align the kitchen unit using a spirit level and marking square and if necessary compensate with shims.
- ▶ Ensure that the floor and walls of the unit are at right angles to one another.

# Ventilation of the kitchen unit

## 6 Ventilation of the kitchen unit

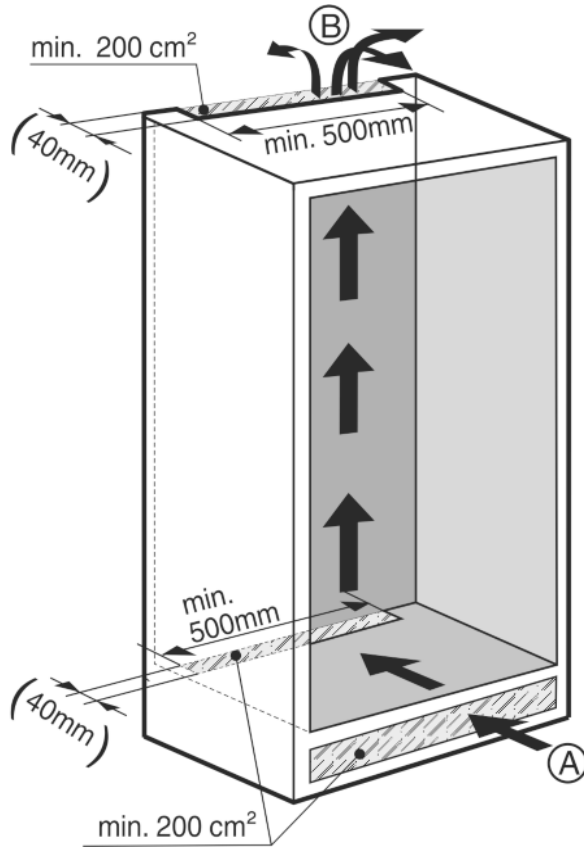


Fig. 3

- There must be an effective ventilation shaft of at least 200 cm<sup>2</sup> per appliance at the air inlet Fig. 3 (A) and outlet Fig. 3 (B) vent.
- The principle applies that the larger the ventilation shaft, the more energy-saving the operation of the appliance.
- The depth of the ventilation shaft at the back of the unit must be at least 40 mm thick.

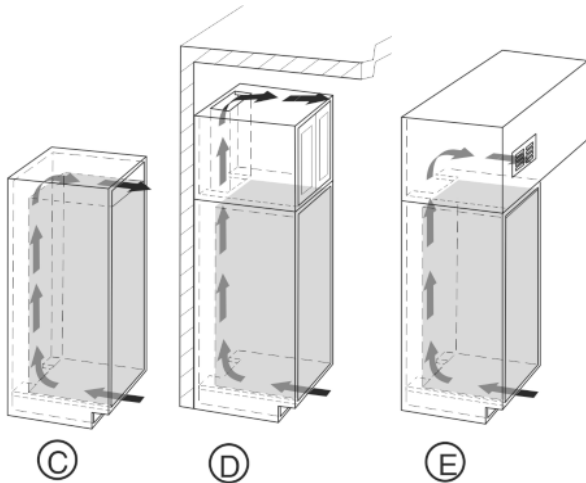


Fig. 4

- The upper ventilation shaft can either be positioned directly above the appliance with an optional ventilation grille Fig. 4 (C), close to the ceiling above the unit Fig. 4 (D) or as an air outlet opening in a false ceiling Fig. 4 (E).

## 7 Changing over door hinges



### WARNING

Risk of injury through door dropping out!  
If the fastening components are not screwed in tightly enough, the door may drop out. This can lead to serious injury. What is more, the door may also not close fully, so that the appliance may not refrigerate properly.

- Screw the bottom and top turn hinges tightly into place (with 4 Nm).



There is a risk of injury during this stage! Please observe the safety instructions!



The instructions apply to several models. Only carry out this step if it is relevant for your appliance.



Choose between the alternatives given.



Loosen the screws only, do not undo them all the way.



Check the screws and tighten if necessary.

- While changing over the door hinges, observe the safety instructions above and also the information in the symbols key.

Change the hinges over as shown at the end of the book.



## 8 Installing the appliance in the recess



### WARNING

Fire hazard from short-circuiting!

- When pushing the appliance into the recess, take care not to crush, jam or damage the mains power cable.
- Do not operate the appliance with a defective mains power cable.



There is a risk of injury during this stage! Please observe the safety instructions!



The instructions apply to several models. Only carry out this step if the appliance is equipped with the corresponding feature.



Choose between the alternatives given.



Loosen the screws only, do not undo them all the way.



Check the screws and tighten if necessary.

- Please take note of the information in the symbols key during installation.

Install the appliance into the recess as shown at the end of the book.



## 9 Disposing of packaging



### WARNING

Danger of suffocation due to packing material and plastic film!  
▶ Do not allow children to play with packing material.

The packaging is made of recyclable materials:

- corrugated board/cardboard
- expanded polystyrene parts
- polythene bags and sheets
- polypropylene straps
- nailed wooden frame with polyethylene panel\*



▶ Take the packaging material to an official collecting point.

## 10 Connecting the appliance

### NOTICE

Failure to connect properly  
Damage to the electronics.

- ▶ Do not use a standalone inverter.
- ▶ Do not use an energy saving plug.



### WARNING

Failure to connect properly  
Fire.

- ▶ Do not use an extension cable.
- ▶ Do not use distributor blocks.

The type of current (alternating current) and voltage at the installation site have to conform with the data on the type plate (see Appliance at a glance).

The socket must be properly earthed and fused. The tripping current for the fuse must be between 10 A and 16 A.

The socket must be easily accessible so that the appliance can be quickly disconnected from the supply in an emergency. It must be outside the area of the rear of the appliance.

- ▶ Check the electrical connection.
- ▶ Plug in the power plug.



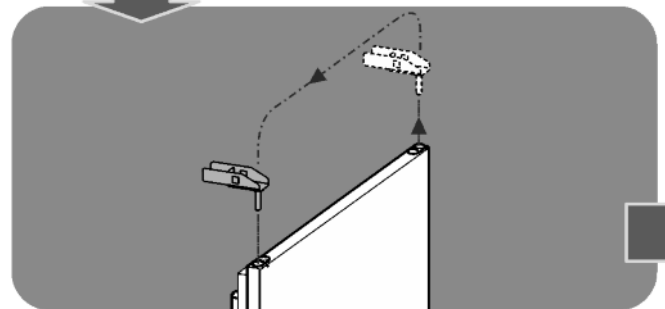
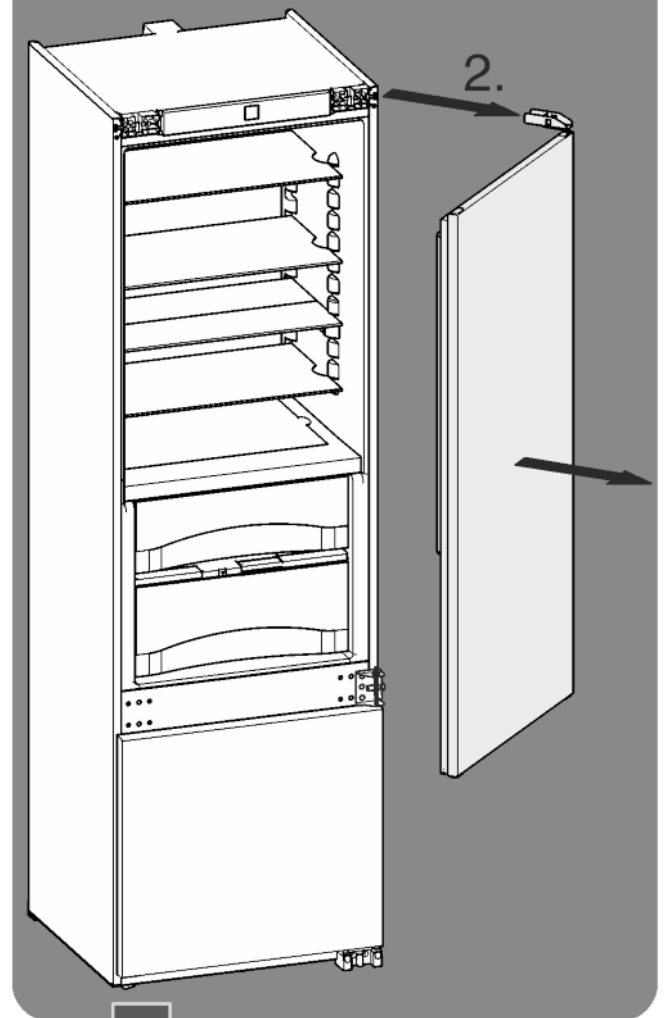
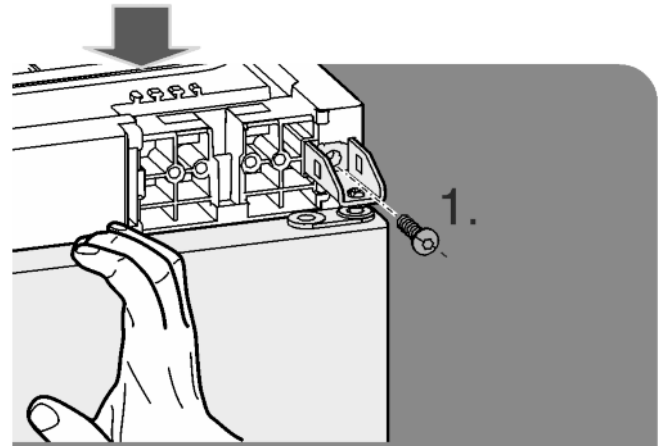
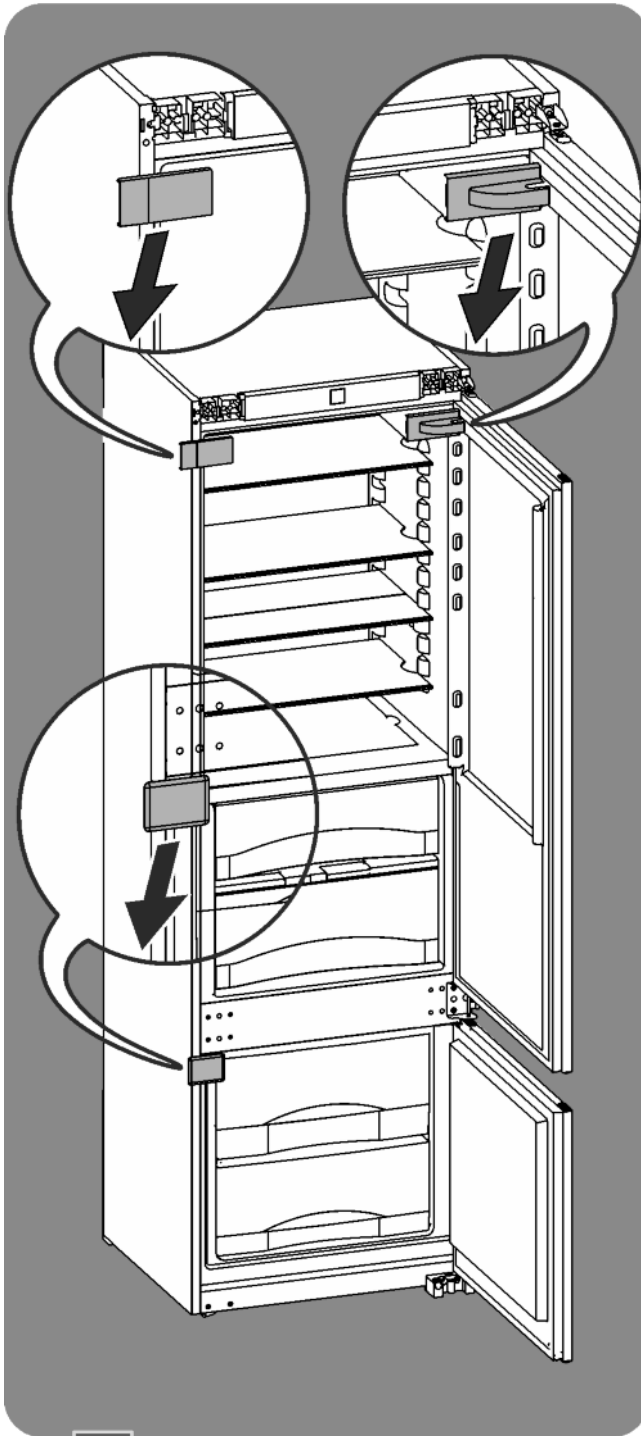
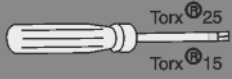
Türanschlagwechsel

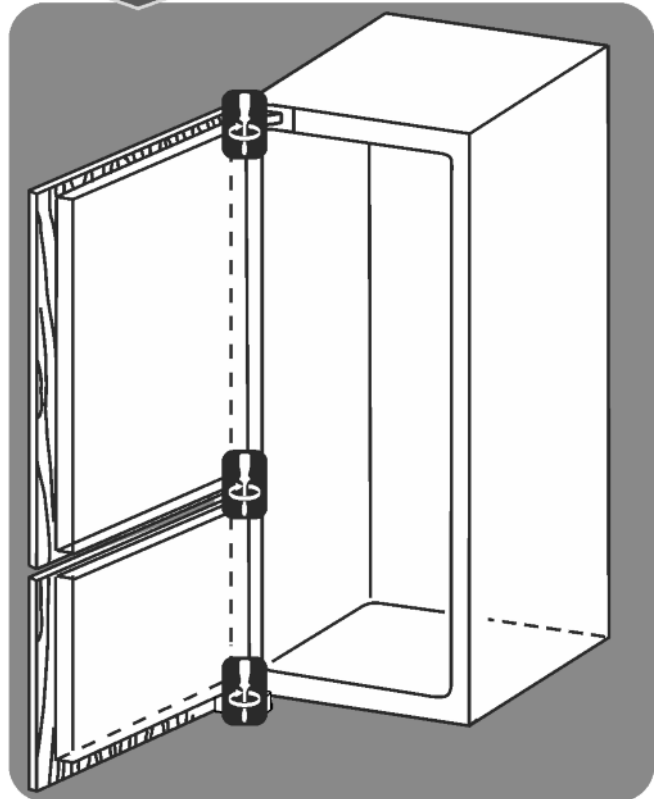
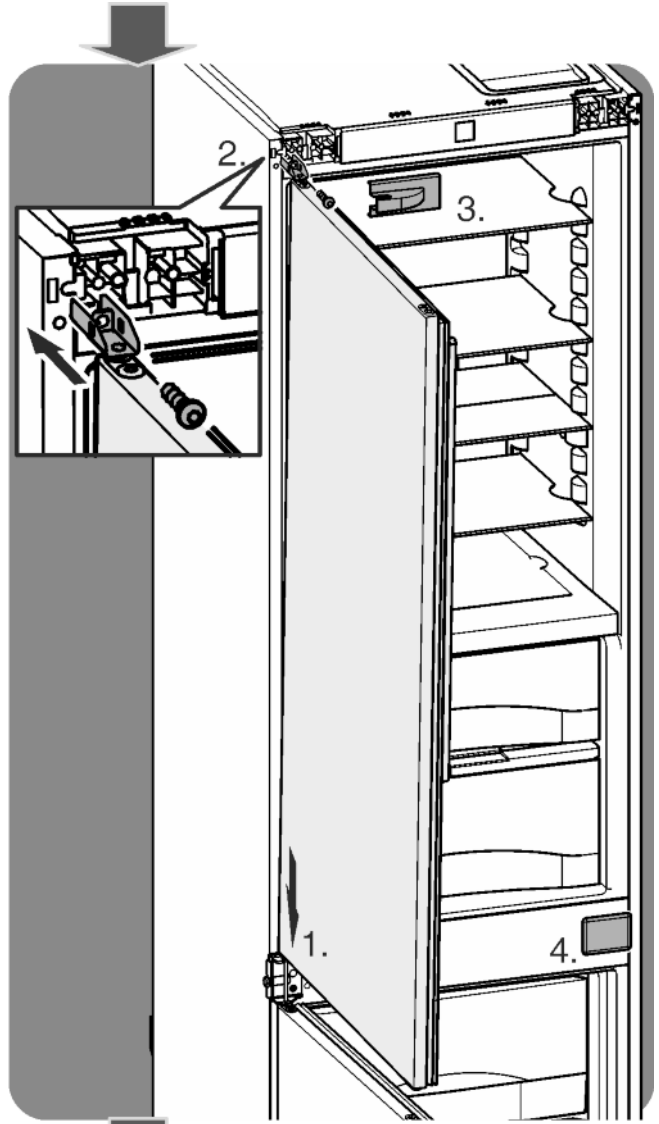
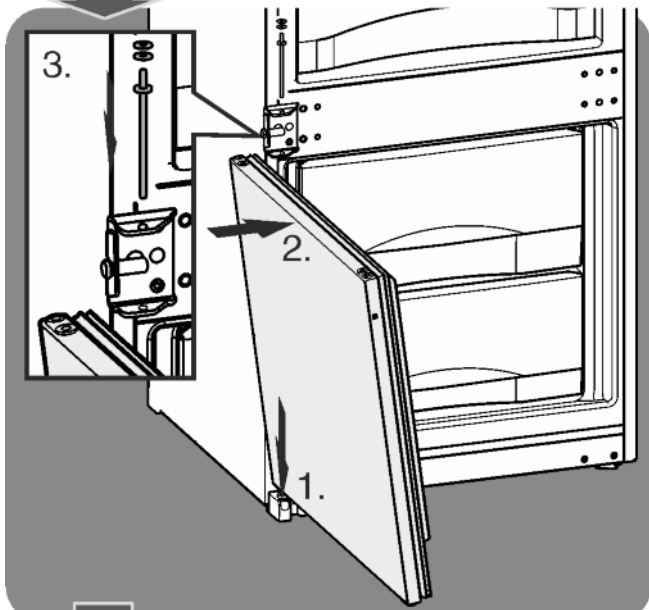
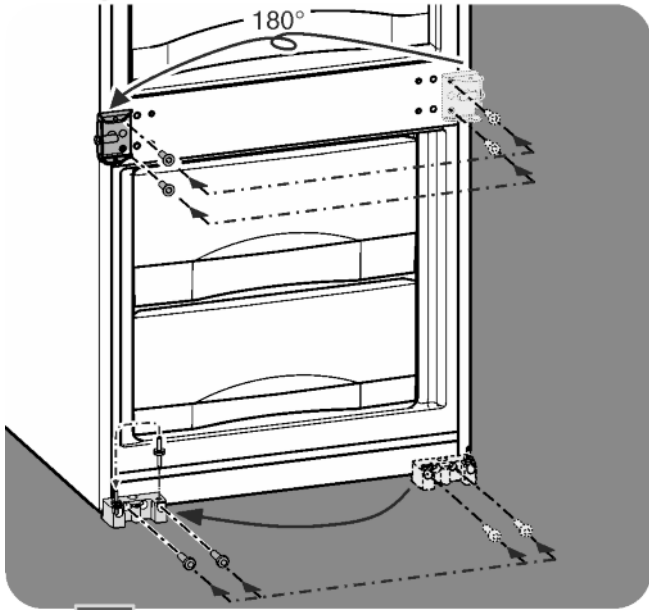
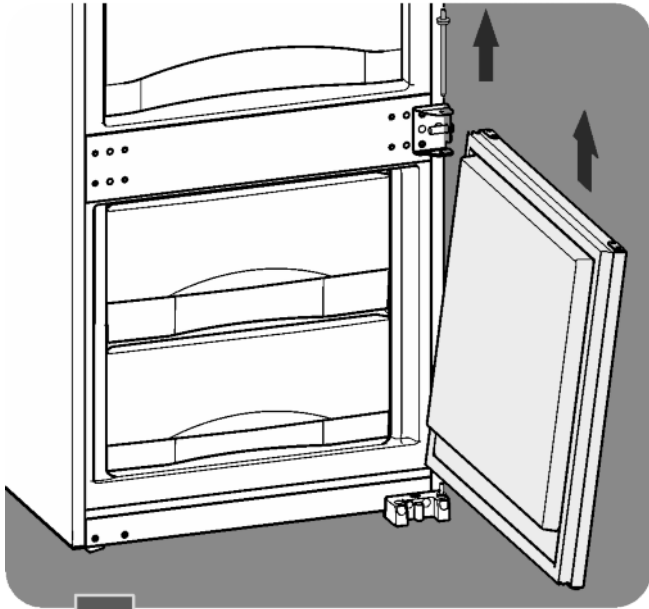
Changing over the door hinges

Cambio del tope de puerta

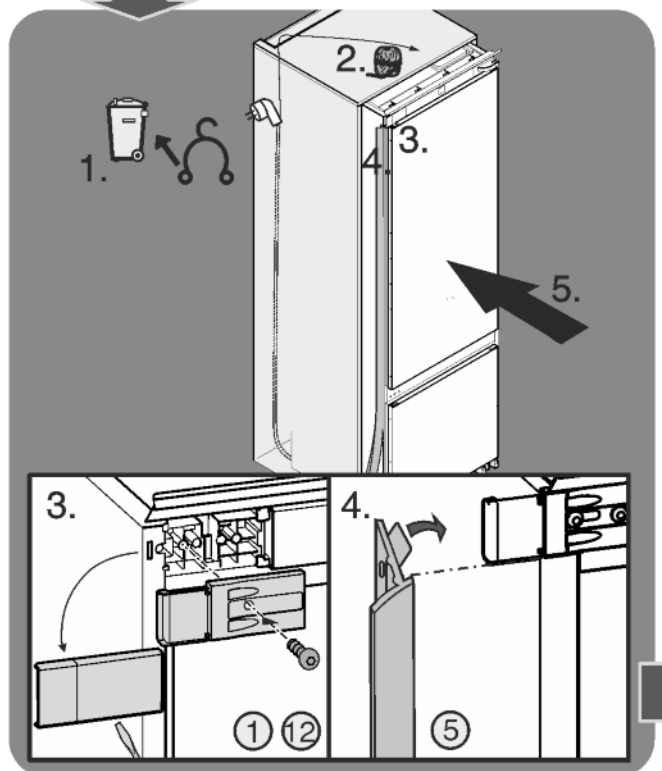
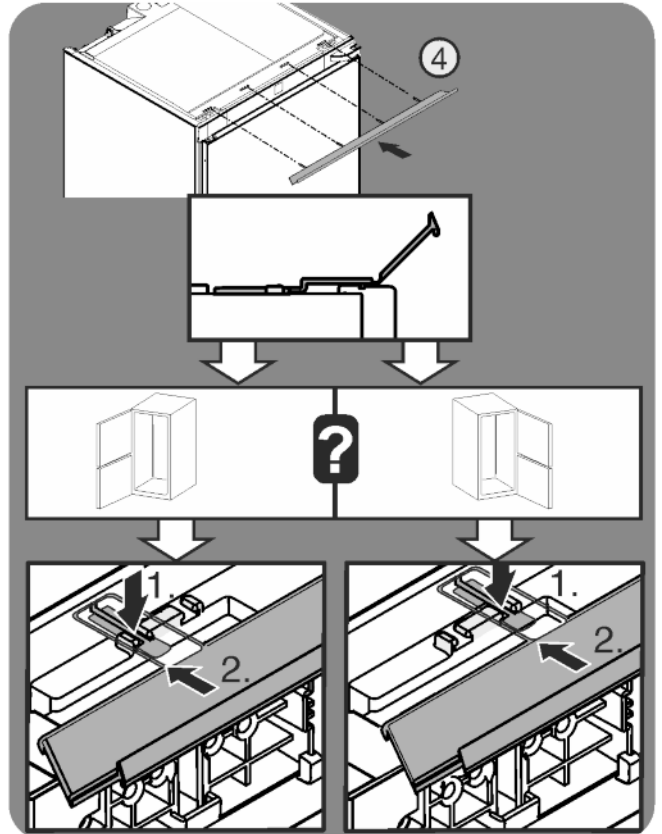
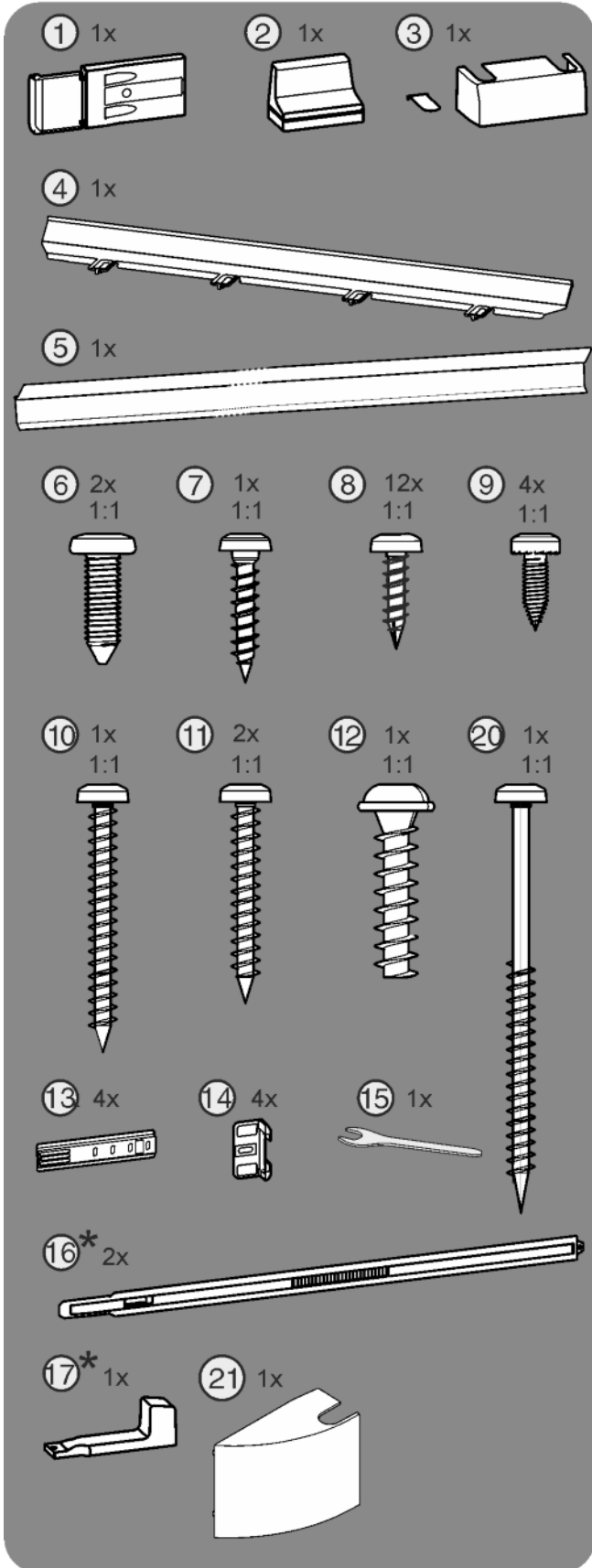
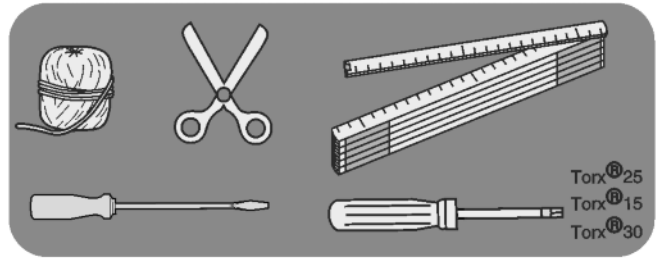
Inversion du sens d'ouverture de la porte

Перевешивание дверей

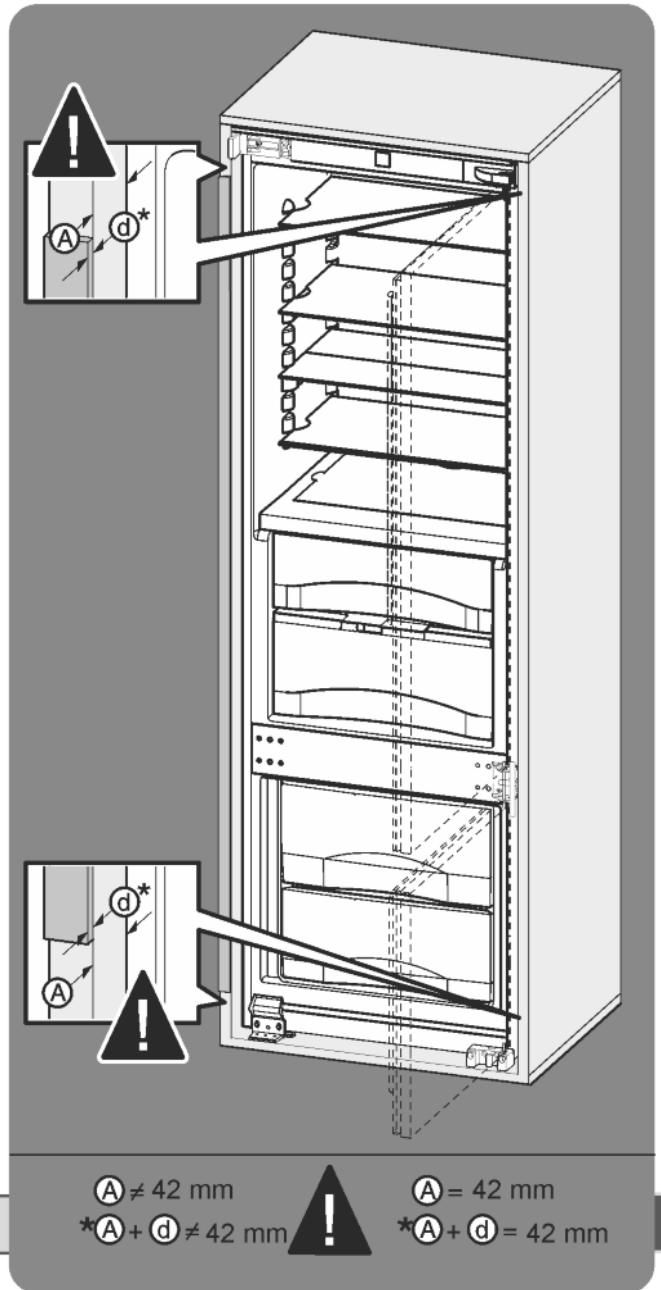
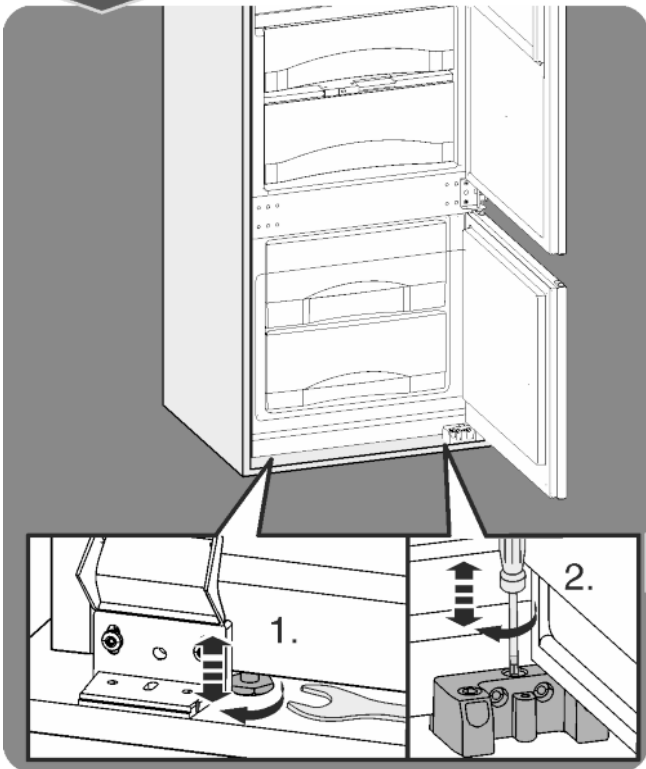


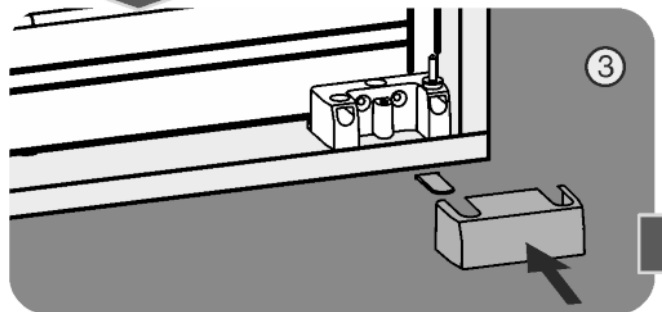
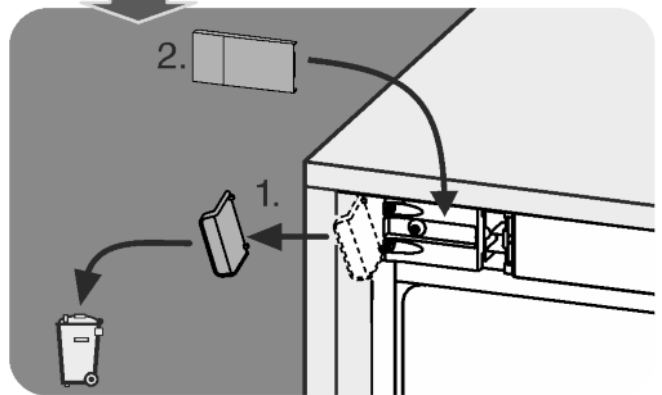
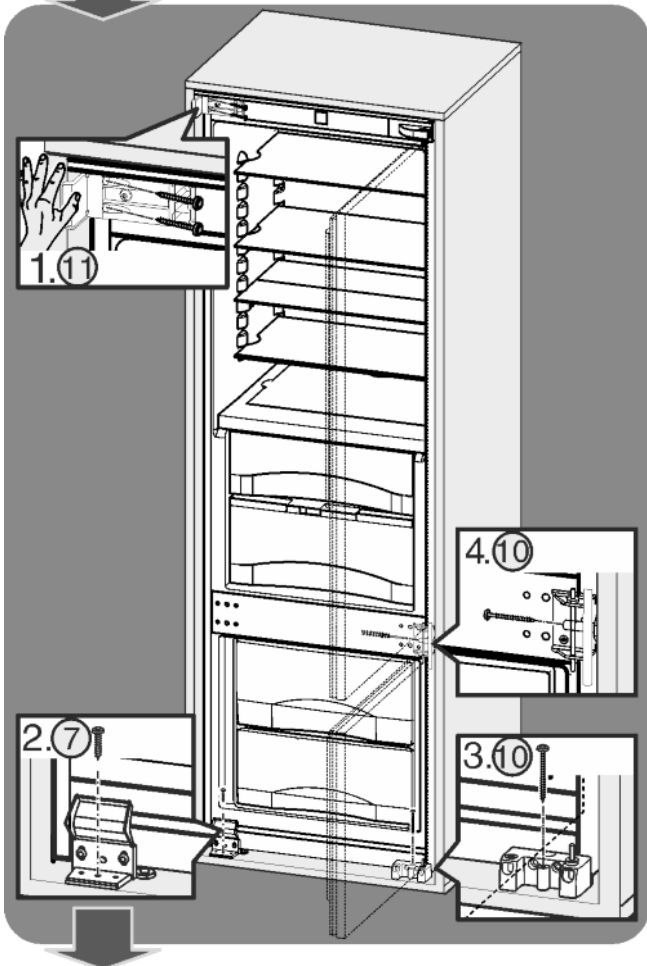
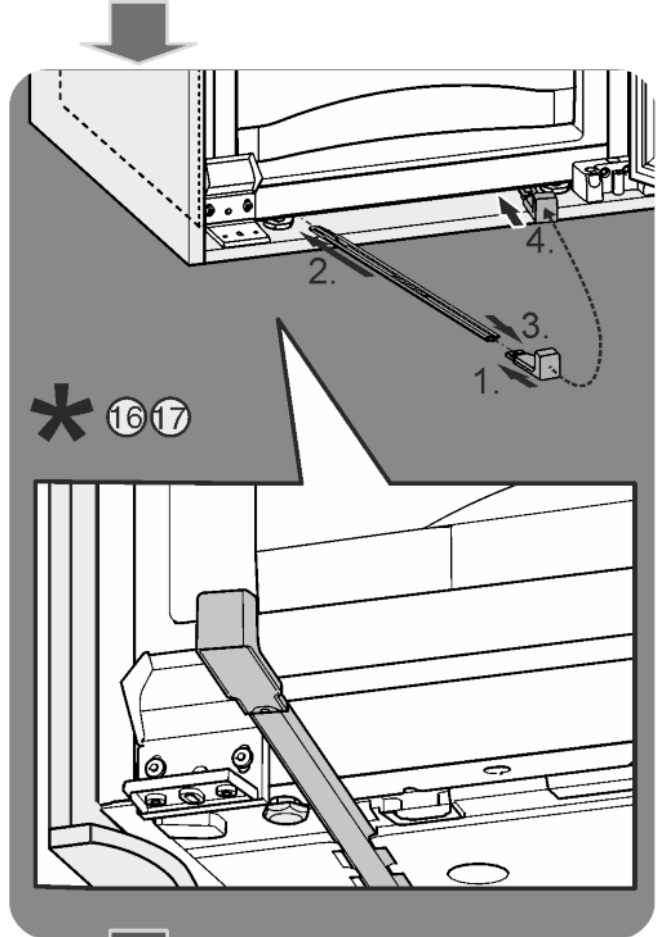
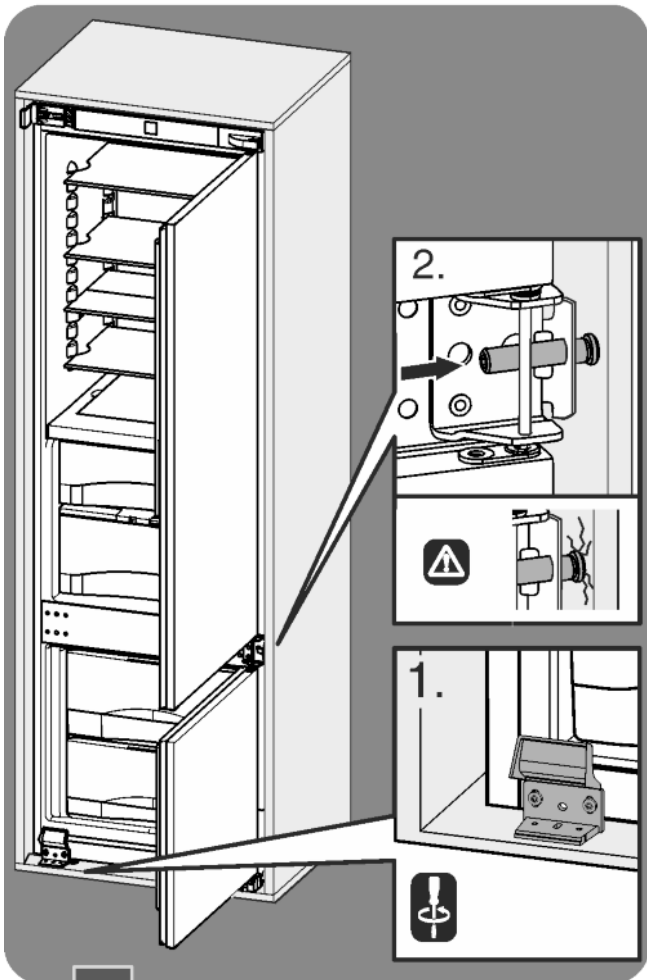


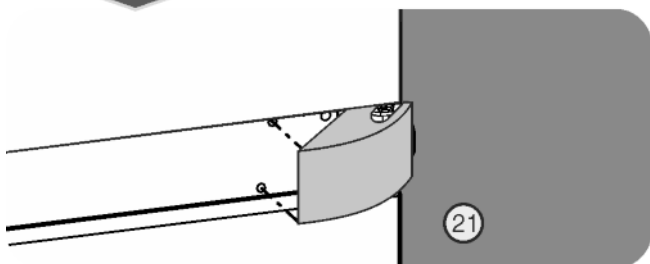
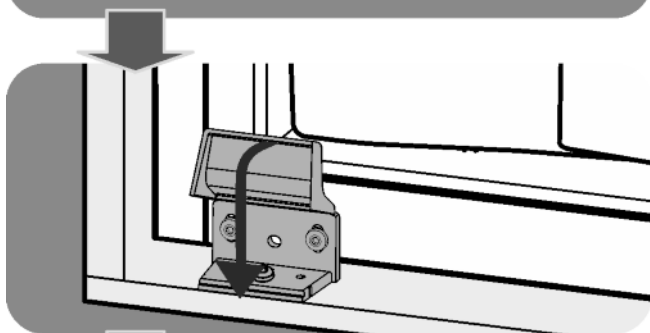
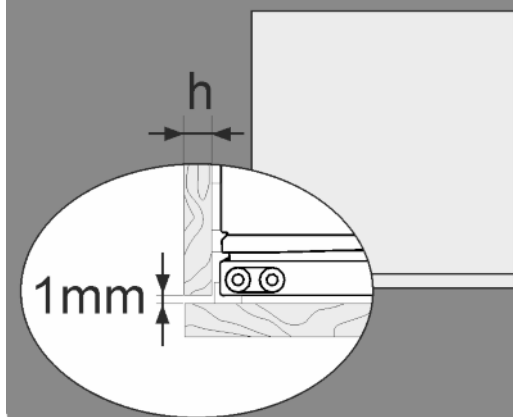
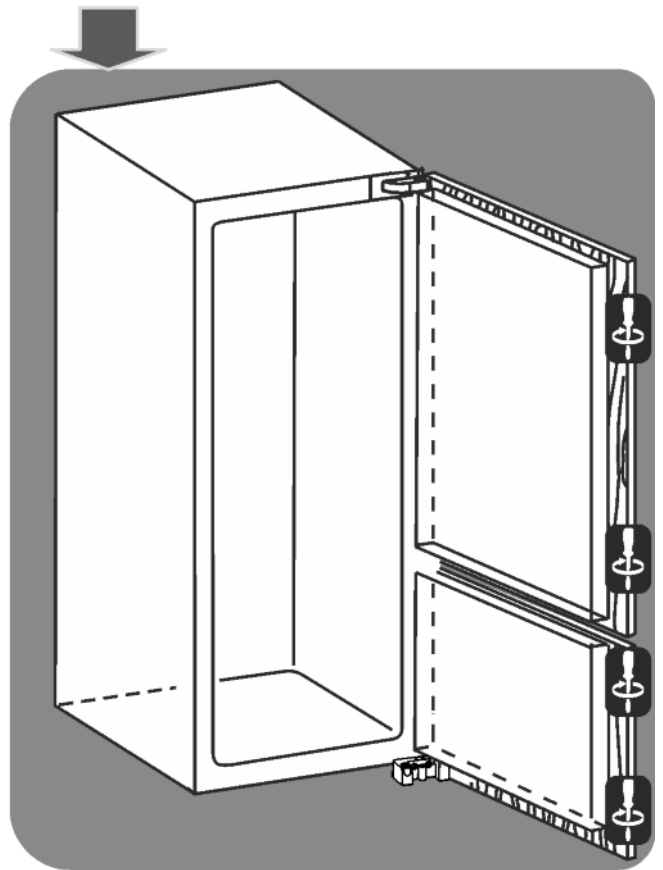
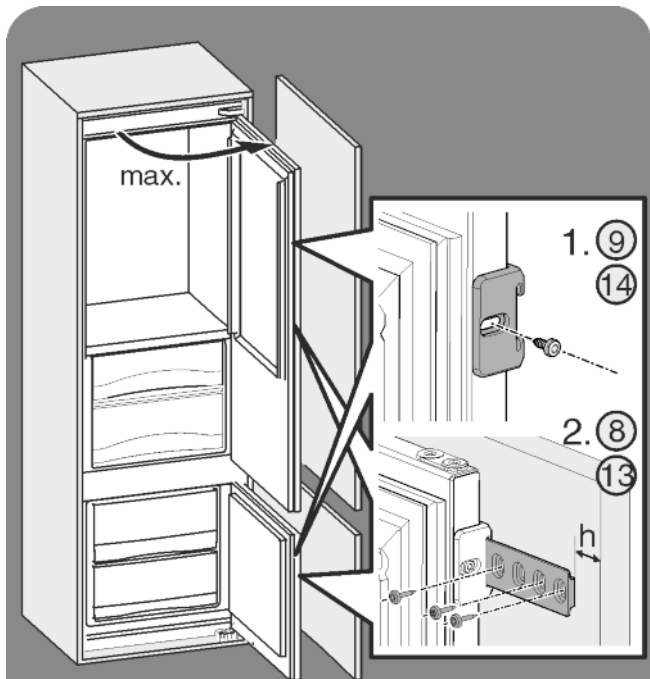
Einbau in die Nische  
 Installation  
 Montaje  
 Montage  
 Установка













**Liebherr-Hausgeräte Ochsenhausen GmbH**

Memminger Straße 77-79

88416 Ochsenhausen

Deutschland

[home.liebherr.com](http://home.liebherr.com)