



# P-403

## Motor Interior S.E.C. System® Moteur Intérieur / Interior Motor

| Front. (cm) | Motor                       | Ø    | Clas. Ener. | Ref. |
|-------------|-----------------------------|------|-------------|------|
| 70          | V.750                       | Ø125 | B           | 9758 |
| 70          | V.850                       | Ø150 | A           | 9759 |
| 70          | <b>V.1050 eco SEC® PLUS</b> | Ø150 | A+          | 9760 |
| 70          | V.1250 <b>eco</b>           | Ø150 | A++         | 9761 |
| 90          | V.750                       | Ø125 | B           | 9766 |
| 90          | V.850                       | Ø150 | A           | 9767 |
| 90          | <b>V.1050 eco SEC® PLUS</b> | Ø150 | A+          | 9768 |
| 90          | V.1250 <b>eco</b>           | Ø150 | A++         | 9769 |
| 120         | V.850                       | Ø150 | A           | 9774 |
| 120         | <b>V.1050 eco SEC® PLUS</b> | Ø150 | A+          | 9775 |
| 120         | V.1250 <b>eco</b>           | Ø150 | A++         | 9776 |

## Motor Intermedio Exterior Moteur Deporté / Duct-in-line remote motor

| Front. (cm) | Motor             | Ø tubo | Clas. Ener. | Ref. |
|-------------|-------------------|--------|-------------|------|
| 70          | V.1550 <b>eco</b> | Ø150   | A+          | 9762 |
| 70          | V.2450 <b>eco</b> | Ø200   | A+          | 9763 |
| 90          | V.1550 <b>eco</b> | Ø150   | A+          | 9770 |
| 90          | V.2450 <b>eco</b> | Ø200   | A+          | 9771 |
| 120         | V.1550 <b>eco</b> | Ø150   | A+          | 9777 |
| 120         | V.2450 <b>eco</b> | Ø200   | A+          | 9778 |

## Motor Exterior a muro Moteur Extérieur mural / Wall-mounted exterior motor

| Front. (cm) | Motor  | Ø tubo | Clas. Ener. | Ref. |
|-------------|--------|--------|-------------|------|
| 70          | V.1100 | Ø150   | C           | 9764 |
| 90          | V.1100 | Ø150   | C           | 9772 |

## Motor de tejado Moteur toiture / Roof motor

| Front. (cm) | Motor             | Ø tubo | Clas. Ener. | Ref. |
|-------------|-------------------|--------|-------------|------|
| 70          | V.2350 <b>eco</b> | Ø200   | A           | 9765 |
| 90          | V.2350 <b>eco</b> | Ø200   | A           | 9773 |
| 120         | V.2350 <b>eco</b> | Ø200   | A           | 9779 |

## Notas / Notes / Notes

Opción de cambio de led original a led de luz cálida de 3000K.  
Suministrado con la campana.  
Option de substitution du led d'origine par un led à lumière chaude de 3000 K (\*) – Changement optionnel possible uniquement en usine.  
Option of changing the original LED for a 3000 K (\*) warm light LED – Optional change only possible in factory.

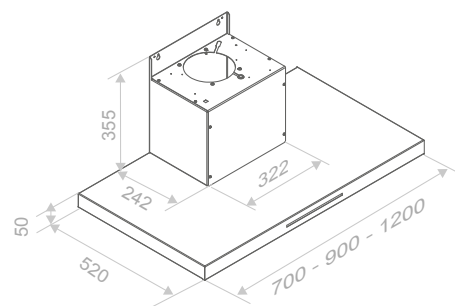
## Opcionales / Optionnel / Options

Kits de recirculación FCA. Ver página 205  
KIT filtres à charbon actif. Voir page 205  
Activated carbon filters kits. See page 205

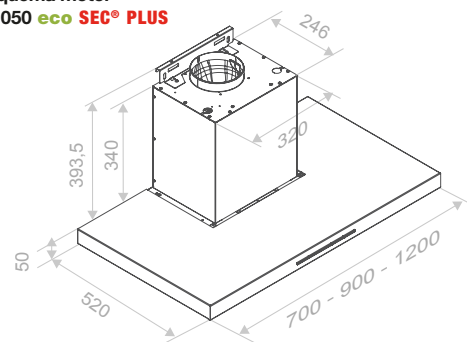
Mando a distancia Touch. Suministrado con la campana  
Télécommande Touch.  
Touch remote control.

## Bajo presupuesto / Sur devis / On request

Mando a distancia Touch. Suministrado en pedido al margen de la campana  
Télécommande Touch. Fournie sur commande indépendamment de la hotte  
Touch remote control. Supplied on request independent from the hood



## Esquema motor V.1050 eco SEC® PLUS





Model. 90 cm

Inox - Stainless steel

|                          |  |                                     |            |     |  |                 |  |  |              |                      |                      |
|--------------------------|--|-------------------------------------|------------|-----|--|-----------------|--|--|--------------|----------------------|----------------------|
| 70 cm<br>90 cm<br>120 cm |  | <b>SEC</b><br>System<br><b>PLUS</b> | <b>A++</b> | eco |  | Filters<br>Inox |  |  | Last<br>TIME | Inox.<br>AISI<br>304 | <b>SIA</b><br>Safety |
|--------------------------|--|-------------------------------------|------------|-----|--|-----------------|--|--|--------------|----------------------|----------------------|