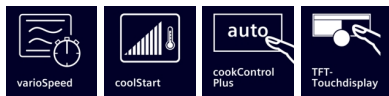


iQ700, Built-in oven with microwave function, 60 x 60 cm, Stainless steel HM636GNS1



- ✓ varioSpeed – Prepare excellent dishes up to 50% faster.
- ✓ fastPreheat – Heat the oven quickly. coolStart – Eliminate preheating for frozen foods.
- ✓ Cut down on oven cleaning – ecoClean.
- ✓ cookControl Plus – Build success into your baking.
- ✓ User-friendly menu navigation with good display features - TFT-Touchdisplay.

Features

Technical Data

Type of micro-wave oven : MW-Combi
 Type of control : Electronic
 Color / Material Front : Stainless steel
 Dimensions : 595 x 594 x 548 mm
 Cavity dimensions : 357.0 x 480 x 392.0 mm
 Length electrical supply cord : 120 cm
 Net weight : 42.5 kg
 Gross weight : 44.9 kg
 EAN code : 4242003671894
 Maximum micro-wave power : 800 W
 Connection Rating : 3600 W
 Fuse protection : 16 A
 Voltage : 220-240 V
 Frequency : 60; 50 Hz
 Plug type : GARDY plug w/ earthing
 Cavity dimensions : 357.0 x 480 x 392.0 mm
 Included accessories : 1 x enamel baking tray, 1 x combination grid, 1 x universal pan



Included accessories

- 1 x enamel baking tray
- 1 x combination grid
- 1 x universal pan

Optional accessories

HZG0AS00 : Connecting cable 3m , HZ915003 : Glass roasting dish, 5,4 L , HZ66X650 : Cover Strip , HZ664000 : Baking and roasting grid (steam) , HZ636000 : Glass pan , HZ634080 : Baking and roasting grid (microwave) , HZ633070 : Professional pan, anthracite enamelled , HZ633001 : Lid for professional pan, enamelled anth , HZ632070 : Multipurpose pan, anthracite enamelled , HZ631070 : Baking tray, anthracite enamelled , HZ625071 : Grill tray, anthracite enamelled , HZ617000 : Pizza pan, anthracite enamelled , HZ532010 : Universal pan, non-stick ceramic coated , HZ531010 : Baking tray, non-stick ceramic coated , HZ327000 : Baking stone

iQ700, Built-in oven with microwave function, 60 x 60 cm, Stainless steel HM636GNS1

Features

Type of oven / heating system:

- Oven with microwave with 13 heating methods: 4D hotAir, Hotair eco,, Conventional heat, Conventional heat ECO, hotAir grilling, Full width grill, Half width grill, Pizza setting, coolStart, Bottom heat, Gentle heating, Plate warming setting, Keep warm
- Additional heating methods with microwave: microwave, combi microwave variable
- Max. Power: 800 W; 5 Microwave power settings (90 W,180 W,360 W,600 W, max) with Inverter (MW)
- Intelligent inverter technology: maximum output power will be regulated to 600 W when used in longer operation
- Temperature range 30 °C - 300 °C
- Cavity volume: 67 l

Hook-in racks / rails

- Number of shelf levels: 5 PC
- 1 level telescopic shelf

Design:

- Rotary Control
- Cavity inner surface: enamel

Cleaning:

- ecoClean: coating of back panel
- humidClean (manually)

Comfort:

- TFT-color and text display with touch-control buttons
- electronic clock
- Temperature proposal
- Actual temperature display Optical temperature control
- Drop down door
- Bar handle
- Supporting systems: Meals
- fastPreheat
- coolStart
- LED illumination, Independent oven interior light button
- Integral cooling fan

Accessory:

- 1 x universal pan, 1 x enamel baking tray, 1 x combination grid

Environment and Safety:

- Low door temperature
- Triple glazed door with heat reflective glass glazed CoolTouch door
- Child lock
- Residual heat indicator Start-/Stop button Door contact switch

Technical Information

- Length of mains cable: 120 cm
- Nominal voltage: 220 - 240 V
- Total connected load electric: 3.6 KW

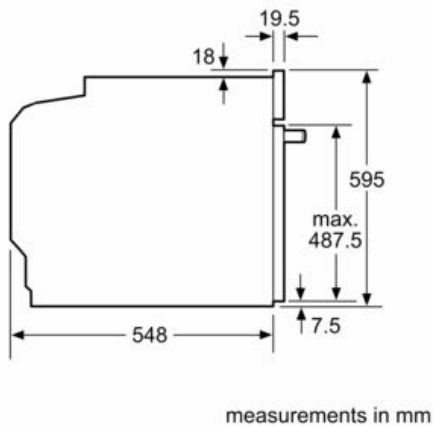
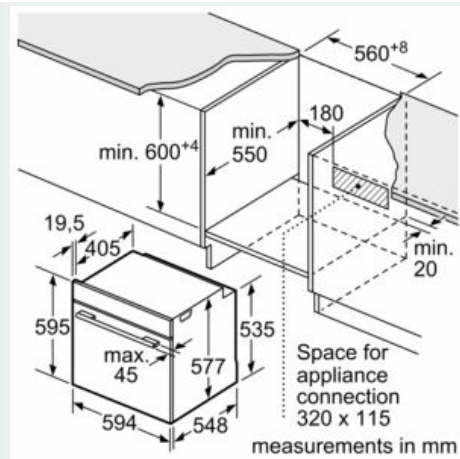
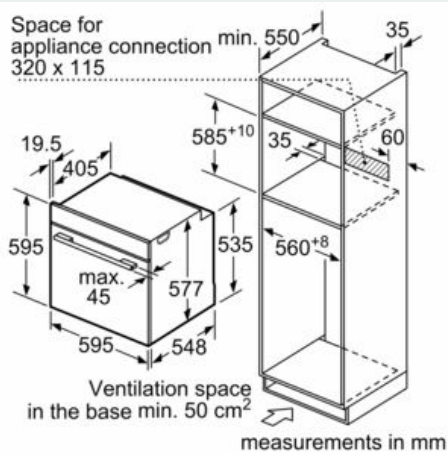
Dimensions:

- Appliance dimension (HxWxD): 595 mm x 594 mm x 548 mm
- Niche dimension (HxWxD): 585 mm - 595 mm x 560 mm - 568 mm x 550 mm
- "Please reference the built-in dimensions provided in the installation drawing"

- We recommend you to choose complementary products within IQ700, in order to assure an optimal design combination of your Built-In appliances.

iQ700, Built-in oven with microwave function, 60 x 60 cm, Stainless steel HM636GNS1

Dimensioned drawings



If the appliance will be installed underneath a hob, the following worktop thicknesses (including substructure if necessary) must be taken into account.

Hob type	min. worktop thickness	
	fitted	flush
Induction hob	37 mm	38 mm
Full surface Induction hob	47 mm	48 mm
Gas hob	30 mm	38 mm
Electric hob	27 mm	30 mm