



CI262105
Flex induction cooktop 200 series
Frameless
Width 60 cm

Frameless for flush mounting
 Flex function for combining the rectangular cooking areas
 Free positioning of cookware inside combined cooking areas with automatic extension up to 30 cm width
 Professional cooking function for splitting the cooktop into predefined heat areas
 Frying sensor function for temperature control in pans
 Twist-Pad control with removable magnetic knob
 Easy control of all functions with bicoloured display

Cooking zones

2 flex induction cooking areas 23x19 cm (2200 W, with booster 3700 W), linked together 23x38 cm (3300 W, with booster 3700 W), with automatic extension up to 30x30 cm (3300 W, with booster 3700 W).
 2 flex induction cooking areas 23x19 cm (2200 W, with booster 3700 W), linked together 23x38 cm (3300 W, with booster 3700 W), with automatic extension up to 30x30 cm (3300 W, with booster 3700 W).

Handling

Twist-Pad control with removable magnetic knob.
 User friendly control with bicoloured display (white / orange).
 Cooking zone and cooking area marking.
 Electronic power control in 17 output levels.

Features

Flex function for rectangular cooking areas.
 Professional cooking function.
 Frying sensor function.
 Booster function for pots.
 Booster function for pans.
 Keep warm function.
 Stopwatch.
 Cooking timer for up to 99 minutes.
 Short-term timer.
 Options menu.
 Power management.
 Cooktop-based ventilation control (with suitable ventilation).
 Home network integration for digital services (Home Connect) wireless via WiFi.
 The use of the Home Connect functionality depends on the Home Connect services, which are not available in every country. For further information please check: home-connect.com.
 The cooking sensor function is not available as of June 2022.

Safety

Main switch.
 Operation indicator.
 Pot detection.
 2-stage residual heat indication.
 Child lock.
 Safety shut-off.

Planning notes

Installation is possible in worktops made of stone, synthetics or solid wood. Heat resistance and watertight sealing of the cut edges must be observed. Concerning other materials please consult the worktop manufacturer.

Characteristics

Product name/family
 Cooking zone ceramic
Construction type
 Built-in
Energy input
 Electric
Total number of positions that can be used at the same time
 4
Type of control setting devices
Min. required niche size for installation (HxWxD)
Width of the appliance
 572
Dimensions
 56 x 572 x 512
Dimensions of the packed product (HxWxD)
 126 x 753 x 608
Net weight
 14.8
Gross weight
 17.0
Residual heat indicator
 Separate
Location of control panel
 Hob front
Type of external control possibility
Basic surface material
 Ceramic
Color of surface
 Black
Color of frame
Length electrical supply cord
 150
Knob Material
 Full metal
Sealed Burners
 No
heating with booster
 All
Type of pan support
Natural Gas Connection Rating
LP Gas Connection Rating
Dimension of 1st heating element (in)
Power of heating element (kW)
Power of 1st burner
Dimension of 2nd heating element (in)
Power of 2nd heating element (kW)
 3.3
Power of 2nd burner
Dimension of 3rd heating element (in)
Power of 3rd heating element (kW)
Power of 3rd burner (BTU)
Dimension of 4th heating element (in)
Power of 4th heating element (kW)
Power of 4th burner (BTU)
Dimension of 5th heating element (in)
Power of 5th heating element (kW)
Power of 5th burner
Dimension of 6th heating element (in)
Power of heating element (kW in boost)
 [3.7]
 3.7
Power of 3rd heating element (kW in boost)
Power of 4th heating element (kW in boost)
Power of 5th heating element (kW in boost)
Power of 6th heating element (kW in boost)
 3.7
Connection rating
 7400
Gas connection rating
Fuse protection
Voltage
 220-240
Frequency
 50-60
Universal Product Code
Main colour of product
 Black
Energy input
 Electric
Gas type
Alternative gas type
Length of electrical supply cord (in)

Operates with magnetic (induction) iron pots and pans only. For an optimal heat distribution, the use of sandwich bottom cookware is recommended. The wok pan WP 400 001 cannot be used with this appliance. Appliance must be fixed from underneath. Appliance weight: approx. 15 kg.

Connection

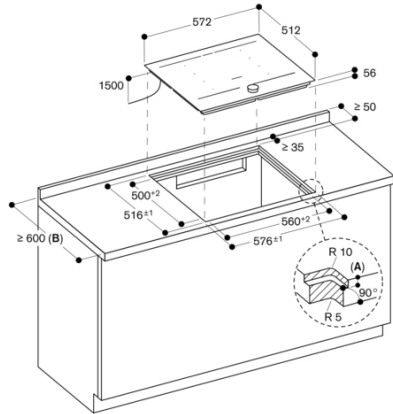
Total connected load 7.4 KW.
 Connecting cable 1.5 m without plug.
 Power consumption standby/display off 0.5 W.
 Power consumption standby/network 2.0 W.
 Please check the user manual for how to switch off the WiFi module.

Color Variants

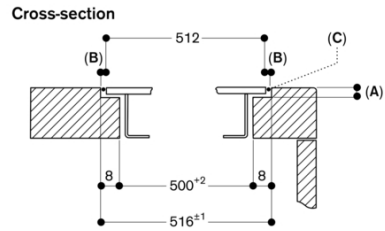
CI262105
 Frameless
 Width 60 cm

Optional accessories

CA051300
 Teppan Yaki plate made of multi ply material
 CA052300
 Griddle plate in cast aluminium
 CA230100
 Black magnetic knob for induction cooktop 200 series
 GP900001
 Stainless steel frying sensor pan
 GP900002
 Stainless steel frying sensor pan
 GP900003
 Stainless steel frying sensor pan
 GP900004
 Stainless steel frying sensor pan

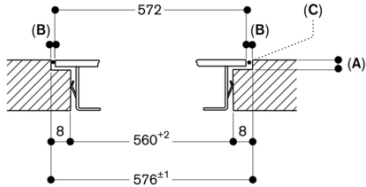


A: $6.5^{+0.5}$
 B: Please check the installation manual if the worktop depth is less than 600 mm.
 measurements in mm



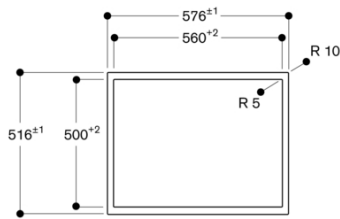
A: $6.5^{+0.5}$
 B: 2.5
 C: Fill with silicone
 measurements in mm

Longitudinal section



A: $6.5^{+0.5}$
 B: 2.5
 C: Fill with silicone
 measurements in mm

View from above



measurements in mm