

Haier

EN Instruction on mounting and use

ES Montaje y modo de empleo

PT Instruções para montagem e utilização

CZ Pokyny k montáži a použití

SK Návod na montáž a použitie

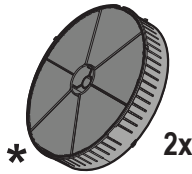
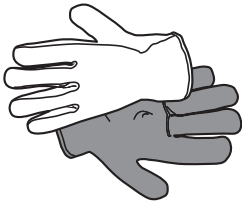
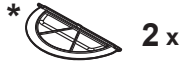
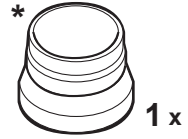
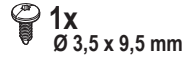
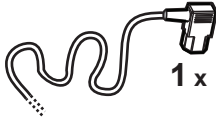
DE Montage- und Bedienungsanleitung

NL Instructies voor montage en gebruik

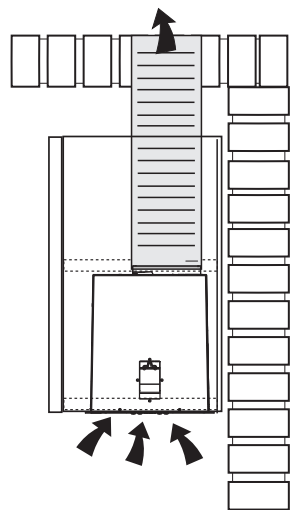
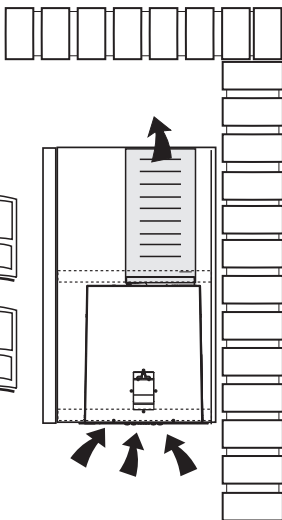
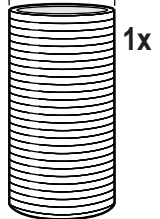
FR Instructions de montage et d'utilisation

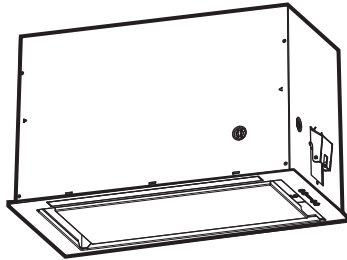
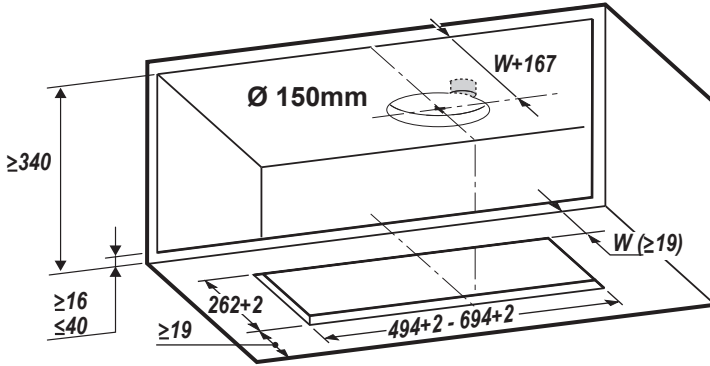
PL Instrukcja montażu i użytkowania

RO Instrucțiuni de montare și utilizare

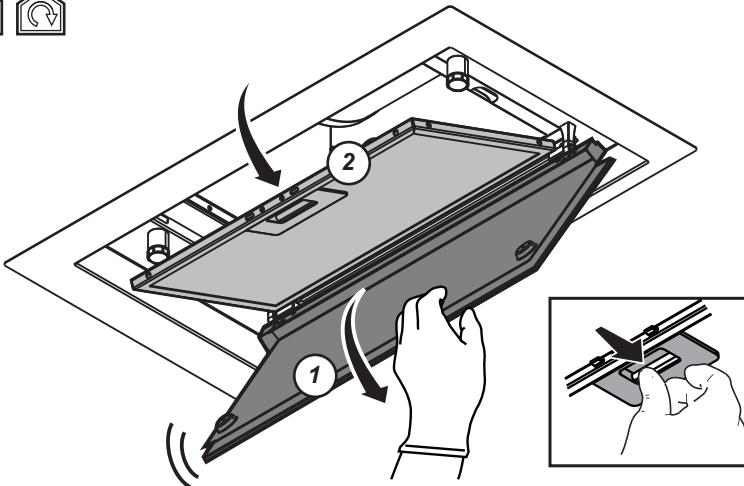


Ø 120 mm
Ø 125 mm
Ø 150 mm

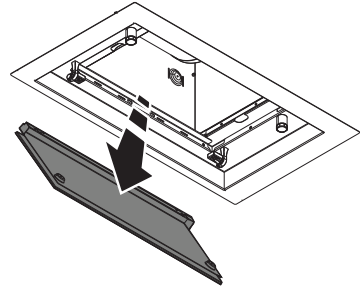
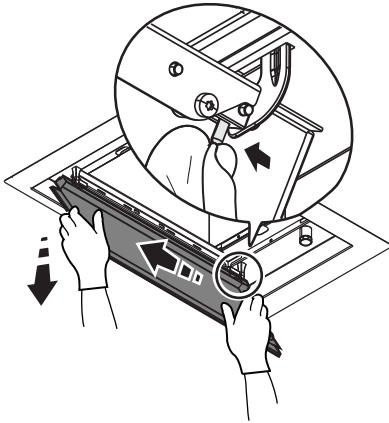




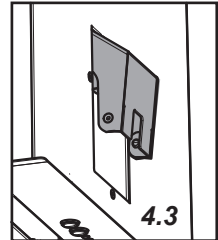
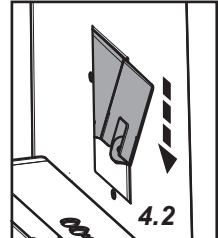
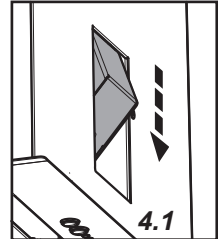
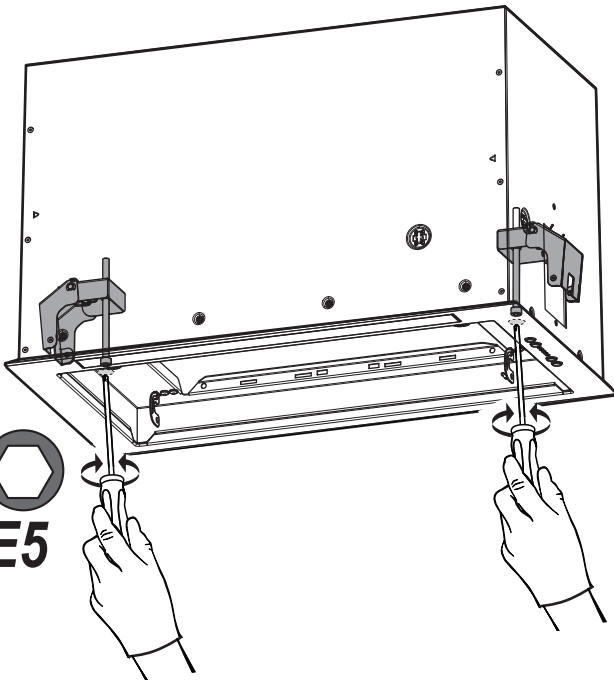
1



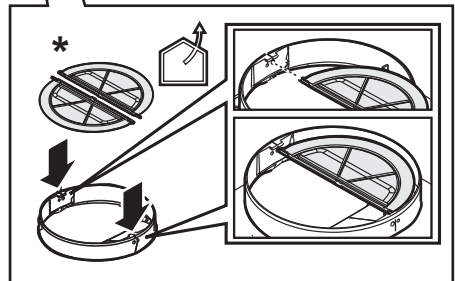
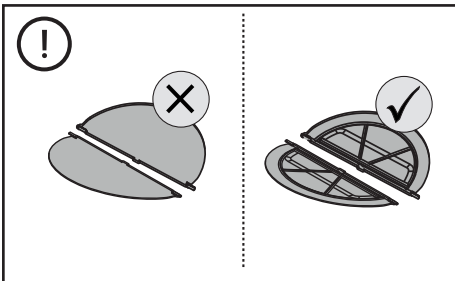
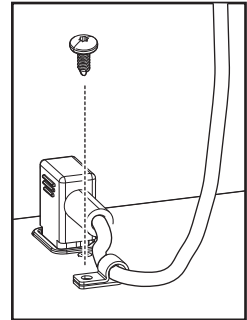
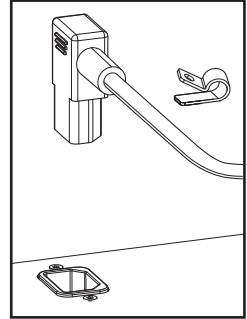
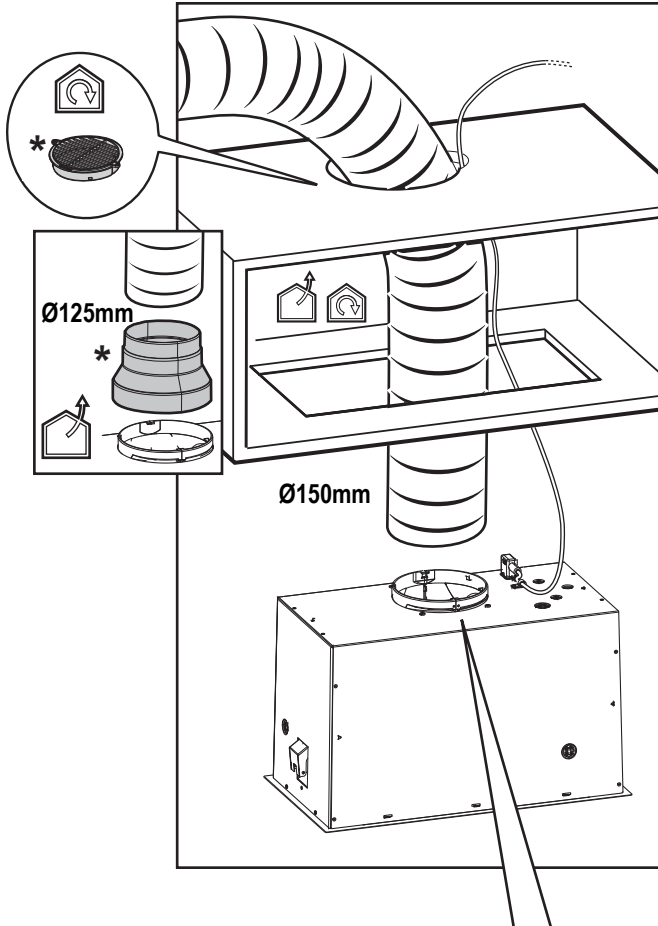
2

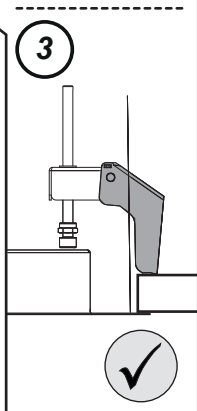
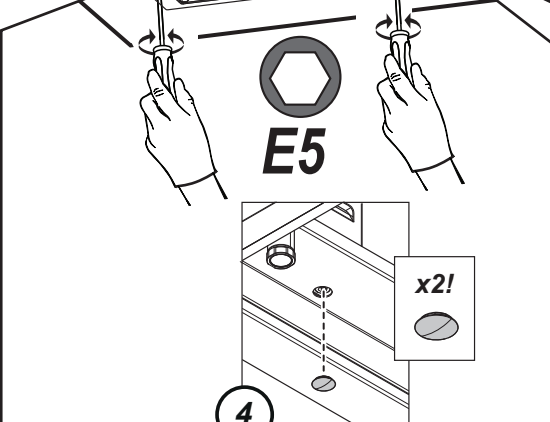
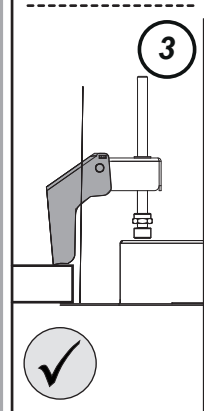
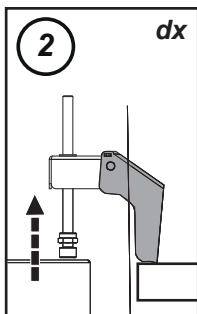
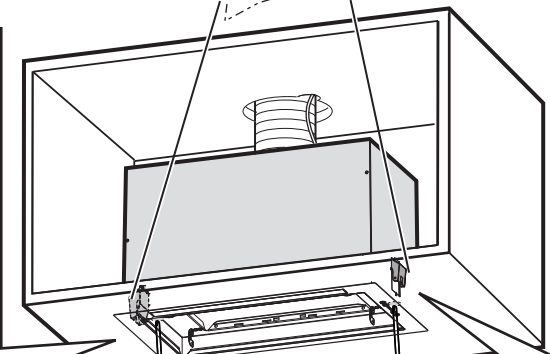
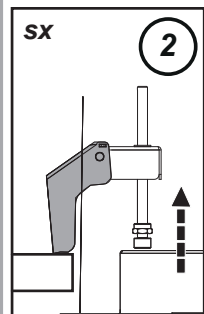
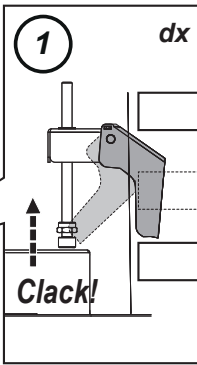
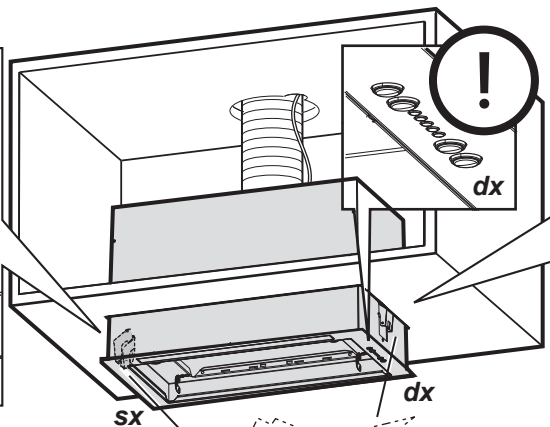
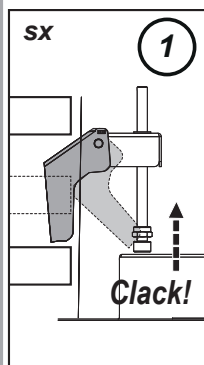


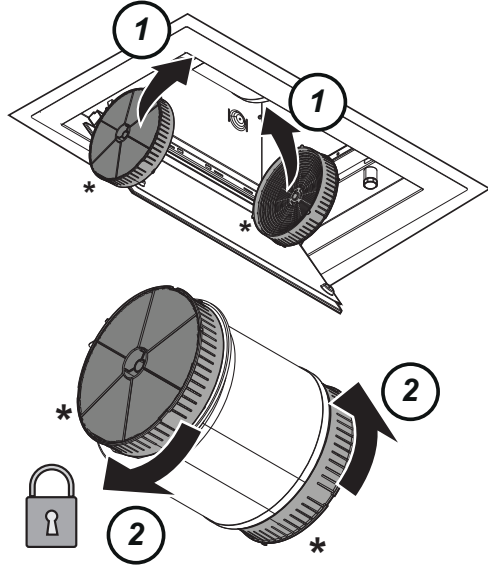
3



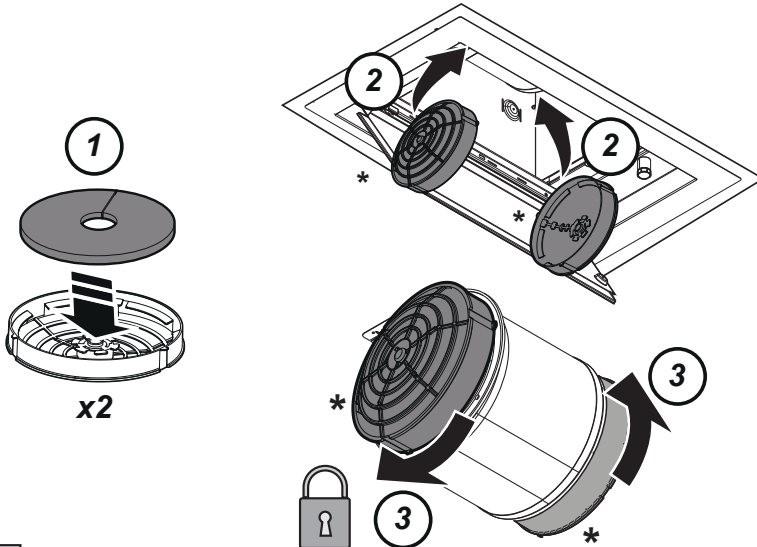
4



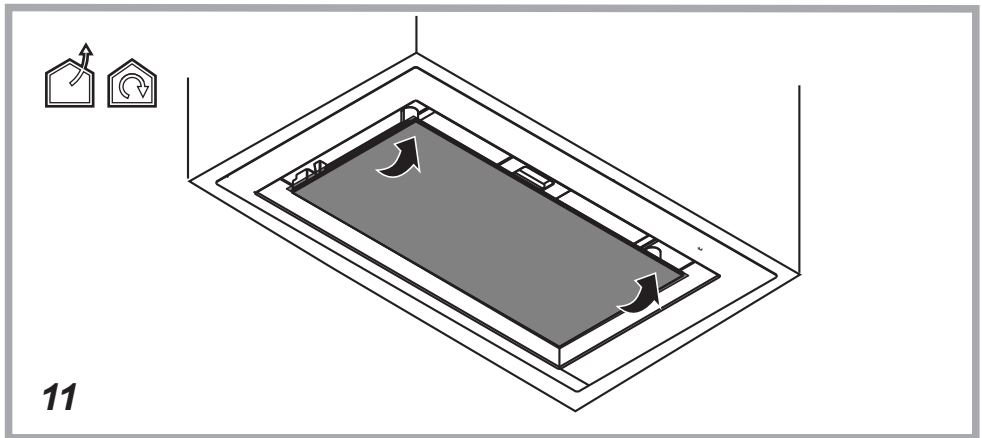
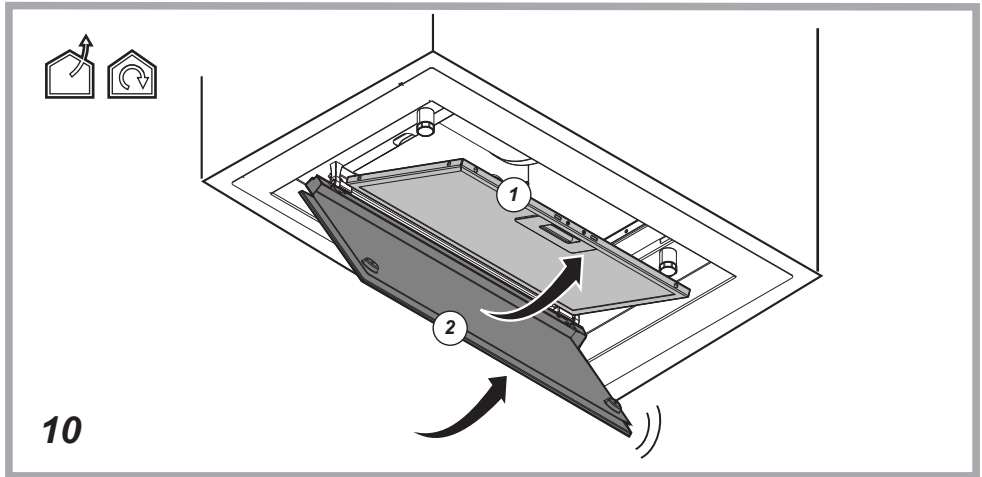
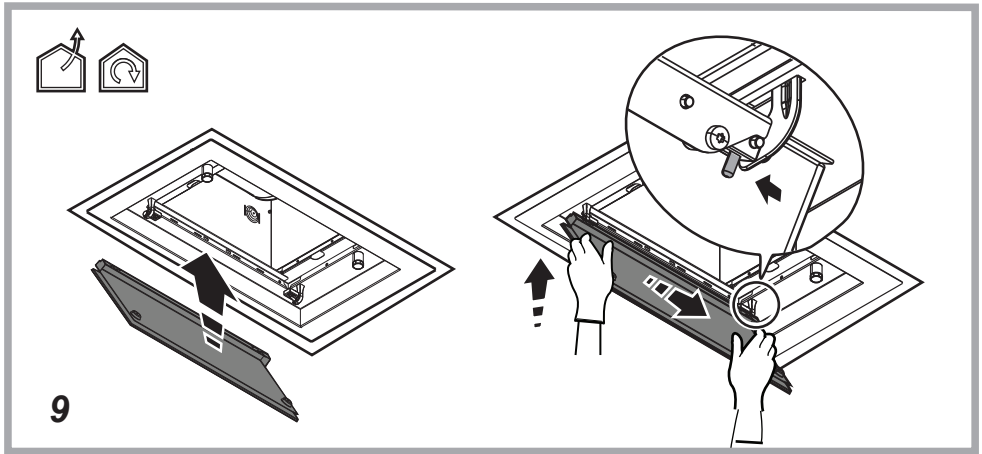




7*



8*



Closely follow the instructions set out in this manual. All responsibility, for any eventual inconveniences, damages or fires caused by not complying with the instructions in this manual, is declined. This appliance is intended to be used in household and similar application such as: - staff kitchen areas in shop, offices and other working environments; - farm houses; - by clients in hotels, motels and other residential type environments; - bed and breakfast type environments.

- It is important to conserve this booklet for consultation at any moment. In the case of sale, cession or move, make sure it is together with the product.
- Read the instructions carefully: there is important information about installation, use and safety.
- Do not carry out electrical or mechanical variations on the product or on the discharge conduits.
- Before proceeding with the installation of the appliance verify that there are no damaged all components. Otherwise contact your dealer and do not proceed with the installation.

Note: The parts marked with the symbol "(*)" are optional accessories supplied only with some models or otherwise not supplied, but available for purchase.

Caution

- Before any cleaning or maintenance operation, disconnect hood from the mains by removing the plug or disconnecting the mains electrical supply.
- Always wear work gloves for all installation and maintenance operations.
- This appliance can be used by children aged from 8 years and above and persons with reduced physical, sensory or mental capabilities or lack of experience and knowledge if they have been given supervision or instruction concerning use of the appliance in a safe way and understand the hazards involved.
- Children shall not be allowed to tamper with the controls or play with the appliance.
- Cleaning and user maintenance shall not be made by children without supervision.
- The premises where the appliance is installed must be sufficiently ventilated, when the kitchen hood is used together with other gas combustion devices or other fuels.

- The hood must be regularly cleaned on both the inside and outside (AT LEAST ONCE A MONTH).

- This must be completed in accordance with the maintenance instructions provided. Failure to follow the instructions provided regarding the cleaning of the hood and filters will lead to the risk of fires.

- Do not flambé under the range hood.

- Do not remove filters during cooking.

- For lamp replacement use only lamp type indicated in the Maintenance/Replacing lamps section of this manual.

The use of exposed flames is detrimental to the filters and may cause a fire risk, and must therefore be avoided in all circumstances.

Any frying must be done with care in order to make sure that the oil does not overheat and ignite.

CAUTION: Accessible parts of the hood may become hot when used with cooking appliances.

- Do not connect the appliance to the mains until the installation is fully complete.

- With regards to the technical and safety measures to be adopted for fume discharging it is important to closely follow the regulations provided by the local authorities.

- The air must not be discharged into a flue that is used for exhausting fumes from appliance burning gas or other fuels.

▲ WARNING! Failure to install the screws or fixing device in accordance with these instructions may result in electrical hazards.

- Do not use or leave the hood without

the lamp correctly mounted due to the possible risk of electric shocks.

- Never use the hood without effectively mounted grids.
- The hood must NEVER be used as a support surface unless specifically indicated.
- Use only the fixing screws supplied with the product for installation or, if not supplied, purchase the correct screws type.
- Use the correct length for the screws which are identified in the Installation Guide.
- In case of doubt, consult an authorized service assistance center or similar qualified person.

▲ WARNING! Do not use with a programmer, timer, separate remote control system or any other device that switches on automatically.

Electrical connection

The mains power supply must correspond to the rating indicated on the plate situated inside the hood. If provided with a plug connect the hood to a socket in compliance with current regulations and positioned in an accessible area, after installation. If it not fitted with a plug (direct mains connection) or if the plug is not located in an accessible area, after installation, apply a double pole switch in accordance with standards which assures the complete disconnection of the mains under conditions relating to over-current category III, in accordance with installation instructions.

▲ WARNING! Before re-connecting the hood circuit to the mains supply and checking the efficient function, always check that the mains cable is correctly assembled.

▲ WARNING! If the supply cord is damaged, it must be replaced by the manufacturer, its service agent or similarly qualified persons in order to avoid hazard.

Installation


- The minimum distance between the supporting surface for the cooking equipment on the hob and the lowest part of the range hood must be not less than 50cm from electric cookers and 50cm from gas or mixed cookers.

If the instructions for installation for the gas hob specify a greater distance, this must be adhered to.

• This appliance is marked according to the European directive 2012/19/EC - UK SI 2013 No.3113 on Waste Electrical and Electronic Equipment (WEEE).

• By ensuring this product is disposed of correctly, you will help prevent potential negative consequences for the environment and human health, which could otherwise be caused by inappropriate waste handling of this product.



• The symbol  on the product, or on the documents accompanying the product, indicates that this appliance may not be treated as household waste. Instead it should be taken to the appropriate collection point for the recycling of electrical and electronic equipment. Disposal must be carried out in accordance with local environmental regulations for waste disposal.

• For further detailed information regarding the process, collection and recycling of this product, please contact the appropriate department of your local authorities or the local department for household waste or the shop where you purchased this product.

Appliance designed, tested and manufactured according to:

• Safety: EN/IEC 60335-1; EN/IEC 60335-2-31, EN/IEC 62233.

• Performance: EN/IEC 61591; ISO 5167-1; ISO 5167-3; ISO 5168; EN/IEC 60704-1; EN/IEC 60704-2-13; EN/IEC 60704-3;

ISO 3741; EN 50564; IEC 62301.

• EMC: EN 55014-1; CISPR 14-1; EN 55014-2; CISPR 14-2; EN/IEC 61000-3-2; EN/IEC 61000-3-3. Suggestions for a correct use in order to reduce the environmental impact: Switch ON the hood at minimum speed when you start cooking and kept it running for few minutes after cooking is finished. Increase the speed only in case of large amount of smoke and vapor and use boost speed(s) only in extreme situations. Replace the charcoal filter(s) when necessary to maintain a good odor reduction efficiency. Clean the grease filter(s) when necessary to maintain a good grease filter efficiency. Use the maximum diameter of the ducting system indicated in this manual to optimize efficiency and minimize noise.

Use

The hood is designed to be used either for exhausting or filter version.



Extraction version

In this case the fumes are conveyed outside of the building by means of a special pipe connected with the connection ring located on top of the hood.



CAUTION!

The exhausting pipe is not supplied and must be purchased apart.

Diameter of the exhausting pipe must be equal to that of the connection ring.



CAUTION!

If the hood is supplied with active charcoal filter, then it must be removed.

Connect the hood and discharge holes on the walls with a diameter equivalent to the air outlet (connection flange).

Using the tubes and discharge holes on walls with smaller dimensions will cause a diminution of the suction performance and a drastic increase in noise.

Any responsibility in the matter is therefore declined.

! Use a duct of the minimum indispensable length.

! Use a duct with as few elbows as possible (maximum elbow angle: 90°).

! Avoid drastic changes in the duct cross-section.



Filtration version

The aspirated air will be degreased and deodorised before being fed back into the room.

In order to use the hood in this version, you have to install a system of additional filtering based on activated charcoal.

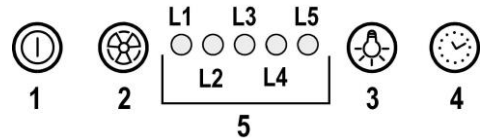
Mounting

This hood is designed for fitting in a cabinet or on some other support.

Before beginning installation:

- Check that the product purchased is of a suitable size for the chosen installation area.
- Remove the charcoal (*) filter/s if supplied (see also relative paragraph). This/these is/are to be mounted only if you want to use the hood in the filtering version.
- Check (for transport reasons) that there is no other supplied material inside the hood (e.g. packets with screws (*), guarantees (*), etc.), eventually removing them and keeping them.

Operation



1 ON/OFF motor

Pressing the button, the hood turns on at speed 1.

Pressing the button during functioning, the hood turns OFF.

2 Speed Increase

Pressing the button the hood passes from the OFF state to speed 1.

Pressing the button (hood in ON state) the motor speed is increased from speed 1 to intensive.

To each speed corresponds the ignition of the respective led.

Speed 1 led L1

Speed 2 led L2

Speed 3 led L3

Intensive Speed led L4 (flashing)

The intensive speed is timed. The standard timing is 5', at the end of which the hood positions itself to speed 2.

To deactivate the function before the time expires press key 2, the hood positions itself to speed 1, pressing key 1 the hood will turn off.

3 ON/OFF lights

4 Speed timing

5 Function state indicator

Speed Timing

The timing of the speed is enabled by pressing key 4, once the timing expires the hood turns off.

The timing is subdivided as follows:

Speed 1 - 20 minutes (led L1 flashing)

Speed 2 - 15 minutes (led L2 flashing)

Speed 3 - 10 minutes (led L3 flashing)

Intensive Speed - 5 minutes (led L4 flashing)

During the timed functioning pressing key 1 the hood turns off, if you press key 2 or key 4 the hood returns to the set speed.

Grease trap Signal

After 40 hours of operation the led L5 turns on.

When such signal appears the installed grease trap needs to be washed. To reset the signal hold down key 1 for 3".

Carbon filter Signal

After 160 hours of operation the led **L5** flashes.
When such signal appears the installed carbon filter must be substituted.
To reset the signal hold down key **1** for 3".

In the case of both filters signalling at the same time, the led **L5** will indicate the alarms alternately remaining on for 3" and subsequently flashing 3 times.
The reset takes place by carrying out the procedure described above 2 times.
The first time resets the grease trap signal, the second resets the carbon filter signal.

In the standard mode the carbon filter signal is not active.
In case one uses the hood in filter version is it necessary to enable the carbon filter signal.

Carbon filter signal activation:

Position the hood in OFF and simultaneously hold down keys **1** and **4** for 3".
The led **L1** and **L2** will flash for 5".
Carbon filter signal deactivation:
Position the hood in OFF and simultaneously hold down keys **1** and **4** for 3".
The led **L1** will flash for 2".

Temperature Alarm

The hood is equipped with a temperature sensor that activates the motor to speed 3 in the case that the temperature in the control panel zone becomes too elevated.
The alarm condition is indicated with the sequential flash of the leds **L1**, **L2**, **L3**.
This condition remains until the temperature falls below the alarm threshold.
You can get out of this mode by pressing key **1** or **2**.
Every 30" the sensor checks the environmental temperature of the control panel zone.

Maintenance

Cleaning

Clean using **ONLY** a cloth dampened with neutral liquid detergent. **DO NOT CLEAN WITH TOOLS OR INSTRUMENTS**. Do not use abrasive products. **DO NOT USE ALCOHOL!**

Panel

Maintenance of the panel Fig. 2-3-9-10-11

Disassembly:

- pull the panel (FRONT SIDE) downwards energetically
- unhook it from the back hinges.

Cleaning:

the suction panel must be cleaned as frequently as the grease filter, use a dampened cloth with neutral liquid detergents.
Avoid using products containing abrasives. **DO NOT USE ALCOHOL!**

Assembly:

The panel must be hooked in the back and fixed in the front (with magnets).
Attention! always check that the panel is tightly fixed to its place.

Grease filter

Fig. 2-10

Traps cooking grease particles.

The **grease filter** must be cleaned once a month using non aggressive detergents, either by hand or in the dishwasher, which must be set to a low temperature and a short cycle.
When washed in a dishwasher, the grease filter may discolor slightly, but this does not affect its filtering capacity.
To remove the grease filter, pull the spring release handle.

Charcoal filter (filter version only)

It absorbs unpleasant odors caused by cooking.

Circular charcoal filter

Apply one on each side as cover to both the shield grids of the motor impeller, then turn clockwise.
For the disassembly, turn counter-clockwise.
The activated charcoal filter can be one of these types:

- **Washable activated charcoal filter.**
- **NON-washable activated charcoal filter.**

Washable activated charcoal filter

Fig. 8

The charcoal filter can be washed once every two months (or when the filter saturation indication system – if envisaged on the model in possession – indicates this necessity) using hot water and a suitable detergent, or in a dishwasher at 65°C (if the dishwasher is used, select the full cycle function and leave dishes out).
Eliminate excess water without damaging the filter, then remove the mattress located inside the plastic frame and put it in the oven for 10 minutes at 100° C to dry completely.
Replace the mattress every 3 years and when the cloth is damaged.

NON-washable activated charcoal filter Fig.7

The saturation of the **charcoal filter** occurs after more or less prolonged use, depending on the type of cooking and the regularity of cleaning of the grease filter.
In any case it is necessary to replace the cartridge at least every four months.
The charcoal filter may NOT be washed or regenerated.

Replacing lamps

The hood is equipped with a lighting system based on LED technology.
The LEDs guarantee an optimum lighting, a duration up to 10 times longer than the traditional lamps and allow to save 90% electrical energy.

For replacement, contact the technical service.

Atégase estrictamente a las instrucciones del presente manual. Se declina cada responsabilidad por eventuales inconvenientes, daños o incendios provocados al aparato originados por la inobservancia de las instrucciones colocadas en este manual. La campana extractora ha sido ideada para la aspiración de humos y vapores producidos durante la cocción y para el uso doméstico.

- Es importante guardar este manual para poder consultar si fuera necesario. En el caso de venta, de inutilidad o de mudanza, asegurarse que quede junto al producto.
- Leer atentamente las instrucciones: contiene importantes informaciones sobre la instalación, el uso y la seguridad.
- No realizar variaciones eléctricas o mecánicas en el producto o en el tubo de escape.
- Antes de instalar el aparato, controlar que todas sus partes no estén dañadas. En caso contrario llamar al revendedor y no realizar la instalación.

Nota: Los elementos que están marcados con el símbolo "(*)" son accesorios opcionales suministrados únicamente con algunos modelos o elementos no suministrados, que deben comprarse a parte.



Advertencias

- Antes de llevar a cabo cualquier operación de limpieza o mantenimiento, desconectar la campana de la alimentación eléctrica desenchufando la clavija o desconectando el interruptor general de la vivienda.
- Para todas las operaciones de instalación y mantenimiento utilizar los guantes de trabajo.
- El aparato puede ser usado por niños mayores a 8 años y por personas con discapacidades físicas, sensoriales o mentales, o con falta de experiencia o de conocimiento necesario, previsto que estén bajo vigilancia o después de que las mismas hayan recibido instrucción relacionada con el uso seguro del aparato y de la comprensión de los peligros inherentes a éste.
- Los niños deben ser supervisados para asegurarse de que no jueguen con el aparato.
- La limpieza y el mantenimiento no deben ser realizados por niños sin debida supervisión.

- La habitación debe estar suficientemente ventilada cuando la campana se utiliza contemporáneamente con otros dispositivos a combustión de gas u otros combustibles.

- La campana debe ser limpiada con frecuencia, tanto internamente como externamente (POR LO MENOS UNA VEZ AL MES), en todo caso seguir lo que se indica expresamente en las instrucciones de mantenimiento.

- La inobservancia de las normas de limpieza de la campana y del cambio y la limpieza puede comportar riesgo de incendios.

- Es estrictamente prohibido flamear los alimentos bajo la campana.

- Para la sustitución de la lámpara sólo utilizar el tipo de lámpara indicado en la sección de mantenimiento/sustitución de este manual.

El uso de una llama libre es perjudicial para los filtros y puede provocar incendios, por lo tanto, debe evitarse en cualquier caso.

Los fritos debe realizarse con cuidado para evitar que el aceite caliente prenda fuego.

ATENCIÓN: Cuando la placa de cocción está funcionando las partes accesibles de la campana pueden calentarse.

- No conectar la unidad a la red eléctrica hasta que la instalación sea totalmente completada.

- En cuanto a las medidas técnicas y de seguridad a adoptar para la descarga de los humos, seguir estrictamente lo previsto por los reglamentos de las autoridades locales competentes.

- El aire aspirado no debe ser transportado en un conducto usado para la descarga de humos producidos por

dispositivos de combustión a gas u otros combustibles.

▲ ¡ATENCIÓN! Si no se instalan los tornillos y elementos de fijación de acuerdo con estas instrucciones se puede incurrir en riesgos de naturaleza eléctricos.

- No utilizar ni dejar la campana sin las luces correctamente instaladas debido al posible riesgo de descarga eléctrica.

- No utilizar nunca la campana sin la rejilla montada correctamente!

- La campana NUNCA debe utilizarse como una superficie de apoyo a menos que así se indique específicamente.

- Utilizar sólo los tornillos para fijación suministrados con el producto para su instalación, o, si no se suministran, comprar el tipo correcto de tornillos. Utilizar la longitud correcta para los tornillos que se identifican en la Guía de instalación.

- En caso de duda, consultar el centro de asistencia autorizado o un similar personal calificado.

▲ ¡ATENCIÓN! No utilizar con un programador, temporizador, mando a distancia separado o cualquier otro dispositivo que se active automáticamente.

Conexión eléctrica

La tensión de red debe corresponder con la tensión indicada en la etiqueta colocada en el interior de la campana. Si es suministrada con un enchufe, conectar la campana a un enchufe conforme a las normas en vigor y colocarlo en una zona accesible, aun

después de la instalación. Si no es suministrada con enchufe (conexión directa a la red) o clavija y no es posible situarla en un lugar accesible, aun después de la instalación, colocar un interruptor bipolar de acuerdo con las normativas, para asegurarse la desconexión completa a la red en el caso de la categoría de alta tensión III, conforme con las reglas de instalación.

▲ ATENCIÓN! Antes de reconectar el circuito de la campana a la red y de verificar el correcto funcionamiento, controlar siempre que el cable de red fue montado correctamente.

▲ ATENCIÓN! La sustitución del cable de alimentación debe ser efectuado por el servicio de asistencia técnica autorizado de manera de evitar todo tipo de riesgo.

Instalación


- La distancia mínima entre la superficie de cocción y la parte más baja de la campana no debe ser inferior a 50cm en el caso de cocinas eléctricas y de 50cm en el caso de cocinas a gas o mixtas.

Si las instrucciones para la instalación del dispositivo para cocinar con gas especifican una distancia mayor, hay que tenerlo en consideración.

Este aparato lleva el marcado CE en conformidad con la Directiva 2012/19/EC - UK SI 2013 No.3113 del Parlamento Europeo y del Consejo sobre residuos de aparatos eléctricos y electrónicos (RAEE).

La correcta eliminación de este producto evita consecuencias negativas para el medioambiente y la salud.



El símbolo  en el producto o en los documentos que se incluyen con el producto, indica que no se puede tratar como residuo doméstico. Es necesario entregarlo en un punto de recogida para reciclar aparatos eléctricos y electrónicos.

Deséchelo con arreglo a las normas medioambientales para eliminación de residuos.

Para obtener información más detallada sobre el tratamiento, recuperación y reciclaje de este producto, póngase en contacto con su Municipalidad, con el servicio de eliminación de residuos urbanos o la tienda donde adquirió el producto.

Aparato diseñado, probado y fabricado de acuerdo con:

- Seguridad: EN/IEC 60335-1; EN/IEC 60335-2-31, EN/IEC 62233.

- Prestación: EN/IEC 61591; ISO 5167-1; ISO 5167-3; ISO 5168; EN/IEC 60704-1; EN/IEC 60704-2-13; EN/IEC 60704-3; ISO 3741; EN 50564; IEC 62301.

- EMC: EN 55014-1; CISPR 14-1; EN 55014-2; CISPR 14-2; EN/IEC 61000-3-2; EN/IEC 61000-3-3. Sugerencias para un uso correcto con el fin de reducir el impacto ambiental: Encienda la campana a la velocidad mínima cuando empiece a cocinar y mantenga en marcha durante unos minutos después de haber acabado de cocinar. Aumente la velocidad solo si se produjera una gran cantidad de humo y vapor y use la velocidad o velocidades turbo solo en situaciones extremas. Cambie el filtro o filtros de carbón cuando sea necesario para mantener un buen rendimiento en la reducción de los olores. Limpie el filtro o filtros de grasa cuando sea necesario para mantener un buen rendimiento del filtro de grasa. Utilice el diámetro máximo del sistema de conductos indicado en este manual, para optimizar el rendimiento y minimizar el ruido.

Utilización

La campana está diseñada para ser utilizada tanto en la forma de extracción al exterior como por la forma de recirculante o filtrado de interior.



Versión aspirante

El vapor es evacuado hacia el exterior a través de un tubo de escape introducido en el aro de sujeción que se encuentra arriba de la campana.

⚠ ATENCIÓN!

El diámetro del tubo de escape debe ser igual al diámetro del aro de sujeción.

⚠ ATENCIÓN!

Si la campana está provista de filtro de carbón, hay que sacarlo.

Conectar la campana en los tubos y en los orificios de escape de pared con diámetro equivalente a la salida del aire (brida de empalme).

El uso de tubos u orificios de escape de pared con diámetro inferior, determinará una reducción de los rendimientos de la aspiración y un drástico aumento del ruido.

Se deslinda responsabilidad.

! Utilice un conducto cuya longitud sea la mínima indispensable.

! Utilice un conducto con el menor número posible de curvas (ángulo máximo de la curva: 90°).

! Evite los cambios drásticos en la sección del conducto



Versión filtrante

El aire aspirado vendrá desgrasado y desodorizado antes de ser alimentado de nuevo en la habitación.

Para utilizar la campana en esta versión es necesario instalar un sistema de filtración adicional a base de carbón activado.

Montaje

Este modelo de campana está diseñado para encajar en un mueble o cualquier otro soporte.

Antes de comenzar con la instalación:

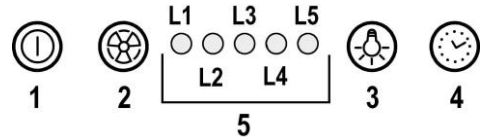
- Asegurarse que el producto adquirido, sea de las dimensiones apropiadas para la zona de instalación escogida.

- Quitar el/los filtro/s al carbón activo (*) si es provisto (ver el párrafo relativo).

Este/tos va/van montado/s nuevamente si se desea utilizar la campana en versión filtrante.

- Verificar que en el interior de la campana no hayan (por motivos de transportes) materiales suministrados (como por ejemplo bolsas con tornillos (*), garantías (*) etc.), eventualmente quitarlos y conservarlos.

Funcionamiento



1 ON/OFF motor

Pulsando el botón la campana extractora se activa a la velocidad 1.

Pulsando el botón durante el funcionamiento de la campana extractora pasa al estado OFF.

2 Aumento velocidad

Pulsando el botón la campana extractora pasa del estado OFF a la velocidad 1.

Pulsando el botón (campana extractora ON) se aumenta la velocidad del motor de la velocidad 1 a la intensiva.

A cada velocidad corresponde la activación del led correspondiente.

Velocidad 1 led L1

Velocidad 2 led L2

Velocidad 3 led L3

Velocidad intensiva led L4 (relampagueante)

La velocidad intensiva es temporizada. La temporización standard es de 5', al final de la cual la campana extractora se coloca a la velocidad 2.

Para desactivar la función antes de que termine el tiempo pulsar el botón 2, la campana se colocará a la velocidad 1, pulsando el botón 1 la campana se apagará

- 3 **ON/OFF luces**
- 4 **Temporización Velocidad**
- 5 **Indicador estado de funcionamiento**

Temporización Velocidad

La temporización de las Velocidades se activa pulsando el botón 4, a temporización terminada la campana extractora se apaga

La temporización se divide así:

Velocidad 1 - 20 minutos (led **L1** relampagueante)

Velocidad 2 - 15 minutos (led **L2** relampagueante)

Velocidad 3 - 10 minutos (led **L3** relampagueante)

Velocidad intensiva - 5 minutos (led **L4** relampagueante)

Durante el funcionamiento temporizado pulsando el botón 1 la campana se apaga, si se pulsa el botón 2 o el botón 4 la campana regresa a la velocidad ajustada.

Indicación filtro grasas

Después de 40 horas de funcionamiento el led **L5** se enciende.

Cuando aparece la indicación el filtro grasas instalado debe ser lavado.

Para resetear la indicación mantener pulsado el botón 1 por 3".

Indicación filtro al carbón

Después de 160 horas de funcionamiento el **L5** relampaguea.

Cuando aparece esta advertencia, el filtro de carbón instalado necesita ser reemplazado

Para resetear la indicación mantener pulsado el botón 1 por 3".

En el caso de indicación contemporánea de ambos filtros, el led **L5** indicará alternativamente las alarmas quedando encendido por 3" y relampagueando sucesivamente por 3 veces.

El reset se lleva a cabo efectuando 2 veces el mismo procedimiento ya descrito.

La primera vez resetea la indicación del filtro grasas, la segunda resetea la indicación del filtro al carbón.

En la modalidad standard la indicación filtro al carbón no está activa.

Si se utiliza la campana extractora en versión filtrante es necesario activar la indicación del filtro al carbón.

Activación indicaciones filtro carbón:

Colocar la campana extractora en OFF y pulsar los botones 1 y 4 por 3".

Los leds **L1** y **L2** relampaguean por 5".

Desactivación indicación filtro al carbón:

Colocar la campana en OFF y pulsar al mismo tiempo los botones 1 y 4 por 3".

El led **L1** relampagueará por 2".

Alarma Temperatura

La campana extractora tiene un sensor de temperatura que activa el motor a la velocidad 3 en el caso en que la temperatura en la zona mandos sea muy elevada.

La condición de alarma se indica con el relampagueo en secuencia de los leds **L1, L2, L3**.

Esta condición permanece hasta cuando la temperatura no va por debajo del nivel de alarma.

Se puede salir de esta modalidad pulsando el botón 1 o 2.

Cada 30" el sensor controla la temperatura ambiente de la zona display.

Mantenimiento

Limpieza

Para la limpieza, utilice **EXCLUSIVAMENTE** un paño impregnado de detergente líquido neutro. **¡NO UTILICE UTENSILIOS O INSTRUMENTOS PARA LA LIMPIEZA!** No utilice productos que contengan abrasivos. **¡NO UTILICE ALCOHOL! ¡NO UTILICE DESINFECTANTES NI PRODUCTOS QUE CONTENGAN CLORO!**

Panel

Fig. 2-3-9-10-11

Mantenimiento del panel

Desmontaje:

a. tire el panel (LADO ANTERIOR) con decisión hacia abajo

b. Desenganchelo de las bisagras traseras.

Limpieza:

el panel de aspiración debe ser limpiado con la misma frecuencia del filtro anti-grasas, use un paño humedecido con detergentes líquidos neutros.

Evite el uso de productos que contienen abrasivos. **NO UTILICE ALCOHOL!**

Montaje :

El panel se engancha detrás y se fija anteriormente (fijación con imanes).

Cuidado! Controle siempre que el panel esté bien fijo en su lugar.

Filtro antigrasa

Fig. 2-10

Retiene las partículas de grasa producidas cuando se cocina.

El filtro antigrasa metálico debe limpiarse una vez al mes con detergentes no agresivos, manualmente o bien en lavavajillas a bajas temperaturas y con ciclo breve.

Con el lavado en el lavavajilla el filtro antigrasa metálico puede desteñirse pero sus características de filtrado no cambian absolutamente.

Para desmontar el filtro antigrasa, tirar de la manija de desenganche de muelle.

Filtro al carbón activo (solamente para la versión filtrante)

Retiene los olores desagradables producidos por la cocción de alimentos.

Filtro de carbón circular

Aplicar uno por lado para cubrir ambas rejillas de protección del rotor del motor, después girar en sentido horario.

Para el desmontaje, girar en sentido antihorario.

El filtro al carbón activo puede ser uno de estos tipos:

- **Filtro al carbón activo lavable.**
- **Filtro a carbones activos NO lavables.**

Filtro al carbón activo lavable

Fig. 8

El filtro al carbón puede lavarse cada dos meses (o cuando el sistema de indicación de saturación de los filtros - si está previsto en el modelo que se posee - indica esta necesidad) con agua caliente y detergentes adecuados o en lavavajillas a 65°C (en caso de lavado con lavavajillas, realice el ciclo de lavado completo sin platos en el interior). Quite el agua que haya quedado en el filtro sin estropearlo, después quite el almohadillado situado en el interior del armazón de plástico y póngalo en el horno a 100°C durante diez minutos para secarlo completamente. Cambie el almohadillado cada 3 años y cada vez que el paño se estropee.

Filtro al carbón activo NO lavable

Fig.7

La saturación del **carbón activado** ocurre después de más o menos tiempo de uso prolongado, dependiendo del tipo de cocina y de la regularidad de limpieza del filtro de grasa. En cualquier caso es necesario sustituir el cartucho al menos cada 4 meses.

NO puede lavarse o reciclarse.

Sustitución de la lámpara

La campana viene provista de un sistema de iluminación basado en la tecnología LED.

Los LEDS garantizan una óptima iluminación, una duración hasta 10 veces mayor de las lámparas tradicionales y permiten ahorrar el 90% de energía eléctrica. .

Para la sustitución dirigirse al servicio asistencia técnica .

Siga especificamente as instruções indicadas neste manual. Declina-se qualquer responsabilidade por eventuais inconvenientes, danos ou incêndios provocados ao aparelho, derivantes da inobservância das instruções indicadas neste manual. O exaustor foi concebido para a aspiração de fumos e vapores de cozedura e é destinado exclusivamente para uso doméstico.

- É importante conservar este manual para eventuais consultas futuras.
Em caso de venda ou mudança, certifique-se que o manual acompanha o produto.
- Leia cuidadosamente as instruções: apresentam importantes informações sobre a instalação, uso e segurança.
- Não efectue variações elétricas ou mecânicas no produto ou nos tubos de fuga.
- Antes de prosseguir com a instalação do aparelho, verifique se todos os componentes não estão danificados. Caso contrário, contacte o seu fornecedor e não prossiga com a instalação.

Nota: As peças sinalizadas com o símbolo "(*)" são acessórios opcionais fornecidos apenas em alguns modelos ou peças não fornecidas, que devem ser compradas.



Advertências

- Antes de fazer qualquer operação de limpeza ou de manutenção, deve-se desligar o exaustor da rede elétrica retirando a tomada ou desligando a alimentação da rede elétrica.
- Usar sempre luvas de trabalho para todas as operações de instalação e manutenção.
- Este aparelho pode ser usado por crianças a partir de 8 anos de idade e por pessoas com reduzidas capacidades físicas, sensoriais e mentais, ou falta de experiência e conhecimento, desde que sejam supervisionadas ou se tiverem recebido as necessárias instruções relativas ao uso em segurança do aparelho e que tenham conhecimento dos riscos envolvidos.
- As crianças não devem ser autorizadas a manipular os comandos ou a brincar com o aparelho.
- A limpeza e a manutenção não devem ser feitas por crianças sem supervisão.

- O local onde o aparelho será instalado, deve ser suficientemente ventilado, quando o exaustor for utilizado em conjunto com outros dispositivos de combustão de gás ou outros combustíveis.

- O exaustor deve ser limpo regularmente, interna e externamente (PELO MENOS UMA VEZ POR MÊS), respeitando expressamente as indicações no manual, nas instruções de manutenção.

- A inobservância das normas de limpeza do aparelho e da substituição e limpeza dos filtros comporta riscos de incêndio.

- É severamente proibido colocar alimentos diretamente na chama, sob o exaustor.

- Para a substituição da lâmpada, utilizar apenas o tipo de lâmpada indicado na secção de Manutenção/Substituição de lâmpadas deste manual.

O uso de chama livre causa danos aos filtros e pode originar incêndios, portanto, deve ser evitado em quaisquer circunstâncias.

Os alimentos fritos devem ser feitos sob controle, para evitar que o óleo sobreaqueça e se incendeie.

CUIDADO: Peças acessíveis do exaustor podem queimar quando utilizado com a placa de fogão.

- Não ligar o aparelho à rede elétrica até que a instalação esteja totalmente concluída.

- Relativamente às medidas técnicas e de segurança a serem adotadas para a descarga de fumos, é importante respeitar rigorosamente os regulamentos fornecidos pelas autoridades locais.

- O sistema de condutas deste aparelho não pode ser conectado a outro sistema de ventilação já existente que esteja a

ser usado para qualquer outra finalidade, como descarga de fumos de aparelhos a gás ou outros combustíveis.

▲ **ATENÇÃO!** A falta de instalação de parafusos ou dispositivos de fixação em conformidade com estas instruções, pode resultar em riscos elétricos

- Não utilizar ou deixar o exaustor sem lâmpadas corretamente montadas, devido ao possível risco de choques elétricos.

- Nunca utilizar o exaustor sem as grades montadas corretamente.

- O exaustor NUNCA deve ser utilizado como uma superfície de apoio, a menos que seja especificamente indicado.

- Usar somente os parafusos de fixação fornecidos com o aparelho, para a instalação, ou, se não for fornecido, comprar o tipo de parafuso correto.

- Usar o comprimento correto para os parafusos que são identificados no Guia de Instalação.

- Em caso de dúvida, consultar um centro de assistência autorizado ou técnico qualificado.

▲ **ATENÇÃO!** Não utilizar com um programador, temporizador, telecomando separado ou qualquer outro dispositivo que se ative automaticamente.

Conexão elétrica

A voltagem da rede elétrica deve corresponder com a voltagem indicada na etiqueta das características, situada no interior do exaustor. Se dotado de ficha, conectar o exaustor a uma tomada, em conformidade com as normas vigentes, posta em zona acessível,

mesmo depois da instalação. Se não tiver ficha (conexão direta à rede) ou a tomada não se encontrar numa zona acessível, mesmo depois da instalação, aplicar um interruptor bipolar, em conformidade com a norma que assegure a desconexão completa da rede nas condições da categoria de sobretensão III, de acordo com as regras de instalação.

▲ **ATENÇÃO!** Antes de conectar novamente o circuito do exaustor com a alimentação elétrica, verificar o seu funcionamento, e verificar se o cabo de rede está montado corretamente.

▲ **ATENÇÃO!** A substituição do cabo de alimentação deve ser efetuada pelo serviço de assistência técnica autorizado de modo a prevenir qualquer risco.

Instalação


- A distância mínima entre a superfície de suporte dos recipientes sobre o fogão e a parte mais baixa do exaustor não deve ser inferior a 50cm no caso de fogões elétricos e 50cm no caso de fogões a gás ou combinados.

Se as instruções de instalação do fogão a gás especificarem uma distância maior, deve-se levar em conta esta indicação.

Este aparelho está classificado de acordo com a Diretiva Europeia 2012/19/EC - UK SI 2013 No.3113 sobre Resíduos de equipamento elétrico e eletrónico (REEE).

Ao garantir a eliminação adequada deste produto, estará a ajudar a evitar potenciais consequências negativas para o ambiente e para a saúde pública, que poderiam derivar de um manuseamento de dispersão inadequada deste produto.



O símbolo  no produto ou nos documentos que acompanham o produto, indica que este aparelho não pode receber um tratamento semelhante ao de uma dispersão doméstica.

Pelo contrário, deverá ser depositado no respectivo centro de

recolha para a reciclagem de equipamento elétrico e eletrônico.

A eliminação deverá ser efetuada em conformidade com as normas ambientais locais para a eliminação de desperdícios.

Para obter informações mais detalhadas sobre o tratamento, a recuperação e a reciclagem deste produto, contate o Departamento na sua localidade, o seu serviço de eliminação de desperdícios domésticos ou a loja onde adquiriu o produto.

Aparelho projetado, testado e fabricado de acordo com:

• Segurança: EN/IEC 60335-1; EN/IEC 60335-2-31, EN/IEC 62233.

• Desempenho: EN/IEC 61591; ISO 5167-1; ISO 5167-3; ISO 5168; EN/IEC 60704-1; EN/IEC 60704-2-13; EN/IEC 60704-3; ISO 3741; EN 50564; IEC 62301.

• EMC: EN 55014-1; CISPR 14-1; EN 55014-2; CISPR 14-2; EN/IEC 61000-3-2; EN/IEC 61000-3-3. Sugestões para uma utilização correta, de modo a reduzir o impacto ambiental: LIGUE o exaustor na velocidade mínima quando começar a cozinhar e mantenha-o em função por mais alguns minutos após ter terminado. Aumente a velocidade somente em caso de muito fumo ou vapor e use as velocidades altas somente em situações extremas. Substitua o(s) filtro(s) a carvão quando necessário, para manter uma boa eficiência na redução dos odores. Limpe o(s) filtro(s) de gordura quando necessário para manter uma boa eficiência. Use o diâmetro máximo do sistema de condutas indicado neste manual para otimizar a eficiência e minimizar o ruído.

Uso

O exaustor é fabricado para ser utilizado na versão aspirante, com exaustão externa do ar, ou filtrante, com recirculação interna.



Versão evacuação para o exterior Os vapores são evacuados para o exterior, por meio de um tubo de descarga fixado à flange de conexão que se encontra sobre o exaustor.

⚠ ATENÇÃO!

O diâmetro do tubo de descarga deve ser equivalente ao diâmetro do anel de conexão.

⚠ ATENÇÃO!

Se o exaustor for dotado de filtros de carvão ativo, estes deverão ser retirados.

Conectar o exaustor aos tubos e orifícios de descarga da parede com diâmetro equivalente à saída de ar (flange de união).

O uso de tubos ou orifícios de descarga de parede com diâmetro inferior, pode provocar a diminuição do desempenho de aspiração e um drástico aumento do ruído.

Não nos responsabilizamos a este respeito.

! Utilizar um tubo condutor com comprimento não inferior ao indicado.

! Utilizar um tubo condutor com o menor número possível de curvas (ângulo máximo da curva: 90°C).

! Evitar alterações drásticas da seção do tubo (diâmetro).



Versão recirculação

O ar aspirado será desengordurado e desodorizado antes de ser recanalizado de volta para o ambiente.

Para usar o exaustor nesta versão é necessário instalar um sistema de filtragem adicional à base de carvão ativado.

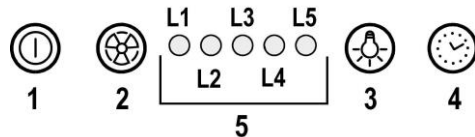
Montagem

Este tipo de coifa deve ser embutida em um pênstil ou outro suporte.

Antes de iniciar a instalação:

- Verificar que o produto adquirido tem as dimensões adequadas para a área escolhida de instalação.
- Tirar o/s filtro/s de carvão ativado (*) se fornecidos (ver também o parágrafo relativo). Este/s deve/m ser remontado/s somente caso se deseje utilizar o exaustor na versão filtrante.
- Verificar se, dentro do exaustor, não há (por motivos de transporte) materiais extras (por exemplo envelopes com parafusos (*), garantias (*) etc.). Caso haja, tirar e conservar.

Funcionamento



1 ON/OFF motor

Ao pressionar o botão, o exaustor acciona-se na velocidade 1.

Ao pressionar o botão durante o funcionamento o exaustor passa ao estado OFF.

2 Aumento velocidade

Ao pressionar o botão, o exaustor passa do estado OFF à velocidade 1.

Ao pressionar o botão (exaustor no estado ON) é aumentada a velocidade do motor da velocidade 1 à intensiva.

A cada velocidade corresponde a ligação do respectivo led.

Velocidade 1 led L1

Velocidade 2 led L2

Velocidade 3 led L3

Velocidade intensiva led L4 (a piscar)

A velocidade intensa é temporizada. A temporização padrão é de 5', no final da qual o exaustor posiciona-se na velocidade 2.

Para desactivar a função antes do tempo terminar pressione o botão 2, o exaustor posiciona-se na velocidade 1, ao pressionar o botão 1 o exaustor desliga-se.

3 ON/OFF luzes

4 Temporização velocidade

5 Indicador do estado de funcionamento

Temporização velocidade

A temporização das velocidades habilita-se ao pressionar o botão **4**, quando a temporização termina o exaustor desliga-se.

A temporização é dividida da seguinte maneira:

Velocidade 1 20 minutos (led **L1** a piscar)

Velocidade 2 15 minutos (led **L2** a piscar)

Velocidade 3 10 minutos (led **L3** a piscar)

Velocidade intensiva 5 minutos (led **L4** a piscar)

Durante o funcionamento temporizado pressionando a tecla **1** o exaustor desliga-se, se pressionar a tecla **2** ou a tecla **4** o exaustor volta à velocidade programada.

Sinalização do filtro antigorduras

Após 40 horas de funcionamento os led **L5** acendem-se

Quando aparece esta sinalização o filtro das gorduras instalado necessita de ser lavado.

Para reiniciar a sinalização mantenha pressionado o botão **1** por 3".

Sinalização do filtro carvão ativo

Após 160 horas de funcionamento os led **L5** piscam

Quando aparece esta sinalização o filtro carvões instalado deve ser substituído.

Para reiniciar a sinalização mantenha pressionado o botão **1** por 3".

No caso de sinalização contemporânea de ambos os filtros, os led **L5** indicarão alternativamente os alarmes ficando acesos por 3" e piscando sucessivamente por 3 vezes.

Para reiniciar deve-se efectuar 2 vezes o processo acima descrito.

A primeira vez reinicia a sinalização do filtro de gorduras, a segunda reinicia a sinalização do filtro carvões.

Na modalidade padrão a sinalização filtro carvões não está activa.

Caso se utilize o exaustor na versão filtrante é necessário habilitar a sinalização do filtro carvões.

Activação da sinalização do filtro carvões:

Posicione o exaustor em OFF e mantenha pressionado contemporaneamente os botões **1** e **4** por 3".

Os led **L1** e **L2** piscam por 5".

Desactivação da sinalização do filtro carvões:

Posicione o exaustor em OFF e mantenha pressionado contemporaneamente os botões **1** e **4** por 3".

O led **L1** pisca por 2".

Alarme Temperatura

O exaustor está equipado com um sensor de temperatura que activa o motor na velocidade 3 no caso em que a temperatura na zona comandos seja demasiado elevada.

As condições de alarme é indicada com o piscar em

sequência dos led **L1, L2, L3**

Esta condição permanece até que a temperatura não desce abaixo do limite de alarme

Pode-se sair desta modalidade pressionando a tecla **1** ou **2**

Cada 30" o sensor verifica a temperatura ambiente da zona display.

Manutenção

Limpeza

Para a limpeza, utilizar um pano humedecido com detergentes líquidos neutros. Evitar o uso de produtos contendo abrasivos. **NÃO UTILIZE ÁLCOOL!**

Painel

Fig. 2-3-9-10-11

Manutenção do painel

Desmontagem:

a. puxe o painle (LADO DIANTEIRO) com firmeza para baixo

b. desaperte-o das fechaduras traseiras.

Limpeza:

o painel de aspiração deve ser limpo com a mesma frequência do filtro gordura, use um pano húmido com detergente líquido neutro.

Evite o uso de produtos que contenham abrasivos. **NÃO UTILIZE ÁLCOOL!**

Montagem:

O painel deve ficar preso na parte traseira e fixado na parte dianteira (fixação com imã).

Atenção! verifique sempre que o painel esteja bem fixado no seu lugar.

Filtro antigordura

Fig. 2-10

Capta as partículas de gordura provenientes da cozedura.

O Filtro de gordura deve ser limpo uma vez por mês com detergentes não agressivos. O filtro pode ser lavado manualmente ou na máquina de lavar louça a baixas temperaturas e com um ciclo breve.

O filtro metálico para a gordura pode perder cor com as lavagens na máquina da louça, mas as suas características de filtração não se alteram.

Para desmontar o filtro antigordura puxe o puxador de libertação com mola.

Filtro de carvão activo (só para a versão filtrante)

Retém os odores desagradáveis produzidos durante a preparação de alimentos.

Filtro a carvão circular

Aplique um em cada lado para cobrir ambas as grelhas de protecção do impulsor do motor, depois disso vire a pega no sentido dos ponteiros dos relógios.

Para a desmontagem vire no sentido contrário aos ponteiros dos relógios.

O filtro de carvão activo pode ser um desse tipos:

- **Filtro de carvão activo lavável.**
- **Filtro de carvão activo NÃO lavável.**

Filtro de carvão activo lavável.

Fig. 8

O filtro de carvão pode ser lavado de dois em dois meses (ou quando o sistema de indicação da saturação dos filtros - se previsto no modelo que se possui – indicar esta necessidade) em água quente e detergentes adequados ou em máquina de lavar louça a 65 °C (para a lavagem em máquina, utilize o ciclo completo sem colocar outra loiça na máquina).

Tire a água em excesso tomando cuidado para não estragar o filtro. Em seguida, tire o pano posto no interior da estrutura de plástico e deixe-o secar definitivamente no forno durante 10 minutos a 100 °C.

Substitua o pano a cada 3 anos e sempre que notar sinais de danos no tecido.

Filtro de carvão ativo NÃO lavável**Fig. 7**

A saturação do filtro de **carvão ativado** verifica-se após um uso mais ou menos prolongado, em função do tipo de cozedura e da regularidade da limpeza do filtro de gorduras. Em todo caso, é necessário substituir o cartucho no máximo a cada 4 meses.

NÃO pode ser lavado ou regenerado.

Substituição das lâmpadas

O exaustor é fornecido com um sistema de iluminação baseado na tecnologia LED.

Os LED garantem uma iluminação melhor e uma duração de até 10 vezes maior que as lâmpadas tradicionais e economizam 90% de energia elétrica.

Para substituir, contactar o serviço de assistência técnica.

Pečlivě dodržujte pokyny uvedené v této příručce. Veškerou odpovědnost za případné nepříjemnosti, škody nebo požáry způsobené nedodržáním pokynů v této příručce odmítáme. Tento spotřebič je určen k použití v domácnostech a podobných oblastech, například: - kuchyňské prostory pro zaměstnance v obchodech, kancelářích a jiných pracovních prostředích; - chalupy; - klienti v hotelech, motelech a jiných prostředích obytného typu; - prostředím typu penzionu se snídaní.

- Je důležité si tuto brožuru uschovat, abyste do ní mohli kdykoli nahlédnout. V případě prodeje, postoupení nebo stěhování se ujistěte, že je brožura spolu s výrobkem.
- Přečtěte si pozorně pokyny: jsou zde důležité informace o instalaci, použití a bezpečnosti.
- Neprovádějte elektrické ani mechanické úpravy na výrobku ani na vývodových kanálech.
- Před instalací spotřebiče zkontrolujte, zda nejsou poškozeny všechny součásti.

Jinak kontaktujte svého prodejce a v instalaci nepokračujte.

Poznámka: Díly označené symbolem „(*)“ jsou volitelným příslušenstvím dodávaným pouze u některých modelů nebo jinak nedodávaným, ale s možností zakoupení.

Upozornění

- Před jakýmkoli čištěním nebo údržbou odpojte digestoř ze sítě vytažením zástrčky nebo odpojením elektrického napájení.
- Při všech montážních a údržbových pracích vždy používejte pracovní rukavice.
- Tento spotřebič mohou používat děti starší osmi let a osoby s omezenými fyzickými, smyslovými nebo duševními schopnostmi nebo osoby nezkušené a neznalé za předpokladu, že mají zajištěný dohled nebo byly poučeny o bezpečném používání spotřebiče a chápou související rizika.
- Dětem nesmí být dovoleno manipulovat s ovládacími prvky nebo si hrát se zařízením.
- Děti nesmějí provádět čištění a užívatelskou údržbu bez dozoru.
- Pokud je kuchyňská digestoř používána společně s jinými plynovými spalovacími zařízeními nebo jinými palivy, musí být prostory, kde je spotřebič nainstalován, dostatečně větrané.

- Digestoř je třeba pravidelně čistit zvenku i zevnitř (**NEJMÉNĚ JEDNOU ZA MĚSÍC**).
- To musí být provedeno v souladu s poskytnutými pokyny pro údržbu. Nedodržení uvedených pokynů týkajících se čištění digestoře a filtrů vede k riziku požáru.

- Pod digestoři neflambujte.
- Během vaření neodstraňujte filtry.
- Pro výměnu žárovek používejte pouze typ žárovky uvedený v části Údržba / Výměna žárovek v této příručce.

Použití otevřeného plamene je pro filtry škodlivé a může způsobit riziko požáru, a proto je třeba se mu za všech okolností vyhnout.

Jakékoli smažení musí být prováděno opatrně, aby se olej nepřehřál a nevznítit. **POZOR:** Při použití se spotřebiči pro vaření, mohou být přístupné součásti digestoře horké.

- Nepřipojujte spotřebič k elektrické síti, dokud není instalace zcela dokončena.
- Pokud jde o technická a bezpečnostní opatření, která je třeba přijmout při vypouštění kouře, je důležité důsledně dodržovat předpisy stanovené místními orgány.
- Vzduch se nesmí odvádět do kouřovodu, který slouží k odvodu kouře ze spotřebiče spalujícího plyn nebo jiná paliva.

▲ VAROVÁNÍ! Pokud nebudou šrouby nebo upevňovací prvky namontovány podle těchto pokynů, mohlo by dojít k úrazu elektrickým proudem.

- Nepoužívejte ani nenechávejte digestoř bez správně namontovaného svítidla kvůli možnému riziku úrazu elektrickým proudem.

- Nikdy nepoužívejte digestoř bez účinně namontovaných mřížek.
- Digestoř NIKDY nesmí být použita jako podpůrná plocha, pokud to není výslovně uvedeno.
- K instalaci používejte pouze upevňovací šrouby dodané s výrobkem nebo, pokud nejsou součástí dodávky, zakupte správný typ šroubů.
- Použijte správnou délku šroubů, která je uvedena v Instalační příručce.
- V případě pochybností se obraťte na autorizované servisní středisko nebo podobnou kvalifikovanou osobu.

▲ **VAROVÁNÍ!** Nepoužívejte s programátorem, časovačem, samostatným systémem dálkového ovládání nebo jiným zařízením, které se automaticky zapíná.



Připojení k elektrickému napájení

Napájení ze sítě musí odpovídat jmenovitému výkonu uvedenému na štítku umístěném uvnitř digestoře. Je-li digestoř vybavena zástrčkou, připojte ji v souladu s platnými předpisy do zásuvky a po instalaci umístěte na přístupném místě. Pokud není vybavena zástrčkou (přímé síťové připojení) nebo pokud není zástrčka umístěna na přístupném místě, použijte po instalaci v souladu s normami dvoupólový vypínač, který zajistí úplné odpojení od sítě za podmínek týkajících se nadproudové kategorie III, v souladu s pokyny k instalaci.

▲ **VAROVÁNÍ!** Před opětovným připojením obvodu digestoře k elektrické síti a kontrolou účinné funkce vždy zkontrolujte, zda je síťový kabel správně sestaven.

▲ **VAROVÁNÍ!** Pokud se poškodí napájecí kabel, výměnu musí provést výrobce, jeho servisní zástupce nebo osoba s podobnou kvalifikací, aby se vyloučilo riziko.


Instalace

- Minimální vzdálenost mezi nosnou plochou pro varné zařízení na varné desce a nejnižší částí digestoře nesmí být menší než 50 cm od elektrických sporáků a 50 cm od plynových nebo smíšených sporáků.

Pokud pokyny pro instalaci plynové varné desky stanoví větší vzdálenost, je nutné ji dodržet.

- Tento spotřebič je označen podle evropské směrnice 2012/19/ES – UK SI 2013 č. 3113 o odpadních elektrických a elektronických zařízeních (OEEZ).
- Zajištěním správné likvidace tohoto výrobku pomůžete předcházet případným negativním důsledkům pro životní prostředí a lidské zdraví, k nimž by jinak mohlo docházet při nesprávné manipulaci s tímto výrobkem.



- Symbol  na výrobku nebo v dokumentech přiložených k výrobku označuje, že s tímto spotřebičem nelze nakládat jako s domovním odpadem. Místo toho je třeba jej odevzdat do příslušného sběrného dvora, kde je zajištěna recyklace elektrického a elektronického vybavení. Likvidace musí být provedena v souladu s místními předpisy pro likvidaci odpadu.
- Další podrobné informace týkající se procesu, sběru a recyklace tohoto produktu získáte u příslušného oddělení místních úřadů nebo místního oddělení pro domácí odpad nebo v obchodě, kde jste tento výrobek zakoupili.

Zařízení navrženo, testováno a vyrobeno podle:

- Bezpečnost: EN/IEC 60335-1; EN/IEC 60335-2-31, EN/IEC 62233.
- Výkonnost: EN/IEC 61591; ISO 5167-1; ISO 5167-3; ISO 5168; EN/IEC 60704-1; EN/IEC 60704-2-13; EN/IEC 60704-3;

ISO 3741; EN 50564; IEC 62301.

• EMC: EN 55014-1; CISPR 14-1; EN 55014-2; CISPR 14-2; EN/IEC 61000-3-2; EN/IEC 61000-3-3. Návrhy na správné použití za účelem snížení dopadu na životní prostředí: Při zahájení vaření zapněte digestoř na minimální rychlost a po skončení vaření ji nechte několik minut běžet. Zrychlujte pouze v případě velkého množství kouře a par a rychlost (rychlosti) navýšujte pouze v extrémních situacích. V případě potřeby vyměňte uhlíkový filtr (uhlíkové filtry), aby byla zachována dobrá účinnost snižování zápachu. V případě potřeby tukový filtr (tukové filtry) vyčistěte, aby byla zachována dobrá účinnost tukového filtru. K optimalizaci účinnosti a minimalizaci hluku použijte maximální průměr odvodního systému uvedený v této příručce.

Používání

Digestoř je navržena pro použití buď pro odsávání, nebo pro verzi s filtrem.



Extrakční verze

V tomto případě jsou výpary odváděny ven z budovy pomocí speciálního potrubí spojeného s přípojovacím kroužkem umístěným na horní straně digestoře.

POZOR!

Odsávací potrubí není součástí dodávky a musí být zakoupeno samostatně.

Průměr odsávacího potrubí musí být stejný jako průměr přípojovacího kroužku.

POZOR!

Pokud je digestoř dodávána s filtrem s aktivním uhlím, je třeba jej vyjmout.

Připojte digestoř a vypouštěcí otvory na stěnách o průměru ekvivalentním výstupu vzduchu (přípojovací příruba).

Použití trubek a vypouštěcích otvorů na stěnách s menšími rozměry způsobí snížení sacího výkonu a drastické zvýšení hluku.

Jakoukoli odpovědnost v této věci proto odmítáme.

! Použijte potrubí o minimální nezbytné délce.

! Použijte potrubí s co nejmenším počtem kolen (maximální úhel kolena: 90°).

! Vyvarujte se drastických změn v průřezu potrubí.



Filtrační verze

Nasávaný vzduch se před vrácením do místnosti odmastí a zbaví zápachu.

Abyste mohli v této verzi digestoř používat, musíte si nainstalovat systém dodatečného filtrování na základě aktivního uhlí.

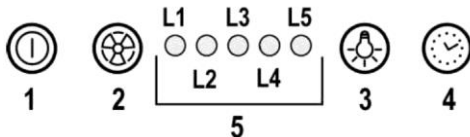
Montáž

Tato digestoř je určena pro montáž do skříně nebo na jinou podpěru.

Před zahájením instalace:

- Zkontrolujte, zda má zakoupený produkt vhodnou velikost pro zvolenou oblast instalace.
- Vyměňte uhlíkový filtr (uhlíkové filtry) (*), pokud je (jsou) součástí dodávky (viz také příslušný odstavec). Tento/tyto prvky se montují pouze v případě, že chcete digestoř použít ve filtrační verzi.
- Zkontrolujte (z přepravních důvodů), zda uvnitř digestoře není žádný jiný dodaný materiál (např. balíčky se šrouby (*), záruky (*) atd.), případně je vyjměte a uschovejte.

Provoz



- 1. ZAPNUTÍ/VYPNUTÍ motoru**
Stisknutím tlačítka se digestoř zapne rychlostí 1. Stisknutím tlačítka během provozu se digestoř vypne.
- 2. Zvýšení rychlosti**
Stisknutím tlačítka přejde digestoř ze stavu VYPNUTO do rychlosti 1.
Stisknutím tlačítka (digestoř ve stavu ZAPNUTO) se rychlost motoru zvýší z rychlosti 1 na intenzivní. Každé rychlosti odpovídá rozsvícení příslušné kontrolky. Rychlost 1 kontrolka **L1**
Rychlost 2 kontrolka **L2**
Rychlost 3 kontrolka **L3**
Intenzivní rychlost kontrolka **L4** (bliká)
Intenzivní rychlost je načasována. Standardní načasování je 5 minut a na konci se digestoř nastaví na rychlost 2.
Pro deaktivaci funkce před vypršením času stiskněte klávesu **2**, digestoř se sama nastaví na rychlost 1, stisknutím klávesy **1** se digestoř vypne.
- 3. ZAPNUTÍ/VYPNUTÍ světla**
- 4. Načasování rychlosti**
- 5. Indikátor stavu funkce**

Načasování rychlosti

Načasování rychlosti se aktivuje stisknutím klávesy **4**, jakmile načasování vyprší, digestoř se vypne.

Načasování je rozděleno takto:

Rychlost 1 – 20 minut (kontrolka **L1** bliká)

Rychlost 2 – 15 minut (kontrolka **L2** bliká)

Rychlost 3 – 10 minut (kontrolka **L3** bliká)

Intenzivní rychlost – 5 minut (kontrolka **L4** bliká)

Během časované funkce se při stisknutí klávesy **1** digestoř vypne, pokud stisknete klávesu **2** nebo **4**, digestoř se vrátí na nastavenou rychlost.

Signalizace lapače tuků

Po 40 hodinách provozu se rozsvítí kontrolka **L5**.

Když se takový signál objeví, je třeba instalovaný lapač tuků umýt. Pro resetování signálu podržte tlačítko **1** stisknuté po dobu 3 vteřin.

Signalizace uhlíkového filtru

Po 160 hodinách provozu začne blikat kontrolka L5.

Když se takový signál objeví, musí být vyměněn nainstalovaný uhlíkový filtr.

Pro resetování signálu podržte tlačítko 1 stisknuté po dobu 3 vteřin.

V případě signalizace obou filtrů současně bude kontrolka L5 indikovat výstrahy tím, že střídavě svítí po dobu 3 vteřin a následně třikrát zabliká.

Reset se provádí provedením výše popsaného postupu dvakrát. Poprvé se resetuje signalizace lapače tuků, podruhé se resetuje signalizace uhlíkového filtru.

Ve standardním režimu není signál uhlíkového filtru aktivní.

V případě, že některý používá digestoř ve verzi s filtrem, je nutné povolit signalizaci uhlíkového filtru.

Aktivace signalizace uhlíkového filtru:

Umístěte digestoř do polohy VYPNUTO a současně podržte stisknuté klávesy 1 a 4 na 3 vteřiny.

Kontrolky L1 a L2 budou blikat 5 vteřin.

Deaktivace signalizace uhlíkového filtru:

Umístěte digestoř do polohy VYPNUTO a současně podržte stisknuté klávesy 1 a 4 na 3 vteřiny.

Kontrolka L1 bude blikat 2 vteřiny.

Výstraha teploty

Digestoř je vybavena teplotním čidlem, které aktivuje motor na rychlost 3 v případě, že se teplota v zóně ovládacího panelu příliš zvýší.

Stav alarmu je indikován postupným blikáním kontrolky L1, L2, L3.

Tento stav přetrvává, dokud teplota neklesne pod prahovou hodnotu výstrahy.

Z tohoto režimu se můžete dostat stisknutím klávesy 1 nebo 2. Každých 30 vteřin čidlo kontroluje teplotu prostředí v zóně ovládacího panelu.

Údržba

Čištění

K čištění používejte **POUZE** hadřík navlhčený neutrálním tekutým čisticím prostředkem. **NEČISTĚTE NÁŘADÍM ANI NÁSTROJÍ.** Nepoužívejte abrazivní prostředky. **NEPOUŽÍVEJTE ALKOHOL!**

Panel

Údržba panelu Obr. 2-3-9-10-11

Demontáž:

- energicky zatáhněte za panel (PŘEDNÍ STRANU) směrem dolů
- uvolněte jej ze zadních pantů.

Čištění:

sací panel musí být čistěn tak často jako tukový filtr, použijte hadřík navlhčený neutrálními tekutými čisticími prostředky. Nepoužívejte výrobky obsahující abraziva. **NEPOUŽÍVEJTE ALKOHOL!**

Montáž:

Panel musí být zavěšen vzadu a upevněn vpředu (pomocí magnetů).

Pozor! vždy zkontrolujte, zda je panel pevně připevněn na své místo.

Tukový filtr

Obr. 2-10

Zachytává částice tuku z vaření.

Tukový filtr je třeba čistit jednou měsíčně pomocí neagresivních mycích prostředků, a to buď ručně, nebo v myčce, která musí být nastavena na nízkou teplotu a krátký cyklus. Při mytí v myčce může tukový filtr mírně změnit barvu, což však nemá vliv na jeho filtrační schopnost.

Pro odstranění tukového filtru zatáhněte za uvolňovací pružinu.

Uhlíkový filtr (pouze verze s filtrem)

Pohlujce nepříjemné pachy způsobené vařením.

Kruhový uhlíkový filtr

Na obě mřížky štítu rotoru motoru přiložte za každé strany jeden filtr jako kryt a otočte ve směru hodinových ručiček.

Při demontáži otáčejte proti směru hodinových ručiček.

Filtr s aktivním uhlím může být jeden z těchto typů:

- **Omyvatelný filtr s aktivním uhlím.**
- **NEomyvatelný filtr s aktivním uhlím.**

Omyvatelný filtr s aktivním uhlím

Obr. 8

Uhlíkový filtr lze mýt jednou za dva měsíce (nebo když systém indikace nasycení filtru – pokud je u daného modelu k dispozici – indikuje tuto nutnost) horkou vodou a vhodným mycím prostředkem nebo v myčce při teplotě 65 °C (pokud používáte myčku, zvolte funkci plného cyklu a nechte nádobí venku).

Odstraňte přebytečnou vodu, aniž byste poškodili filtr, poté vyjměte rohož umístěnou uvnitř plastového rámu a vložte ji do trouby na 10 minut při 100 °C, aby úplně vyschla. Rohož vyměňujte každé 3 roky a při poškození látky.

Omyvatelný filtr s aktivním uhlím Obr.7

K nasycení **uhlíkového filtru** dochází po více či méně dlouhém používání v závislosti na typu vaření a pravidelnosti čištění tukového filtru.

V každém případě je nutné vložku vyměnit alespoň každé čtyři měsíce.

Filtr s aktivním uhlím **NELZE** umývat ani regenerovat.

Výměna žárovek

Digestoř je vybavena systémem osvětlení založeným na technologii LED.

LED diody zaručují optimální osvětlení, výdrž až 10krát delší než u tradičních žárovek a umožňují ušetřit 90% elektrické energie.

Pro výměnu kontaktujte technickou službu.

Dôkladne dodržiavajte pokyny uvedené v tejto príručke. Akákoľvek zodpovednosť za prípadné ťažkosti, škody alebo požiare spôsobené nedodržaním pokynov v tejto príručke je vylúčená. Tento spotrebič je určený na používanie v domácnostiach a v podobných miestach, ako: - priestory kuchyne pre zamestnancov v obchodoch, kanceláriách a iných pracovných prostrediach; - hospodárske domy; - klientmi v hoteloch, moteloch a iných prostrediach obytného typu; - prostredie typu nocľah s raňajkami.

- Je dôležité, aby ste si túto brožúru uschovali a mohli do nej kedykoľvek nahliadnuť. V prípade predaja, postúpenia alebo presunu sa uistite, že je pripojená k výrobku.
- Pozorne si prečítajte pokyny: obsahujú dôležité informácie o inštalácii, používaní a bezpečnosti.
- Na výrobku alebo na vypúšťacích potrubíach nevykonávajte elektrické ani mechanické zmeny.
- Pred pokračovaním v inštalácii spotrebiča skontrolujte, či nie sú poškodené všetky komponenty. V opačnom prípade kontaktujte svojho predajcu a nepokračujte v inštalácii.

Poznámka: Časti označené symbolom „(*)“ sú voliteľným príslušenstvom dodávaným len s niektorými modelmi ale sú k dispozícii na zakúpenie, ak sa s produktom nedodávajú.

Upozornenie

- Pred akýmkoľvek čistením alebo údržbou digestor odpojte od elektrickej siete odpojením zo zástrčky alebo elektrického napájania.
- Na všetky inštalácie a údržbárske práce vždy používajte pracovné rukavice.
- Deti staršie ako 8 rokov a osoby s obmedzenými fyzickými, zmyslovými alebo duševnými schopnosťami alebo nedostatkom skúseností či vedomostí môžu tento prístroj používať pod dohľadom, resp. po poučení a oboznámení sa s bezpečným spôsobom používania a porozumení možným nebezpečenstvám.
- Deti nesmú manipulovať s ovládacími prvky ani sa so spotrebičom hrať.
- Čistenie a údržbu nesmú vykonávať deti bez dozoru.
- Priestory, v ktorých je spotrebič nainštalovaný, musia byť dostatočne vetrané v prípade, že sa digestor používa spolu s inými zariadeniami na spaľovanie plynov alebo inými palivami.

- Digestor je potrebné pravidelne čistiť zvnútra aj zvonku (ASPOŇ RAZ MESAČNE).

- Uvedené je potrebné splniť v súlade s poskytnutými pokynmi na údržbu. Nedodržanie uvedených pokynov týkajúcich sa čistenia digestora a filtrov bude viesť k nebezpečenstvu požiaru.

- Pod odsávačom pár neflambujte.
- Počas varenia neodstraňujte filtre.
- Pri výmene svetelného zdroja používajte len svetelný zdroj uvedený v časti Údržba/výmena svetelného zdroja v tomto návode. Použitie exponovaných plameňov poškodzuje filtre a môže spôsobiť nebezpečenstvo požiaru, a preto je potrebné sa mu za každých okolností vyhnúť.

Akékoľvek vyprážanie vykonávajte opatrne, aby sa zabezpečilo, že sa olej neprehreje a nevznieti.

UPOZORNENIE: Pri používaní digestora s kuchynskými spotrebičmi sa nekryté časti môžu zahriať na vysoké teploty.

- Spotrebič nepripájajte k elektrickej sieti, kým inštalácia nie je úplne dokončená.
- Pokiaľ ide o technické a bezpečnostné opatrenia, ktoré sa majú prijať na vypúšťanie dymu, je dôležité dôsledne dodržiavať predpisy miestnych orgánov.
- Vzduch sa nesmie odvádzať do komína, ktorý slúži na odvádzanie výfukových plynov zo spotrebiča spaľujúceho plyn alebo iné palivá;

▲ VAROVANIE! V prípade nenainštalovania skrutiek alebo upevňovacieho zariadenia v súlade s týmito pokynmi môžu hroziť elektrické riziká.

- Digestor nepoužívajte ani ho nenechajte bez správne namontovanej lampy z dôvodu možného rizika úrazu elektrickým prúdom.

- Digestor nikdy nepoužívajte bez účinne namontovaných mriežok.
- Digestor sa NIKDY nesmie používať ako nosná plocha, pokiaľ nie je výslovne uvedené inak.
- Na inštaláciu používajte len upevňovacie skrutky dodávané s výrobkom, alebo ak nie sú dodávané, zakúpte správny typ skrutiek.
- Použite správnu dĺžku skrutiek, ktoré sú uvedené v návode na inštaláciu.
- V prípade pochybností sa obráťte na autorizované servisné asistenčné stredisko alebo podobnú kvalifikovanú osobu.

▲ **VAROVANIE!** Nepoužívajte s programátorom, časovačom, samostatným systémom diaľkového ovládania alebo iným zariadením, ktoré sa automaticky zapína.

⚠ Elektrické pripojenie

Napájanie zo siete musí zodpovedať hodnotám uvedeným na štítku umiestnenom vo vnútri digestora. Ak je k dispozícii zástrčka, po inštalácii pripojte digestor k zásuvke v súlade s platnými predpismi a umiestnite ho na prístupnom mieste. Ak nie je vybavený zástrčkou (priame zapojenie do siete) alebo ak sa zástrčka nenachádza v prístupnom priestore, po inštalácii použite dvojité výhybkový spínač v súlade s normami, ktoré zabezpečujú úplné odpojenie siete v podmienkach nadprúdovej kategórie III v súlade s inštaláčnymi pokynmi.

▲ **VAROVANIE!** Pred opätovným pripojením obvodu digestora k sieťovému napájaniu a kontrolou efektívnej funkcie vždy skontrolujte, či je sieťový kábel správne namontovaný.

▲ **VAROVANIE!** Ak je poškodený vonkajší napájací kábel, v záujme eliminácie akéhokoľvek rizika ho musí vymeniť výrobca, jeho servisný zástupca alebo rovnako kvalifikovaná osoba.


Inštalácia

- Minimálna vzdialenosť medzi nosnou plochou varného zariadenia na varnej doske a najnižšou časťou odsávača pár nesmie byť menšia ako 50 cm od elektrických sporákov a 50 cm od plynových alebo zmiešaných sporákov.

Ak je v návode na inštaláciu plynovej varnej dosky uvedená väčšia vzdialenosť, je potrebné ju dodržať.

- Tento spotrebič je označený podľa európskej smernice 2012/19/ES - UL SI 2013 č. 3113 o odpade z elektrických a elektronických zariadení (OEEZ).
- Zabezpečením správnej likvidácie tohto výrobku pomôžete zabrániť možným negatívnym vplyvom na životné prostredie a ľudské zdravie, ktoré by inak mohli byť spôsobené nevhodným nakladaním s týmto výrobkom pri likvidácii.



- Symbol  na výrobku alebo na dokumentácii k výrobku označuje, že so spotrebičom sa nesmie zaobchádzať ako s komunálnym odpadom.. Namiesto toho je potrebné systém odovzdať na príslušnom zbernom mieste na recykláciu elektrických a elektronických zariadení. Likvidácia sa musí vykonávať v súlade s miestnymi environmentálnymi predpismi pre likvidáciu odpadu.
- Ďalšie podrobné informácie o procese, zbere a recyklácii tohto výrobku získate od príslušného oddelenia miestnych orgánov alebo miestneho oddelenia pre komunálny odpad alebo obchodu, v ktorom ste tento výrobok zakúpili.

Spotrebič navrhnutý, skúšaný a vyrobený podľa:

- Bezpečnosť: EN/IEC 60335-1; EN/IEC 60335-2-31, EN/IEC 62233.
- Výkon: EN/IEC 61591; ISO 5167-1; ISO 5167-3; ISO 5168; EN/IEC 60704-1; EN/IEC 60704-2-13; EN/IEC 60704-3;

ISO 3741; EN 50564; IEC 62301.

• EMC: EN 55014-1; CISPR 14-1; EN 55014-2; CISPR 14-2; EN/IEC 61000-3-2; EN/IEC 61000-3-3. Návrhy na správne použitie s cieľom znížiť vplyv na životné prostredie: Keď začnete variť, zapnite digestor s minimálnou rýchlosťou a po skončení varenia ho nechajte niekoľko minút bežať. Rýchlosť zvýšite len v prípade veľkého množstva dymu a výparov a zvyšovanie rýchlosti používajte len v extrémnych situáciách. V prípade potreby vymeňte filter(-y) s aktívnym uhlím, aby sa zachovala dobrá účinnosť znižovania zápachu. V prípade potreby vyčistite tukový filter(-y), aby sa zachovala jeho dobrá účinnosť. Na optimalizáciu účinnosti a minimalizáciu hluku použite maximálny priemer potrubného systému uvedený v tejto príručke.

Použitie

Digestor je určený buď na odsávanie alebo na filtrovanie.



Verzia extrakcie

V tomto prípade sú výpary dopravované mimo budovy pomocou špeciálneho potrubia spojeného s pripojovacím krúžkom umiestneným v hornej časti digestora.

! POZOR!

Odsávacie potrubie nie je súčasťou balenia a je potrebné o zakúpiť samostatne.

Priemer odsávacieho potrubia sa musí rovnať priemeru spojovacieho krúžku.

! POZOR!

Ak sa digestor dodáva s filtrom obsahujúcim aktívne uhlie, je potrebné ho odstrániť.

Pripojte digestor a vypúšťacie otvory na stenách s priemerom ekvivalentným výstupu vzduchu (pripojovacia príruha).

Použitie rúrok a vypúšťacích otvorov na stenách s menšími rozmermi vedie k zníženiu sacieho výkonu a rapidnému zvýšeniu hluku.

Akkoľvek zodpovednosť v tejto veci je preto vylúčená.

! Použite potrubie s minimálnou nevyhnutnou dĺžkou.

! Použite potrubie s čo najmenším počtom laktov (maximálny uhol laktá: 90°).

! Nevykonaвайте drastické zmeny prierezu potrubia.



Verzia filtrácie

Nasávaný vzduch je pred privedením späť do miestnosti odmastený a zbavený pachu.

Ak chcete používať digestor v tejto verzii, musíte nainštalovať systém dodatočného filtrovania s aktívnym uhlím.

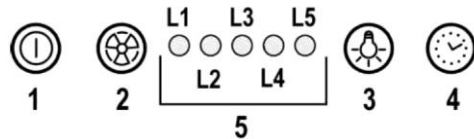
Montáž

Tento digestor je určený pre montáž do skrinky alebo na inú podporu.

Pred začatím inštalácie:

- Skontrolujte, či je zakúpený produkt vhodnej veľkosti pre zvolený priestor inštalácie.
- Odstráňte filter(-y) s aktívnym uhlím (*), ak sú tie súčasťou balenia (pozri tiež príslušný odsek). Filter/filtre má/majú byť namontovaný/namontované iba ak chcete použiť digestor vo filtračnej verzii.
- (Z prepravných dôvodov) skontrolujte či vo vnútri digestora nie je žiadny iný dodávaný materiál (napr. balenia so skrútkami (*), záruky (*) atď.), prípadne ich odstráňte a uschovajte.

Prevádzka



- 1. ZAPNUTIE/VYPNUTIE motora**
Stlačením tlačidla sa digestor zapne rýchlosťou 1. Stlačením tlačidla počas prevádzky sa digestor VYPNE.
- 2. Zvýšenie rýchlosti**
Stlačením tlačidla prejde digestor z VYPNUTÉHO stavu na rýchlosť 1. Stlačením tlačidla (digestor v stave ZAPNUTÝ) sa rýchlosť motora zvýši z rýchlosti 1 na intenzívnu. Každé rýchlosti zodpovedá zapálenie príslušnej LED diódy. Otáčky 1 LED L1
Otáčky 2 LED L2
Otáčky 3 LED L3
Intenzívna rýchlosť LED L4 (blikajúca)
Intenzívna rýchlosť je časovaná. Štandardné načasovanie je 5 minút, na konci ktorého sa digestor nastaví na rýchlosť 2. Ak chcete funkciu deaktivovať pred uplynutím času, stlačte tlačidlo 2, digestor sa sám nastaví na rýchlosť 1, stlačením tlačidla 1 sa digestor vypne.
- 3. ZAPNUTIE/VYPNUTIE svetiel**
- 4. Časovanie rýchlosti**
- 5. Indikátor stavu funkcie**

Časovanie rýchlosti

Časovanie rýchlosti sa aktivuje stlačením tlačidla 4, po uplynutí časového limitu sa digestor vypne.

Načasovanie je rozdelené nasledovne:

Rýchlosť 1 - 20 minút (LED dióda L1 bliká)

Rýchlosť 2 - 15 minút (LED dióda L2 bliká)

Rýchlosť 3 - 10 minút (LED dióda L3 bliká)

Intenzívna rýchlosť - 5 minút (LED dióda L4 bliká)

Počas funkcie časovania rýchlosti stlačením tlačidla 1 sa digestor vypne, ak stlačíte tlačidlo 2 alebo tlačidlo 4, digestor sa vráti na nastavenú rýchlosť.

Signál lapača mastnoty

Po 40 hodinách prevádzky sa rozsvieti LED dióda L5.

Keď sa objaví takýto signál, nainštalovaný lapač mastnoty je potrebné umyť. Ak chcete vynulovať signál, podržte tlačidlo 1 stlačené pod dobu 3 minút..

Signál uhlíkového filtra

Po 160 hodinách prevádzky bliká LED dióda L5 .

Keď sa objaví takýto signál, je potrebné vymeniť nainštalovaný uhlíkový filter.

Ak chcete vynulovať signál, podržte tlačidlo 1 stlačené pod dobu 3 minút..

V prípade signalizácie oboch filtrov súčasne LED dióda L5 indikuje alarmy, ktoré zostávajú striedavo zapnuté po dobu 3 minút a následne blikajú 3-krát.

Resetovanie vykonáte dvojnásobným opakovaním postupu popísaného vyššie.

Prvým vykonaním postupu resetujete signál lapača mastnoty, druhým resetujete signál uhlíkového filtra.

V štandardnom režime nie je signál uhlíkového filtra aktívny.

V prípade, že sa digester používa vo filtračnej verzii, je potrebné povoliť signál uhlíkového filtra.

Aktivácia signálu uhlíkového filtra:

Umiestnite digester do polohy OFF a súčasne podržte stlačené klávesy 1 a 4 po dobu 3 minút..

LED diódy L1 a L2 budú blikat' 5 minút.

Deaktivácia signálu uhlíkového filtra:

Umiestnite digester do polohy OFF a súčasne podržte stlačené klávesy 1 a 4 po dobu 3 minút..

LED dióda L1 bude blikat' po dobu 2 minút.

Alarm teploty

Digester je vybavený teplotným snímačom, ktorý aktivuje motor na rýchlosť 3 v prípade, že sa teplota v zóne ovládacieho panela príliš zvýši.

Stav alarmu je signalizovaný sekvenčným blikaním LED diód L1, L2, L3.

Táto podmienka zostáva zachovaná, kým teplota neklesne pod prahovú hodnotu alarmu.

Z tohto režimu sa môžete dostať stlačením klávesu 1 alebo 2. Každých 30 minút senzor kontroluje teplotu prostredia zóny ovládacieho panela.

Údržba

Čistenie

Čistite LEN handričkou navlhčenou v neutrálnom tekutom čistiacom prostriedku. **NEČISTITE NÁRADÍM ANI NÁSTROJMI.** Nepoužívajte abrazívne prostriedky. **NEPOUŽÍVAJTE PROSTRIEDKY S ALKOHOLOM!**

Panel

Údržba panelu Obr. 2-3-9-10-11

Demontáž:

- silno potiahnite panel (PREDNÚ STRANU) smerom nadol
- a odpojte ho od zadných pántov.

Čistenie:

sací panel sa musí čistiť tak často ako mazací filter, použite navlhčenú handričku s neutrálnymi tekutými čistiacimi prostriedkami. Nepoužívajte prípravky obsahujúce abrazíva. **NEPOUŽÍVAJTE PROSTRIEDKY S ALKOHOLOM!**

Montáž:

Panel musí byť zavesený vzadu a upevnený vpredu (pomocou magnetov).

Pozor! Vždy skontrolujte, či je panel pevne pripojený k svojmu miestu.

Mazací filter

Obr. 2-10

Zachytiť častice mastnoty pri varení.

Filter na tuk je potrebné čistiť raz za mesiac pomocou neagresívnych čistiacich prostriedkov, a to ručne alebo v umývačke riadu, ktoré musia byť nastavené na nízku teplotu a krátky cyklus. Keď sa umýva v umývačke riadu, mastný filter sa môže mierne sfarbiť, ale to nemá vplyv na jeho filtračnú kapacitu.

Ak chcete mazací filter odstrániť, potiahnite pružinovú uvoľňovaciu rúkoväť.

Filter s uhlím (len verzia s filtrom)

Absorbuje nepríjemné pachy spôsobené varením.

Kruhový filter s uhlím

Umiestnite na každej strane ako kryt na obidve tieniace mriežky obežného kola motora a potom otočte v smere hodinových ručičiek.

Pre demontáž otočte proti smeru hodinových ručičiek.

Filter s aktívnym uhlím môže byť niektorý z týchto typov:

- **Umývateľný filter s aktívnym uhlím.**
- **Neumývateľný filter s aktívnym uhlím.**

Umývateľný filter s aktívnym uhlím

Obr. 8

Filter na uhlie sa môže umývať raz za dva mesiace (alebo to vyzáduje indikačný systém saturácie filtra - v prípade, že model takýto systém má) pomocou horúcej vody a vhodného čistiaceho prostriedku alebo v umývačke riadu pri teplote 65 °C (ak sa používa umývačka riadu, zvolte funkciu úplného cyklu a nechajte riad vonku).

Odstráňte prebytočnú vodu bez poškodenia filtra, potom vyberte vložku umiestnenú vo vnútri plastového rámu a vložte ju na 10 minút do rúry pri teplote 100 °C, aby úplne zaschol. Vložku vymieňajte každé 3 roky a pri poškodení handričky.

Neumývateľný filter s aktívnym uhlím Obr. 7

Nасыtienie **uhlíkového filtra** nastáva po viac-menej dlhšom používaní v závislosti od typu varenia a pravidelnosti čistenia tukového filtra.

V každom prípade je zásobník potrebné vymeniť aspoň za štyri mesiace.

Uhlíkový filter sa nesmie umývať ani regenerovať.

Výmena svietidiel

Digester je vybavený osvetľovacím systémom s LED technológiou.

LED diódy zaručujú optimálne osvetlenie, majú životnosť až 10-krát vyššiu ako tradičné svietidlá a umožňujú ušetriť 90 % elektrickej energie.

V prípade výmeny sa obráťte na technickú službu.

Befolgen Sie die Anweisungen in diesem Handbuch genau. Für eventuelle Unannehmlichkeiten, Schäden oder Brände, die durch Nichtbeachtung der Anweisungen in diesem Handbuch entstehen, übernehmen wir keinerlei Haftung. Dieses Gerät ist ausschließlich für den Hausgebrauch und Verwendungen folgenden Typs bestimmt: – in Personal-küchen von Geschäften, Büros und anderen Arbeitsumgebungen; – in Landhöfen, von Kunden in Hotels, Motels und ähnlichen Unterkünften – für Bed & Breakfasts (B&B) und ähnliche Unterkünfte.

- Heben Sie diese Anleitung auf, um jederzeit darin nachschlagen zu können. Im Falle eines Verkaufs, einer Abtretung oder eines Umzugs ist darauf zu achten, dass die Anleitung zusammen mit dem Produkt weitergegeben wird.
- Lesen Sie die Anleitung sorgfältig durch: Sie enthält wichtige Informationen zu Installation, Gebrauch und Sicherheit.
- Führen Sie keine elektrischen oder mechanischen Veränderungen am Produkt oder an den Abluftleitungen durch.
- Vergewissern Sie sich vor der Installation des Geräts, dass alle Bauteile intakt sind. Ist dies nicht der Fall, wenden Sie sich an Ihren Händler und fahren Sie nicht mit der Installation fort.

Hinweis: Bei mit dem Symbol „(*)“ gekennzeichneten Teilen handelt es sich um optionales Zubehör, das nur bei einigen Modellen mitgeliefert wird, oder um Teile, die nicht mitgeliefert werden, aber käuflich erworben werden können.



Vorsicht

- Trennen Sie die Haube vor jeder Reinigung oder Wartung vom Stromnetz, indem Sie den Stecker ziehen oder die Stromzufuhr unterbrechen.
- Tragen Sie bei allen Installations- und Wartungsarbeiten immer Arbeitshandschuhe.
- Dieses Gerät kann von Kindern ab 8 Jahren und Personen mit eingeschränkten körperlichen, sensorischen oder geistigen Fähigkeiten oder mangelnder Erfahrung und mangelndem Wissen benutzt werden, wenn diese in die sichere Bedienung des Geräts eingewiesen wurden oder beaufsichtigt werden und die damit verbundenen Gefahren verstanden haben.
- Kinder dürfen sich nicht an den Bedienelementen zu schaffen machen oder mit dem Gerät spielen.
- Kinder dürfen das Gerät nur unter Aufsicht reinigen und pflegen.
- Die Räumlichkeiten, in denen das Gerät installiert ist, müssen ausreichend belüftet sein, wenn die Dunstabzugshaube zusammen mit anderen Gasverbrennungsgeräten oder anderen Brennstoffen verwendet wird.

- Die Haube muss regelmäßig von innen und außen gereinigt werden (MINDESTENS EINMAL IM MONAT).

- Dies muss in Übereinstimmung mit der mitgelieferten Wartungsanleitung erfolgen. Die Nichtbeachtung der Anweisungen für die Reinigung der Haube und Filter führt zu Brandgefahr.

- Flambieren Sie keine Gerichte unter der Abzugshaube.

- Entfernen Sie die Filter nicht während des Kochens.

- Verwenden Sie zum Auswechseln der Leuchten nur den Leuchtentyp, der im Abschnitt Wartung/ Ersetzen der Leuchten in diesem Handbuch angegeben ist.

Die Verwendung offener Flammen ist schädlich für die Filter und kann ein Brandrisiko darstellen und muss daher unter allen Umständen vermieden werden.

Gehen Sie beim Frittieren besonders vorsichtig vor, damit sich das Öl nicht überhitzt und entzündet.

VORSICHT: Es ist möglich, dass sich bestimmte Teile der Abzugshaube beim Kochen stark erhitzen.

- Schließen Sie das Gerät erst dann an das Stromnetz an, wenn die Installation vollständig abgeschlossen ist.

- Hinsichtlich der technischen und sicherheitstechnischen Maßnahmen, die bei der Ableitung von Dämpfen zu ergreifen sind, ist es wichtig, die von den örtlichen Behörden erlassenen Vorschriften genau zu beachten.

- Die Abluft darf nicht in einen Rauchfang geleitet werden, der auch für die Abgase einer Gas- oder Ölheizung verwendet wird.

⚠️ WARNING! Werden Schrauben nicht richtig festgezogen oder wird das Gerät nicht gemäß dieser Anleitung eingebaut, können Gefahren durch elektrischen Strom entstehen.

- Benutzen Sie die Haube nicht, wenn die Leuchte nicht korrekt montiert ist, da die Gefahr eines elektrischen Schlages besteht.
- Verwenden Sie die Haube niemals ohne wirksam angebrachte Gitter.
- Die Haube darf NIEMALS als Auflagefläche verwendet werden, es sei denn, dies ist ausdrücklich angegeben.
- Verwenden Sie für die Installation nur die mit dem Produkt gelieferten Befestigungsschrauben oder kaufen Sie, falls nicht mitgeliefert, den richtigen Schraubentyp.
- Verwenden Sie die in der Installationsanleitung angegebene Schraubenlänge.
- Wenden Sie sich im Zweifelsfall an eine autorisierte Kundendienststelle oder eine ähnlich qualifizierte Person.

▲ WARNUNG! Verwenden Sie das Gerät nicht mit einem Programmierer, einer Zeitschaltuhr, einem separaten Fernbedienungssystem oder einem anderen Gerät, das sich automatisch einschaltet.

⚠ Elektrischer Anschluss

Die Netzspannung muss dem auf dem Schild im Inneren der Haube angegebenen Wert entsprechen. Wenn die Haube mit einem Stecker versehen ist, schließen Sie sie nach der Installation an eine Steckdose an, die den geltenden Vorschriften entspricht und sich in einem zugänglichen Bereich befindet. Wenn das Gerät nicht mit einem Stecker ausgestattet ist (direkter Netzanschluss) oder wenn sich der Stecker nicht in einem zugänglichen Bereich befindet, muss nach der Installation ein zweipoliger, normgerechter Schalter verwendet werden, der die vollständige Abschaltung des Netzes unter den Bedingungen der Überstromkategorie III gewährleistet, und zwar gemäß den Installationsanweisungen.

▲ WARNUNG! Bevor Sie die Haube wieder an das Stromnetz anschließen und die Funktionstüchtigkeit überprüfen, kontrollieren Sie immer, ob das Netzkabel korrekt montiert ist.

▲ WARNUNG! Wenn das Stromkabel beschädigt ist, muss es vom Hersteller oder von seinem Service-Mitarbeiter, oder einer gleichwertig qualifizierten Person ausgetauscht werden, um jegliches Risiko zu vermeiden.


Installation

- Der Mindestabstand zwischen der Auflagefläche für das Kochgeschirr auf dem Kochfeld und dem untersten Teil der Dunstabzugshaube muss bei Elektroherden mindestens 50 cm und bei Gas- oder Mischherden mindestens 50 cm betragen. Wenn in der Installationsanleitung für das Gaskochfeld ein größerer Abstand angegeben ist, muss dieser eingehalten werden.

- Dieses Elektrohaushaltsgerät ist entsprechend der EU-Richtlinie 2012/19/EC (UK SI 2013 No.3113) über Elektro- und Elektronik-Altgeräte (WEEE) gekennzeichnet.

- Bitte stellen Sie sicher, dass das Produkt nach seiner Außerbetriebnahme ordnungsgemäß entsorgt wird. Damit tragen Sie dazu bei, gesundheits- und umweltschädigende Auswirkungen zu verhindern, die eine nicht korrekte Entsorgung am Ende der Nutzungsdauer zur Folge haben könnte.



- Das Symbol  auf dem Produkt oder auf der Verpackung weist darauf hin, dass es nicht als Hausmüll behandelt werden darf. Stattdessen sollte es an die zuständige Sammelstelle für das Recycling von Elektro- und Elektronik-Altgeräten übergeben werden. Die Entsorgung muss im Einklang mit den geltenden Umweltrichtlinien für die Abfallentsorgung erfolgen.

- Für weitere detaillierte Informationen über das Verfahren, die Sammlung und das Recycling dieses Produkts wenden Sie sich bitte an die zuständige Abteilung Ihrer örtlichen Behörde oder an das örtliche Amt für Haushaltsabfälle oder an das Geschäft, in dem Sie dieses Produkt erworben haben.

Das Gerät wurde gemäß den folgenden Normen entwickelt, geprüft und hergestellt:

- Sicherheit: EN/IEC 60335-1; EN/IEC 60335-2-31, EN/IEC 62233.
- Leistung: EN/IEC 61591; ISO 5167-1; ISO 5167-3; ISO 5168; EN/IEC 60704-1; EN/IEC 60704-2-13; EN/IEC 60704-3; ISO 3741; EN 50564; IEC 62301.

- EMC: EN 55014-1; CISPR 14-1; EN 55014-2; CISPR 14-2; EN/IEC 61000-3-2; EN/IEC 61000-3-3. Vorschläge für eine korrekte Verwendung, um die Umweltbelastung zu verringern: Schalten Sie die Dunstabzugshaube zu Beginn des Garvorgangs bei minimaler Geschwindigkeit ein und lassen Sie sie nach Beendigung des Garvorgangs noch einige Minuten laufen. Erhöhen Sie die Geschwindigkeit nur bei starker Rauch- und Dampfentwicklung und verwenden Sie die Boost-Geschwindigkeit(en) nur in Extremsituationen. Wechseln Sie den/die Aktivkohlefilter bei Bedarf aus, um eine gute Geruchsreduzierung zu gewährleisten. Reinigen Sie den/die Fettfilter bei Bedarf, um eine gute Effizienz des Fettfilters zu erhalten. Verwenden Sie den in diesem Handbuch angegebenen maximalen Durchmesser des Abluftsystems, um die Effizienz zu optimieren und die Geräusentwicklung zu minimieren.

Nutzung

Die Haube ist so konzipiert, dass sie entweder als Absaugung oder als Filter verwendet werden kann.



Absaugversion

In diesem Fall werden die Dämpfe über ein spezielles Rohr, das mit dem Anschlussring oben auf der Haube verbunden ist, aus dem Gebäude geleitet.



VORSICHT!

Das Abluftrohr ist nicht im Lieferumfang enthalten und muss separat erworben werden.

Der Durchmesser des Abluftrohrs muss dem Durchmesser des Anschlussrings entsprechen.



VORSICHT!

Wenn die Haube mit einem Aktivkohlefilter ausgestattet ist, muss dieser entfernt werden.

Verbinden Sie die Haube und die Auslassöffnungen an den Wänden mit einem Durchmesser, der dem des Abluftanschlusses entspricht (Anschlussflansch).

Die Verwendung von Rohren und Auslassöffnungen an Wänden mit geringeren Abmessungen führt zu einer Verringerung der Saugleistung und einem drastischen Anstieg der Geräusentwicklung. Für Fälle dieser Art übernehmen wir keinerlei Haftung.

! Verwenden Sie einen Abluftkanal mit der erforderlichen Mindestlänge.

! Verwenden Sie einen Abluftkanal mit möglichst wenig Krümmungen (maximaler Krümmungswinkel: 90°).

! Vermeiden Sie drastische Änderungen des Kanalquerschnitts.



Filterversion

Die angesaugte Luft wird entfettet und desodoriert, bevor sie wieder in den Raum geleitet wird.

Um die Dunstabzugshaube in dieser Version verwenden zu können, müssen Sie ein zusätzliches Filtersystem auf Aktivkohlebasis installieren.

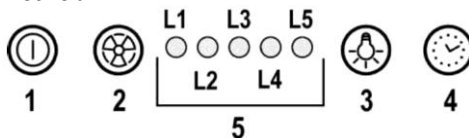
Montage

Diese Haube ist für den Einbau in einen Schrank oder eine andere Halterung vorgesehen.

Vor Beginn der Installation:

- Vergewissern Sie sich, dass das gekaufte Produkt die für den gewählten Aufstellungsort geeignete Größe hat.
- Entfernen Sie den/die Aktivkohlefilter (*), falls vorhanden (siehe auch den entsprechenden Abschnitt). Diese(r) ist/sind nur dann zu montieren, wenn Sie die Haube in der Filterversion verwenden wollen.
- Vergewissern Sie sich, dass sich im Inneren der Haube transportbedingt kein anderes mitgeliefertes Material befindet (z. B. Pakete mit Schrauben (*), Garantien (*) usw.), entfernen Sie diese gegebenenfalls und bewahren Sie sie auf.

Betrieb



1 EIN/AUS-Motor

Wenn Sie die Taste drücken, schaltet sich die Haube in Stufe 1 ein. Wenn Sie die Taste während des Betriebs drücken, schaltet sich die Haube aus.

2 Erhöhung der Geschwindigkeit

Durch Drücken der Taste geht die Haube vom Zustand AUS in die Geschwindigkeit 1 über.

Durch Drücken der Taste (Haube im EIN-Zustand) wird die Motordrehzahl von Stufe 1 auf intensiv erhöht.

Jeder Geschwindigkeit ist die entsprechende LED zugeordnet.

Geschwindigkeit 1 LED L1

Geschwindigkeit 2 LED L2

Geschwindigkeit 3 LED L3

Intensive Geschwindigkeit LED L4 (blinkend)

Die intensive Geschwindigkeit ist zeitlich begrenzt. Die Standardzeit beträgt 5 min, an deren Ende sich die Haube von selbst auf Geschwindigkeit 2 stellt.

Um die Funktion vor Ablauf der Zeit zu deaktivieren, drücken Sie die Taste 2, die Haube positioniert sich auf Stufe 1, durch Drücken der Taste 1 schaltet sich die Haube aus.

3 EIN/AUS-Leuchten

4 Zeiteinstellung der Geschwindigkeit

5 Funktionsstatusanzeige

Zeiteinstellung der Geschwindigkeit

Die Zeiteinstellung der Geschwindigkeit wird durch Drücken der Taste 4 aktiviert, nach Ablauf der Zeit schaltet sich die Haube aus.

Folgende Zeiteinstellungen sind vorhanden:

Geschwindigkeit 1: 20 Minuten (LED L1 blinkt)

Geschwindigkeit 2: 15 Minuten (LED L2 blinkt)

Geschwindigkeit 3: 10 Minuten (LED L3 blinkt)

Intensive Geschwindigkeit: 5 Minuten (LED L4 blinkt)

Während des zeitgesteuerten Betriebs schaltet sich die Haube bei Betätigung der Taste 1 aus; bei Betätigung der Taste 2 oder 4 kehrt die Haube zur eingestellten Geschwindigkeit zurück.

Fettabscheider-Signal

Nach 40 Betriebsstunden schaltet sich die LED L5 ein.

Wenn ein solches Signal erscheint, muss der installierte Fettabscheider gereinigt werden. Zum Zurücksetzen des Signals halten Sie die Taste 1 3 s lang gedrückt.

Kohlefilter-Signal

Nach 160 Betriebsstunden blinkt die LED L5.

Wenn ein solches Signal erscheint, muss der installierte Kohlefilter ausgetauscht werden.

Zum Zurücksetzen des Signals halten Sie die Taste 1 3 s lang gedrückt.

Wenn für beide Filter gleichzeitig ein Signal angezeigt wird, zeigt die LED L5 die Alarme abwechselnd an, indem sie 3 s lang leuchtet und anschließend dreimal blinkt.

Die Rückstellung erfolgt durch 2-maliges Ausführen des oben beschriebenen Verfahrens.

Beim ersten Mal wird das Signal für den Fettabscheider zurückgesetzt, beim zweiten Mal das Signal für den Kohlefilter.

Im Standardmodus ist das Kohlefiltersignal nicht aktiv.

Wenn man die Haube in der Filterversion verwendet, muss das Kohlefiltersignal aktiviert werden.

Aktivierung des Kohlefiltersignals:

Stellen Sie die Haube auf OFF und halten Sie gleichzeitig die Tasten 1 und 4 3 s lang gedrückt.

Die LEDs L1 und L2 blinken 5 s lang.

Deaktivierung des Kohlefiltersignals:

Stellen Sie die Haube auf OFF und halten Sie gleichzeitig die Tasten 1 und 4 3 s lang gedrückt.

Die LED L1 blinkt 2 s lang.

Temperatur-Alarm

Die Dunstabzugshaube ist mit einem Temperatursensor ausgestattet, der den Motor auf Stufe 3 schaltet, wenn die Temperatur im Bereich der Schalltafel zu hoch wird.

Der Alarmzustand wird durch das aufeinanderfolgende Blinken der LEDs L1, L2, L3 angezeigt.

Dieser Zustand bleibt bestehen, bis die Temperatur unter die Alarmschwelle fällt.

Sie können diesen Modus durch Drücken der Taste 1 oder 2 wieder verlassen.

Alle 30 s prüft der Sensor die Umgebungstemperatur der Bedienfeldzone.

Wartung

Reinigung

Reinigen Sie das Gerät **NUR** mit einem mit neutralem Flüssigwaschmittel angefeuchteten Tuch. **NICHT MIT WERKZEUGEN ODER INSTRUMENTEN REINIGEN.** Verwenden Sie kein Scheuermittel. **KEIN ALKOHOL VERWENDEN!**

Ansaugplatte

Wartung der Ansaugplatte Abb. 2-3-9-10-11

Demontage:

a. Ziehen Sie die Platte (VORDERE SEITE) kräftig nach unten.

b. Haken Sie sie aus den hinteren Scharnieren aus.

Reinigung:

Die Ansaugplatte muss ebenso häufig gereinigt werden wie der Fettfilter. Verwenden Sie dazu ein feuchtes Tuch mit einem neutralen Flüssigreiner.

Vermeiden Sie die Verwendung von Produkten, die Schleifmittel enthalten. **KEIN ALKOHOL VERWENDEN!**

Montage:

Die Ansaugplatte muss hinten eingehängt und vorne (mit Magneten) befestigt werden.

Achtung! Überprüfen Sie immer, ob die Platte fest an ihrem Platz sitzt.

Fettfilter

Abb. 2-10

Fängt Kochfettpartikel auf.

Der **Fettfilter** muss einmal im Monat mit nicht aggressiven Reinigungsmitteln gereinigt werden, entweder von Hand oder im Geschirrspüler, der auf eine niedrige Temperatur und einen kurzen Zyklus eingestellt sein muss. Bei der Reinigung in der Spülmaschine kann sich der Fettfilter leicht verfärben, was die Filterleistung jedoch nicht beeinträchtigt.

Um den Fettfilter herauszunehmen, betätigen Sie die Federentriegelung.

Aktivkohlefilter (nur Filterversion)

Der Filter absorbiert unangenehme Gerüche, die beim Kochen entstehen.

Runder Aktivkohlefilter

Bringen Sie auf jeder Seite der beiden Abschirmgitter des Motorlaufrads eine Scheibe an und drehen Sie diese im Uhrzeigersinn fest.

Für die Demontage drehen Sie gegen den Uhrzeigersinn.

Der Aktivkohlefilter kann einer dieser Typen sein:

- **Washbarer Aktivkohlefilter.**
- **NICHT waschbarer Aktivkohlefilter.**

Washbarer Aktivkohlefilter.

Abb. 8

Der Aktivkohlefilter kann einmal alle zwei Monate (oder wenn das System zur Anzeige der Filtersättigung – sofern bei dem betreffenden Modell vorgesehen – diese Notwendigkeit anzeigt) mit heißem Wasser und einem geeigneten Reinigungsmittel oder in der Geschirrspülmaschine bei 65 °C gewaschen werden (bei Verwendung des Geschirrspülers die Funktion „Voller Zyklus“ wählen und nicht gleichzeitig Geschirr reinigen). Entfernen Sie das überschüssige Wasser, ohne den Filter zu beschädigen, nehmen Sie anschließend den Einsatz aus dem Kunststoffrahmen und legen Sie ihn 10 Minuten bei 100° C in den Ofen, um ihn vollständig zu trocknen. Ersetzen Sie den Einsatz alle 3 Jahre bzw. immer dann, wenn die Filtermatte beschädigt ist.

NICHT waschbarer Aktivkohlefilter Abb.7

Die Sättigung des Aktivkohlefilters tritt nach mehr oder weniger langem Gebrauch ein, je nach Art des Kochens und der Regelmäßigkeit der Reinigung des Fettfilters.

In jedem Fall muss die Kartusche mindestens alle vier Monate ausgetauscht werden.

Der Aktivkohlefilter darf NICHT gewaschen oder aufbereitet werden.

Ersetzen der Leuchten

Die Haube ist mit einem Beleuchtungssystem ausgestattet, das auf LED-Technologie basiert.

Die LEDs garantieren eine optimale Beleuchtung, eine bis zu 10-mal längere Leuchtdauer als herkömmliche Leuchten und sie ermöglichen eine Einsparung von 90% elektrischer Energie.

Für den Austausch wenden Sie sich bitte an den technischen Kundendienst.

Volg de instructies in deze handleiding nauwgezet op. Alle verantwoordelijkheid, voor eventuele ongemakken, schade of brand als gevolg van het niet naleven van de instructies in deze handleiding, wordt afgewezen. Dit apparaat is bedoeld voor huishoudelijk gebruik of voor soortgelijke toepassingen, zoals: - personeelskeukens in winkels, kantoren en andere werkomgevingen; - boerderijen; - door klanten in hotels, motels en andere woonomgevingen; - bed and breakfasts.

- Het is belangrijk om dit boekje te bewaren om het op elk gewenst moment te kunnen raadplegen. Zorg er in het geval van verkoop, overdracht of verhuizen voor dat boekje bij het product is.
- Lees de gebruiksaanwijzing zorgvuldig door: er staat belangrijke informatie in over installatie, gebruik en veiligheid.
- Voer geen elektrische of mechanische wijzigingen uit aan het product of aan de afvoerleidingen.
- Controleer voordat u het apparaat gaat installeren of er geen onderdelen zijn beschadigd. Neem anders contact op met uw dealer en ga niet verder met de installatie.

Opmerking: De onderdelen die zijn gemarkeerd met het symbool "(*)" zijn optionele accessoires die alleen bij sommige modellen worden geleverd of anderszins niet worden geleverd, maar maar wel te koop zijn.



Voorzichtig

- Sluit voordat u het apparaat reinigt of onderhoudt de afzuigkap af van de netvoeding door de stekker uit het stopcontact te halen of de netvoeding los te koppelen.
- Draag altijd werkhandschoenen voor alle installatie- en onderhoudswerkzaamheden.
- Dit apparaat mag worden gebruikt door kinderen vanaf 8 jaar en door personen met verminderde lichamelijke, zintuiglijke of geestelijke vermogens of met een gebrek aan kennis en ervaring, mits zij onder toezicht worden gehouden of instructies hebben gekregen om het apparaat veilig te kunnen gebruiken en de gevaren begrijpen die ermee gepaard gaan.
- Kinderen mogen niet aan de bedieningselementen komen of met het apparaat spelen.
- Het schoonmaken en het onderhoud mag niet door kinderen worden uitgevoerd als er geen toezicht is.
- De ruimten waar het apparaat wordt geïnstalleerd, moeten voldoende geventileerd zijn, wanneer de afzuigkap samen met andere gasverbrandingstoestellen of andere brandstoffen wordt gebruikt.

- De kap moet aan zowel de binnenkant als de buitenkant regelmatig worden gereinigd (TEN MINSTE EENMAAL PER MAAND).

- Dit moet worden uitgevoerd in overeenstemming met de onderhoudsinstructies. Het niet opvolgen van de instructies voor het reinigen van de afzuigkap en de filters leidt tot brandgevaar.

- Niet flamberen onder de afzuigkap.
- Verwijder de filters niet tijdens het koken.
- Gebruik voor het vervangen van de lamp alleen het lamptype dat staat aangegeven in het gedeelte Onderhoud/Lampen vervangen van deze handleiding.

Het gebruik van open vlammen is schadelijk voor de filters en kan een brandgevaar vormen en moet daarom in alle omstandigheden worden vermeden.

Frituren en moet voorzichtig worden uitgevoerd om ervoor te zorgen dat de olie niet oververhit raakt en in brand vliegt.

VOORZICHTIG: Bij gebruik van kooktoestellen kunnen toegankelijke delen van de afzuigkap heet worden.

- Sluit het apparaat niet aan op het elektriciteitsnet voordat de installatie volledig is voltooid.
- Met betrekking tot de te nemen technische en veiligheidsmaatregelen voor het afvoeren van dampen is het van belang dat de voorschriften van de plaatselijke autoriteiten nauwkeurig worden gevolgd.
- De lucht mag niet worden afgevoerd in een pijp die wordt gebruikt voor de afgevoerde dampen van toestellen die gas of andere brandstoffen verbranden.

▲ WAARSCHUWING! Wanneer de schroeven of de bevestiging niet volgens deze instructies worden aangebracht, kan dit elektrische gevaren met zich meebrengen.

- Gebruik de kap niet en laat de kap niet achter zonder dat de lamp goed is gemonteerd, vanwege het mogelijke gevaar voor elektrische schokken.

- Gebruik de afzuigkap nooit zonder dat de roosters goed zijn aangebracht.

- De kap mag NOOIT worden gebruikt als steunoppervlak, tenzij specifiek aangegeven.

- Gebruik alleen de bij het product geleverde bevestigingsschroeven voor de installatie of, als die niet zijn geleverd, koop dan het juiste type schroeven.

- Gebruik de juiste lengte voor de schroeven die in de Installatiegids worden geïdentificeerd.

- Raadpleeg in geval van twijfel een erkend servicecentrum of een vergelijkbaar gekwalificeerde persoon.

▲ WAARSCHUWING! Niet gebruiken met een programmeerinrichting, timer, aparte afstandsbediening of een ander apparaat dat automatisch inschakelt.

⚠ Elektrische aansluiting

De netvoeding moet overeenkomen met het type dat is aangegeven op het plaatje in de afzuigkap. Als de afzuigkap is voorzien van een stekker, sluit u de afzuigkap na installatie aan op een stopcontact dat voldoet aan de geldende voorschriften en dat op een toegankelijke plaats zit. Als hij niet is voorzien van een stekker (directe aansluiting op de netvoeding) of als de stekker na de installatie niet bereikbaar is, breng dan een dubbelpolige schakelaar aan volgens de normen die de volledige ontkoppeling van het elektriciteitsnet garandeert onder omstandigheden die verband houden met overstroom van categorie III, in overeenstemming met de installatie-instructies.

▲ WAARSCHUWING! Controleer altijd of het netsnoer goed is gemonteerd voordat u het circuit van de afzuigkap weer op het net aansluit en controleert of deze goed werkt.

▲ WAARSCHUWING! Als het netsnoer beschadigd is, moet het worden vervangen door de fabrikant, diens servicevertegenwoordiger of vergelijkbaar gekwalificeerde personen om gevaar te voorkomen.

Installatie


- De minimale afstand tussen het steunoppervlak voor de kookapparatuur op het fornuis en het laagste deel van de afzuigkap mag niet minder dan 50 cm van elektrische fornuizen en 50 cm van gas of gemengde fornuizen bedragen.

Als de installatie-instructies voor de gaskookplaat een grotere afstand aangeven, moet dit worden nageleefd.

- Dit apparaat is gemarkeerd conform de Europese Richtlijn 2012/19/EG - UK SI 2013 Nr.3113 betreffende afgedankte elektrische en elektronische apparatuur (AEEA).

- Door dit product correct te verwijderen, helpt u potentiële negatieve gevolgen voor het milieu en de menselijke gezondheid te voorkomen, die anders door de verkeerde behandeling van dit product als afval zouden kunnen worden veroorzaakt.



- Het symbool  op het product of op de documenten bij het product geeft aan dat dit apparaat niet als huishoudelijk afval mag worden behandeld. In plaats daarvan moet het worden ingeleverd bij het speciale inzamelpunt voor de recycling van elektrische en elektronische apparatuur. De verwijdering moet in overeenstemming met plaatselijke milieuvorschriften voor afvalverwerking worden uitgevoerd.

- Voor meer gedetailleerde informatie over de verwerking de inzameling en de recycling van dit product kunt u contact opnemen met de betreffende afdeling van uw lokale overheid of de lokale afdeling voor huishoudelijk afval of de winkel waar u dit product heeft gekocht.

Apparaat dat is ontworpen, getest en vervaardigd volgens:

- Veiligheid: EN/IEC 60335-1; EN/IEC 60335-2-31, EN/IEC 62233.
- Prestaties: EN/IEC 61591; ISO 5167-1; ISO 5167-3; ISO 5168; EN/IEC 60704-1; EN/IEC 60704-2-13; EN/IEC 60704-3; ISO 3741; EN 50564; IEC 62301.

- EMC: EN 55014-1; CISPR 14-1; EN 55014-2; CISPR 14-2; EN/IEC 61000-3-2; EN/IEC 61000-3-3. Suggesties voor een correct gebruik om de invloed op het milieu te verminderen: Zet de afzuigkap AAN op de minimumsnelheid wanneer u begint met koken en laat deze nog enkele minuten nadat de bereiding is voltooid, draaien. Verhoog de snelheid alleen in geval van grote hoeveelheden rook en damp en gebruik boost snelhe(i)d(-en) alleen in extreme situaties. Vervang de koolstoffilter(s) wanneer dat nodig is om een goede efficiëntie van de geurverwijdering te handhaven. Reinig de vetfilters wanneer dat nodig is om een goede efficiëntie van het vetfilter te garanderen. Gebruik de maximale diameter van het leidingsysteem zoals aangegeven in deze handleiding om de efficiëntie te optimaliseren en het geluid te minimaliseren.

Gebruik

De kap is ontworpen om te worden gebruikt voor de uitlaat- of filterversie.



Afzuigversie

In dit geval worden de dampen buiten het gebouw geleid door middel van een speciale pijp verbonden met de verbindingsring bovenop de kap.



VOORZICHTIG!

De uitlaatpijp wordt niet meegeleverd en moet apart worden gekocht. De diameter van de uitlaatpijp moet gelijk zijn aan die van de verbindingsring.



VOORZICHTIG!

Als de kap wordt geleverd met actief koolfilter, moet dit worden verwijderd.

Sluit de afzuigkap en afvoergaten aan op de wanden met een diameter die overeenkomt met de luchtuitlaat (verbindingsflens). Het gebruik van de buizen en de afvoergaten op wanden met kleinere afmetingen zal leiden tot een verzwakking van de afzuigprestatie en een drastische toename van het geluid.

Elke verantwoordelijkheid op dit gebied wordt daarom afgewezen.

! Gebruik een kanaal met een minimaal noodzakelijke lengte.

! Gebruik een luchtkanaal met zo weinig mogelijk bochten (maximum hoek elleboogdeel: 90°).

! Vermijd drastische veranderingen in de buisdoorsnede.



Filterversie

De afgezogen lucht wordt ontvet en de geur wordt eruit verwijderd voordat deze weer in de kamer wordt gebracht.

Om de kap in deze versie te gebruiken, moet u een systeem van extra filtering op basis van geactiveerde houtskool installeren.

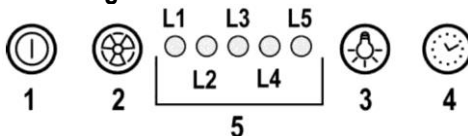
Montage

Deze kap is ontworpen voor montage in een kast of op een andere ondersteuning.

Voordat u begint met de installatie:

- Controleer of het gekochte product geschikt is voor het gekozen installatiegebied.
- Verwijder de houtskool (*)-filter/s, indien bijgeleverd (zie ook de desbetreffende paragraaf). Dit/deze moet/moeten alleen worden gemonteerd als u de kap in de filterversie wilt gebruiken.
- Controleer (om transportredenen) of er geen ander bijgeleverd materiaal in de kap zit (bv. pakketten met schroeven (*), garanties (*), enz.); verwijder deze als dat wel het geval is en bewaar ze.

Bediening



1 AAN/UIT motor

Als u op deze knop drukt, gaat de afzuigkap aan op snelheid 1.

Als u tijdens de werking op de knop drukt, gaat de kap UIT.

2 Snelheidstoename

Door op de knop te drukken, gaat de afzuigkap van de UIT-stand naar snelheid 1.

Door op de knop te drukken (afzuigkap AAN) wordt de motorsnelheid verhoogd van snelheid 1 naar intensief.

Bij iedere snelheid gaat de bijbehorende led branden.

Snelheid 1 led **L1**

Snelheid 2 led **L2**

Snelheid 3 led **L3**

Intensieve snelheid led **L4** (knipperend)

De intensieve snelheid is getimed. De standaardafstelling is 5', waarna de afzuigkap vanzelf op snelheid 2 gaat.

Om de functie te deactiveren voordat de tijd afloopt, drukt u op toets 2, de kap gaat dan op snelheid 1, als u op toets 1 drukt, gaat de kap uit.

3 AAN/UIT verlichting

4 Snelheidstiming

5 Functiestatus-indicator

Snelheidstiming

De timing van de snelheid wordt ingeschakeld door op toets 4 te drukken; zodra de timing verlopen is, wordt de kap uitgeschakeld.

De timing wordt als volgt onderverdeeld:

Snelheid 1 - 20 minuten (led **L1** knippert)

Snelheid 2 - 15 minuten (led **L2** knippert)

Snelheid 3 - 10 minuten (led **L3** knippert)

Intensieve snelheid - 5 minuten (led **L4** knippert)

Tijdens de getimed werking drukt u op toets 1 om de kap uit te schakelen, als u op toets 2 of toets 4 drukt, keert de kap terug naar de ingestelde snelheid.

Signaal vetafscheider

Na 40 uur gebruik gaat led **L5** branden.

Wanneer dat signaal verschijnt, moet de geïnstalleerde vetafscheider worden gewassen. Om het signaal te resetten, houdt u toets 1 3 seconden ingedrukt.

Signaal koolstoffilter

Na 160 uur gebruik gaat led **L5** knipperen.

Wanneer dat signaal verschijnt, moet het geïnstalleerde koolstoffilter worden vervangen.

Om het signaal te resetten, houdt u toets **1 3** seconden ingedrukt.

Als beide filters tegelijkertijd worden gesignaleerd, geeft led **L5** de alarmen afwisselend aan, door 3 seconden te blijven branden en daarna 3 maal te knipperen.

De reset vindt plaats door de hierboven beschreven procedure 2 maal uit te voeren.

De eerste keer wordt het signaal van de vetafscheider gereset, de tweede maal het signaal van het koolstoffilter.

In de standaardmodus is het koolstoffiltersignaal niet actief.

Als men de kap in filterversie gebruikt, is het noodzakelijk om het koolstoffiltersignaal in te schakelen.

Activering van het koolstoffiltersignaal:

Zet de kap UIT en houd tegelijkertijd toetsen **1** en **4 3** seconden ingedrukt.

De leds **L1** en **L2** knipperen 5 seconden.

Deactivering van het koolstoffiltersignaal:

Zet de kap UIT en houd tegelijkertijd toetsen **1** en **4 3** seconden ingedrukt.

Led **L1** knippert 2 seconden.

Temperatuuralarm

De afzuigkap is uitgerust met een temperatuursensor die de motor op snelheid 3 activeert wanneer de temperatuur in het bedieningspaneel te hoog wordt.

De alarmtoestand wordt aangegeven doordat de leds **L1**, **L2**, **L3** na elkaar knipperen.

Deze toestand blijft bestaan totdat de temperatuur onder de alarmdrempel daalt.

U kunt deze modus verlaten door op toets **1** of **2** te drukken.

Elke 30 seconden controleert de sensor de omgevingstemperatuur van de zone van het bedieningspaneel.

Onderhoud

Reinigen

Reinig **UITSLUITEND** met een doek die is bevochtigd met een neutraal vloeibaar reinigingsmiddel. **NIET REINIGEN MET GEREEDSCHAP OF INSTRUMENTEN**. Gebruik geen schurende producten. **GEBRUIK GEEN ALCOHOL!**

Paneel

Onderhoud van het paneel Afb. 2-3-9-10-11

Demontage:

a. trek het paneel (VOORKANT) beslist naar beneden

b. maak het los van de achterscharnieren.

Reinigen:

het aanzuigpaneel moet net zo vaak worden gereinigd als het vefilter; gebruik een vochtige doek met neutrale vloeibare schoonmaakmiddelen.

Vermijd gebruik van producten die schuurmiddelen bevatten. **GEBRUIK GEEN ALCOHOL!**

Montage:

Het paneel moet aan de achterkant worden vastgehaakt en aan de voorkant (met magneten) worden bevestigd.

Let op! controleer altijd of het paneel goed op zijn plaats is bevestigd.

Vetfilter

Afb. 2-10

Vangt vetdeeltjes op tijdens het koken

Het vefilter moet één keer per maand worden gereinigd met niet agressieve reinigingsmiddelen, hetzij met de hand of in de vaatwasser, die op een lage temperatuur en een kort programma moet worden gezet. Wanneer het in een afwasmachine wordt gewassen, kan het vefilter enigszins verkleuren, maar dit heeft geen invloed op de filtercapaciteit.

Om het vefilter te verwijderen, trekt u aan de veerontgrendeling.

Koolstoffilter (alleen filterversie)

Absorbeert onaangename geuren als gevolg van koken.

Circulaire koolfilter

Breng een aan elke kant aan als afdekking voor beide afschermingen van de motorwaaier en draai dan rechtsom.

Voor de demontage moet u linksom draaien.

Het actieve koolfilter kan een van deze soorten zijn:

- **Wasbaar actiefkoolfilter.**
- **NIET-wasbaar actiefkoolfilter.**

Wasbaar actiefkoolfilter

Afb. 8

Het koolstoffilter kan eenmaal per twee maanden worden gewassen (of wanneer het filterverzadigingsindicatiesysteem - als dat voorzien is op het model in bezit - aangeeft dat dit nodig is) met warm water en een geschikt wasmiddel, of in een vaatwasser op 65°C (als de vaatwasser wordt gebruikt, selecteert u de volledige cyclusfunctie maar zet u er verder geen vaat in).

Verwijder overtollig water zonder het filter te beschadigen, verwijder dan het filtermateriaal in het plastic frame en leg dat 10 minuten in de oven op 100°C om volledig te drogen. Vervang het filter om de 3 jaar en wanneer de doek beschadigd is.

NIET-wasbaar actiefkoolfilter Afb.7

De verzadiging van het koolstoffilter gebeurt na min of meer langdurig gebruik, afhankelijk van het type bereiding en de regelmatigheid van het reinigen van het vefilter.

In ieder geval moet de patroon ten minste om de vier maanden worden vervangen.

Het koolstoffilter mag NIET worden gewassen of geregenereerd.

Lampen vervangen

De afzuigkap is uitgerust met een verlichtingssysteem op basis van LED-technologie.

De leds garanderen een optimale verlichting, een duur tot 10 keer langer dan de traditionele lampen en zorgen voor een besparing van 90% van de elektrische energie.

Neem voor vervanging contact op met de technische dienst.

Suivre de près les instructions contenues dans ce manuel. Nous déclinons toute responsabilité pour tous les éventuels désagréments, dommages ou incendies causés par le non-respect des instructions du présent manuel. Cet appareil est conçu pour être utilisé dans une habitation et pour des applications similaires telles que : - les espaces de cuisine dans les magasins, bureaux et autres environnements de travail ; - les habitations rurales ; - par les clients dans les hôtels, motels et autres environnements de type résidentiel ; - les environnements de type chambres d'hôtes ou B&B.

- Il est important de conserver ce livret pour pouvoir le consulter à tout moment. En cas de vente, de cession ou de déménagement, assurez-vous qu'il soit avec le produit.
- Lisez attentivement les instructions : il y a des informations importantes sur l'installation, l'utilisation et la sécurité.
- N'effectuez pas de variations électriques ou mécaniques sur le produit ou sur les conduits de décharge.
- Avant de procéder à l'installation de l'appareil, vérifiez qu'aucun des composants n'est endommagé. Dans le cas contraire, contactez votre revendeur et ne procédez pas à l'installation.

Remarque : Les pièces marquées du symbole "(*)" sont des accessoires optionnels fournis uniquement avec certains modèles ou non fournis, mais disponibles à l'achat.



Attention

- Avant toute opération de nettoyage ou d'entretien, débranchez la hotte du secteur en retirant la fiche ou en coupant le courant.
- Portez toujours des gants de travail pour toutes les opérations d'installation et d'entretien.
- Cet appareil peut être utilisé par les enfants de plus de 8 ans et les personnes ayant des capacités physiques, sensorielles ou mentales réduites ou un manque d'expérience et de connaissances, s'ils ont été supervisés ou si on leur a appris à utiliser l'appareil en toute sécurité et qu'ils comprennent les risques courus.
- Les enfants ne doivent pas toucher aux commandes ni jouer avec l'appareil.
- Le nettoyage et l'entretien ne doivent pas être effectués par des enfants sans surveillance.
- Les locaux où l'appareil est installé doivent être suffisamment ventilés lorsque la hotte de cuisine est utilisée avec d'autres dispositifs à combustion de gaz ou autres combustibles.

- La hotte doit être nettoyée régulièrement à l'intérieur et à l'extérieur (AU MOINS UNE FOIS PAR MOIS).

- Cette opération doit être réalisée conformément aux instructions d'entretien fournies. Le non-respect des instructions fournies concernant le nettoyage de la hotte et des filtres entraînera un risque d'incendie.

- N'allumez aucune flamme sous la hotte.

- Ne retirez pas les filtres pendant la cuisson.

- Pour le remplacement de la lampe, n'utilisez que le type de lampe indiqué dans le paragraphe Entretien/Remplacement des lampes du présent manuel.

L'utilisation de flammes nues est préjudiciable aux filtres et peut provoquer un risque d'incendie et doit donc être évitée en toutes circonstances. Toute friture doit être faite avec précaution afin de s'assurer que l'huile ne surchauffe pas et ne s'enflamme pas.

ATTENTION : Les parties accessibles de la hotte peuvent devenir chaudes lors de l'utilisation avec des appareils de cuisson.

- Ne branchez pas l'appareil sur le secteur tant que l'installation n'est pas entièrement terminée.

- En ce qui concerne les mesures techniques et de sécurité à adopter pour l'évacuation des fumées, il est important de suivre de près la réglementation prévue par les autorités locales.

- L'air ne doit pas être évacué dans un conduit utilisé pour les fumées provenant d'un appareil brûlant du gaz ou d'autres carburants.

▲ AVERTISSEMENT ! Si les vis ou le dispositif de fixation ne sont pas installés conformément à ces instructions, cela peut provoquer des dangers électriques.

- N'utilisez pas la hotte et ne laissez pas la hotte sans la lampe correctement montée en raison du risque d'électrocution.
- N'utilisez jamais la hotte sans grilles bien montées.
- La hotte ne doit JAMAIS être utilisée comme surface de support, sauf indication spécifique.
- N'utilisez que les vis de fixation fournies avec le produit pour l'installation ou, si elles ne sont pas fournies, achetez le type de vis approprié.
- Utilisez la bonne longueur pour les vis indiquées dans le guide d'installation.

• En cas de doute, consultez un centre d'assistance technique agréé ou une personne qualifiée.

▲ AVERTISSEMENT ! Ne l'utilisez pas avec un programmateur, une minuterie, une télécommande séparée ou tout autre appareil qui s'allume automatiquement.

⚠ Branchement électrique

L'alimentation secteur doit correspondre à la puissance nominale indiquée sur la plaque située à l'intérieur de la hotte. Si elle est équipée d'une fiche, branchez la hotte sur une prise conforme à la réglementation en vigueur et positionnée dans un endroit accessible après l'installation. Si elle n'est pas équipée d'une fiche (branchement direct) ou si la fiche n'est pas située dans une zone accessible après l'installation, appliquez un interrupteur bipolaire conformément aux normes afin d'assurer la déconnexion complète du secteur dans des conditions relatives aux surintensités de la catégorie III, conformément aux instructions d'installation.

▲ AVERTISSEMENT ! Avant de rebrancher le circuit de la hotte sur le secteur et de vérifier le bon fonctionnement, vérifiez toujours que le câble d'alimentation est correctement monté.

▲ AVERTISSEMENT ! Si le cordon d'alimentation est endommagé, faites-le remplacer par le fabricant, le service après-vente ou un électricien qualifié pour éviter tout risque d'accident.

Installation


• La distance minimale entre la surface de support de l'équipement de cuisson de la plaque de cuisson et la partie inférieure de la hotte doit être d'au moins 50 cm par rapport aux cuisinières électriques et 50 cm par rapport aux cuisinières à gaz ou mixtes.

Si les instructions d'installation de la table de cuisson à gaz indiquent une plus grande distance, celle-ci doit être respectée.

• Cet appareil est marqué conformément à la Directive Européenne 2012/19/CE - UK SI 2013 N° 3113 relative aux déchets d'équipements électriques et électroniques (DEEE).

• En éliminant correctement cet appareil, vous évitez toutes les conséquences négatives pour l'environnement et la santé humaine, susceptibles de se présenter si cet appareil n'est pas éliminé correctement.



• Le symbole  figurant sur le produit ou sur les documents accompagnant le produit indique qu'il ne doit pas être traité comme des ordures ménagères. Vous devez l'apporter à un centre de tri approprié pour le recyclage des produits électriques et électroniques. Vous devez l'éliminer conformément aux réglementations environnementales en vigueur pour l'élimination des déchets.

• Pour plus d'informations sur le processus, la collecte et le recyclage de ce produit, veuillez contacter le service compétent de vos autorités locales ou le service local pour les déchets ménagers ou le magasin où vous avez acheté ce produit.

Appareil conçu, testé et fabriqué selon :

- Sécurité : EN/CEI 60335-1, EN/CEI 60335-2-31, EN/CEI 62233.
- Performances : EN/CEI 61591, ISO 5167-1, ISO 5167-3, ISO 5168, EN/CEI 60704-1, EN/CEI 60704-2-13, EN/CEI 60704-3, ISO 3741, EN 50564, CEI 62301.

- CEM : EN 55014-1, CISPR 14-1, EN 55014-2, CISPR 14-2, EN/CEI 61000-3-2, EN/CEI 61000-3-3. Suggestions d'utilisation correcte afin de réduire l'impact sur l'environnement : Allumez la hotte à une vitesse minimale lorsque vous commencez à cuisiner et laissez-la fonctionner pendant quelques minutes après la fin de la cuisson. Augmentez la vitesse seulement en cas de grande quantité de fumée et de vapeur et utilisez la ou les vitesses d'appoint uniquement dans des situations extrêmes. Remplacez le ou les filtres à charbon lorsque cela s'avère nécessaire pour maintenir une bonne efficacité de réduction des odeurs. Nettoyez le(s) filtre(s) à graisse lorsque cela s'avère nécessaire pour maintenir une bonne efficacité du filtre à graisse. Utilisez le diamètre maximal du système de canalisation indiqué dans ce manuel pour optimiser l'efficacité et réduire le bruit.

Utilisation

La hotte est conçue pour être utilisée soit dans la version d'évacuation soit dans la version avec filtre.



Version extraction

Dans ce cas, les fumées sont acheminées à l'extérieur du bâtiment au moyen d'un tuyau spécial relié à l'anneau de raccordement situé sur le dessus de la hotte.



ATTENTION !

Le tuyau d'évacuation n'est pas fourni et doit être acheté séparément. Le diamètre du tuyau d'évacuation doit être égal à celui de l'anneau de raccordement.



ATTENTION !

Si la hotte est fournie avec un filtre à charbon actif, celui-ci doit être retiré.

Raccordez la hotte et des trous de refolement sur les murs avec un diamètre équivalent à la sortie d'air (bride de raccordement). L'utilisation des tubes et des trous de refolement sur les murs de plus petite taille provoque une diminution des performances d'aspiration et une augmentation drastique du bruit.

Nous déclinons donc toute responsabilité en la matière.

! Utilisez un conduit de la longueur minimale indispensable.

! Utilisez un conduit avec autant de coudes que possible (angle maximal de coude : 90°).

! Évitez les changements drastiques dans la coupe transversale du conduit.



Version filtration

L'air aspiré sera dégraissé et désodorisé avant d'être réintroduit dans la pièce.

Pour utiliser la hotte dans cette version, vous devez installer un système de filtration supplémentaire à base de charbon actif.

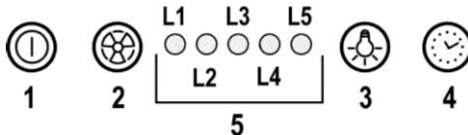
Montage

Cette hotte est conçue pour être installée dans un meuble ou sur un autre support.

Avant de commencer l'installation :

- Vérifiez que le produit acheté est d'une taille adaptée à la zone d'installation choisie.
- Retirez le(s) filtre(s) à charbon (*) s'il(s) est/sont fourni(s) (voir également le paragraphe correspondant). Il(s) ne doit/doivent être monté(s) que si vous voulez utiliser la hotte dans la version filtrante.
- Vérifiez (pour des raisons de transport) qu'il n'y a aucun autre matériau fourni à l'intérieur de la hotte (p.ex. paquets avec vis (*), garanties (*), etc.), sortez-les éventuellement et conservez-les.

Fonctionnement



1 Moteur Marche/Arrêt

En appuyant sur le bouton, la hotte s'allume à la vitesse 1. En appuyant sur le bouton pendant le fonctionnement, la hotte s'éteint.

2 Augmentation de la vitesse

En appuyant sur le bouton, la hotte passe de l'état Arrêt à la vitesse 1.

En appuyant sur le bouton (hotte dans l'état Marche), la vitesse du moteur passe de la vitesse 1 à intensive.

À chaque vitesse correspond l'allumage de la LED correspondante.

Vitesse 1 LED L1

Vitesse 2 LED L2

Vitesse 3 LED L3

Vitesse intensive LED L4 (clignotement)

La vitesse intensive est minutée. La minuterie standard est de 5', à la fin de ce laps de temps la hotte se positionne sur la vitesse 2.

Pour désactiver la fonction avant l'expiration du temps, appuyez sur la touche 2, la hotte se positionne sur la vitesse 1, en appuyant sur la touche 1, la hotte s'éteint.

3 Voyants Marche/Arrêt

4 Réglage de la vitesse

5 Indicateur d'état de fonction

Réglage de la vitesse

Le réglage de la vitesse est activé en appuyant sur la touche 4, une fois le temps écoulé, la hotte s'éteint.

Le temps est subdivisé de la manière suivante :

Vitesse 1 - 20 minutes (LED L1 clignotant)

Vitesse 2 - 15 minutes (LED L2 clignotant)

Vitesse 3 - 10 minutes (LED L3 clignotant)

Vitesse intensive - 5 minutes (LED L4 clignotant)

Pendant le fonctionnement temporisé, en appuyant sur la touche 1, la hotte s'éteint, si vous appuyez sur la touche 2 ou la touche 4, la hotte revient à la vitesse définie.

Signal du collecteur de graisse

Au bout de 40 heures de fonctionnement, la LED L5 s'allume. Lorsque ce signal apparaît, le collecteur de graisse installé doit être lavé. Pour réinitialiser le signal, maintenez la touche 1 enfoncée pendant 3".

Signal du filtre à charbon

Au bout de 160 heures de fonctionnement, la LED **L5** se met à clignoter.

Lorsque ce signal apparaît, le filtre à charbon installé doit être remplacé.

Pour réinitialiser le signal, maintenez la touche **1** enfoncée pendant 3".

Dans le cas de la signalisation des deux filtres en même temps, la LED **L5** indique que les alarmes restent allumées en alternance pendant 3" et clignotent ensuite 3 fois.

La réinitialisation a lieu en effectuant la procédure décrite ci-dessus 2 fois.

La première réinitialise le signal du collecteur de graisse, la seconde réinitialise le signal du filtre à charbon.

En mode standard, le signal du filtre à charbon n'est pas actif.

Dans le cas où l'on utilise la hotte en version filtre, il est nécessaire d'activer le signal du filtre à charbon.

Activation du signal du filtre à charbon :

Positionnez la hotte sur Arrêt et maintenez les touches **1** et **4** enfoncées simultanément pendant 3".

Les LED **L1** et **L2** clignoteront pendant 5".

Désactivation du signal du filtre à charbon :

Positionnez la hotte sur Arrêt et maintenez les touches **1** et **4** enfoncées simultanément pendant 3".

La LED **L1** clignotera pendant 2".

Alarme de température

La hotte est équipée d'un capteur de température qui déclenche le moteur à la vitesse 3 au cas où la température dans la zone du panneau de commande devient trop élevée.

L'état d'alarme est indiqué par le clignotement consécutif des LED **L1**, **L2**, **L3**.

Cette condition reste jusqu'à ce que la température descende sous le seuil d'alarme.

Vous pouvez quitter ce mode en appuyant sur la touche **1** ou **2**.

Toutes les 30", le capteur vérifie la température ambiante de la zone du panneau de commande.

Entretien

Nettoyage

Nettoyez **UNIQUEMENT** à l'aide d'un chiffon humide avec un détergent liquide neutre. **NE NETTOYEZ PAS À L'AIDE D'OUTILS OU D'INSTRUMENTS**. N'utilisez pas de produits abrasifs. **N'UTILISEZ PAS D'ALCOOL !**

Panneau

Entretien du panneau fig. 2-3-9-10-11

Démontage :

- tirez le panneau (AVANT) fermement vers le bas
- décrochez-le des charnières arrière.

Nettoyage :

le panneau d'aspiration doit être nettoyé aussi souvent que le filtre à graisse. Utilisez un chiffon humidifié avec des détergents liquides neutres.

Évitez d'utiliser des produits contenant des abrasifs. **N'UTILISEZ PAS D'ALCOOL !**

Montage :

Le panneau doit être accroché à l'arrière et fixé à l'avant (avec des aimants).

Attention ! Vérifiez toujours que le panneau est bien fixé à sa place.

Filtre à graisse

Fig. 2-10

Retient les particules de graisse de cuisson.

Le **filtre à graisse** doit être nettoyé une fois par mois à l'aide de détergents non agressifs, soit à la main soit au lave-vaisselle, qui doit être réglé à basse température et sur un cycle court. Lorsqu'il est lavé au lave-vaisselle, le filtre à graisse peut se décolorer légèrement, mais cela n'affecte pas sa capacité de filtration.

Pour retirer le filtre à graisse, tirez la poignée de déblocage à ressort.

Filtre à charbon (version filtre uniquement)

Il absorbe les odeurs désagréables causées par la cuisson.

Filtre à charbon circulaire

Appliquez un de chaque côté pour couvrir les deux grilles de protection de la turbine du moteur, puis tournez-le dans le sens des aiguilles d'une montre.

Pour le démontage, tournez dans le sens contraire des aiguilles d'une montre.

Le filtre à charbon actif peut être de l'un de ces types :

- **Filtre à charbon actif lavable.**
- **Filtre à charbon actif NON lavable.**

Filtre à charbon actif lavable

Fig. 8

Le filtre à charbon peut être lavé tous les deux mois (ou lorsque le système d'indication de saturation du filtre - s'il est prévu sur le modèle que vous possédez - indique cette nécessité) avec de l'eau chaude et un détergent approprié, ou au lave-vaisselle à 65 °C (si vous optez pour le lave-vaisselle, sélectionnez la fonction cycle complet et n'y mettez pas de vaisselle).

Éliminez l'excès d'eau sans endommager le filtre, puis retirez le matelas situé à l'intérieur du cadre en plastique et mettez-le au four pendant 10 minutes à 100 °C pour le sécher complètement. Remplacez le matelas tous les 3 ans et lorsque le tissu est endommagé.

Filtre à charbon actif NON lavable Fig.7

La saturation du filtre à charbon se produit après une utilisation plus ou moins prolongée, selon le type de cuisson et la régularité du nettoyage du filtre à graisse.

Dans tous les cas, il est nécessaire de remplacer la cartouche au moins tous les quatre mois.

Le filtre à charbon ne peut PAS être lavé ou régénéré.

Remplacement des lampes

La hotte est équipée d'un système d'éclairage LED.

Les LED garantissent un éclairage optimal, d'une durée jusqu'à 10 fois plus longue que les lampes traditionnelles et permettent d'économiser 90 % de l'énergie électrique.

Pour le remplacement, contactez le service technique.

Postępuj ściśle zgodnie z instrukcjami zawartymi w tej instrukcji. Producent zrzeka się wszelkiej odpowiedzialności za ewentualne niedogodności, uszkodzenia lub pożary spowodowane nieprzestrzeganiem zaleceń zawartych w niniejszej instrukcji. Urządzenie jest przeznaczone do użytku domowego oraz do innych podobnych zastosowań, takich jak: - kuchnie dla personelu w sklepach, biurach i innych miejscach pracy; - gospodarstwa; - przez klientów w hotelach, motelach i innych miejscach mieszkalnych; - pensjonatach.

- Niniejszej broszury nie należy wyrzucać, ponieważ może się ona okazać przydatna w trakcie eksploatacji. W przypadku sprzedaży, przekazania lub przeprowadzki zadбай, aby została ona dołączona do produktu.
- Przeczytaj uważnie niniejszą instrukcję: zawiera ona ważne informacje dotyczące instalacji, użytkowania i bezpieczeństwa.
- Nie wprowadzaj żadnych zmian w elementach elektrycznych ani mechanicznych produktu ani przewodach odprowadzających.
- Przed przystąpieniem do instalacji urządzenia upewnij się, że żaden z elementów nie jest uszkodzony. W przeciwnym razie skontaktuj się ze sprzedawcą i nie kontynuuj instalacji.

Uwaga: Części oznaczone symbolem „(*)” są opcjonalnymi akcesoriami dostarczonymi tylko z niektórymi modelami lub dostępnymi do zakupu.



Ostrożnie

- Przed przystąpieniem do czyszczenia lub konserwacji należy odłączyć okap od sieci elektrycznej poprzez wyjęcie wtyczki lub odłączenie zasilania elektrycznego.
- Podczas wykonywania wszystkich czynności instalacyjnych i konserwacyjnych należy zawsze nosić rękawice robocze.
- Urządzenie może być obsługiwane przez dzieci powyżej 8 roku życia i przez osoby o ograniczonych możliwościach fizycznych, sensorycznych lub umysłowych lub osoby nieposiadające doświadczenia ani wiedzy pod warunkiem, że są one pod odpowiednim nadzorem lub zostały poinstruowane, jak bezpiecznie obsługiwać urządzenie i rozumieją związane z nim zagrożenia.
- Nie wolno pozwalać dzieciom na manipulowanie przy elementach sterujących ani na bawienie się urządzeniem.
- Czyszczenie i konserwacja nie mogą być wykonywane przez dzieci bez dozoru.
- Pomieszczenie, w którym zainstalowane jest urządzenie, musi być odpowiednio wentylowane,

gdy okap kuchenny jest używany razem z innymi urządzeniami do spalania gazu lub innymi paliwami.

- Okap należy regularnie czyścić zarówno wewnątrz, jak i na zewnątrz (CO NAJMNIJ RAZ W MIESIĄCU).

- Takie czynności muszą być wykonywane zgodnie z dostarczonymi instrukcjami konserwacji. Niezastosowanie się do podanych instrukcji dotyczących czyszczenia okapu i filtrów wiąże się z ryzykiem pożaru.

- Nie zbliżaj płomienia do okapu kuchennego.

- Nie wyjmuj filtrów podczas gotowania.

- Do wymiany lampy używaj tylko typu lampy wskazanego w rozdziale niniejszej instrukcji dotyczącym konserwacji/wymiany lamp.

Stosowanie otwartego płomienia jest szkodliwe dla filtrów i może stwarzać ryzyko pożaru. Dlatego należy go unikać we wszystkich okolicznościach.

Podczas smażenia należy zachować ostrożność, aby olej się nie przegrzał i nie zapalił.

OSTROŻNIE: Dostępne części okapu mogą się nagrzewać podczas używania z urządzeniami do gotowania.

- Nie podłączaj urządzenia do sieci, dopóki instalacja nie zostanie całkowicie zakończona.

- W odniesieniu do środków technicznych i bezpieczeństwa, jakie należy zastosować do odprowadzania oparów, ważne jest ściśle przestrzeganie lokalnych przepisów.

- Nie wolno odprowadzać powietrza do przewodu kominowego wykorzystywanego do odprowadzania spalin z urządzeń spalających gazy lub inne paliwa.

▲ OSTRZEŻENIE! Zamocowanie wkrętów lub urządzenia mocującego niezgodnie z niniejszą instrukcją może spowodować zagrożenie elektryczne.

- Nie używaj ani nie pozostawiaj okapu bez prawidłowo zamontowanej lampy ze względu na możliwe ryzyko porażenia prądem.

- Nigdy nie używaj okapu bez odpowiednio zamontowanych krtek.
- Okap NIGDY nie może być używany jako wspomik, chyba że zostało to wyraźnie wskazane.
- Do instalacji należy używać wyłącznie śrub mocujących dostarczonych z produktem, a jeśli nie zostały dostarczone, należy zakupić śruby właściwego typu.
- Użyj odpowiedniej długości śrub określonych w Instrukcji instalacji.
- W razie wątpliwości skonsultuj się z autoryzowanym serwisem lub osobą o porównywalnych kwalifikacjach.

▲ OSTRZEŻENIE! Nie należy korzystać z okapu z programatorem, timerem, oddzielnym systemem zdalnego sterowania ani żadnym innym urządzeniem, które włącza się automatycznie.

⚠ Podłączenie do prądu

Zasilanie sieciowe musi odpowiadać wartościom podanym na tabliczce umieszczonej wewnątrz okapu. Jeśli okap jest wyposażony w wtyczkę, po instalacji należy podłączyć okap do gniazdka zgodnie z obowiązującymi przepisami i zadbać, aby wtyczka była łatwo dostępna. Jeśli okap nie jest wyposażony we wtyczkę (bezpośrednie podłączenie do sieci) lub jeśli wtyczka nie znajduje się w dostępnym miejscu, po instalacji należy zastosować przełącznik dwubiegunowy (zgodny z normami), który umożliwia całkowite odłączenie sieci w przypadku przetężenia (kategoria III), zgodnie z instrukcją montażu.

▲ OSTRZEŻENIE! Przed ponownym podłączeniem obwodu okapu do sieci i sprawdzeniem prawidłowego działania zawsze należy sprawdzić, czy kabel sieciowy jest prawidłowo podłączony.

▲ OSTRZEŻENIE! Jeśli kabel zasilający ulegnie uszkodzeniu, dla bezpieczeństwa należy zlecić jego wymianę producentowi, autoryzowanemu serwisowi lub osobom o odpowiednich kwalifikacjach.


Instalacja

- Odległość między kuchenką a najniższą poziomą częścią okapu kuchennego nie może być mniejsza niż 50 cm (w przypadku kuchenek elektrycznych) i 50 cm (w przypadku kuchenek gazowych lub mieszanych).

Jeśli w instrukcjach dotyczących instalacji płyty gazowej wskazano większą odległość, należy zastosować się do tych zaleceń.

- Urządzenie ma oznaczenie zgodne z europejską dyrektywą 2012/19/WE (UK SI 2013 nr 3113) dotyczącą zużytego sprzętu elektrycznego i elektronicznego (ZSEE).
- Zapewniając prawidłową utylizację urządzenia, pomagasz zapobiegać ewentualnym negatywnym konsekwencjom dla środowiska i zdrowia ludzkiego, które mogą wystąpić na skutek nieprawidłowego przetwarzania odpadów z niniejszego urządzenia.



- Symbol  na produkcie lub na dołączonych do niego dokumentach wskazuje, że to urządzenie nie może być traktowane jak odpady gospodarstwa domowego. Należy go dostarczyć do odpowiedniego punktu zbiórki w celu poddania recyklingowi sprzętu elektrycznego i elektronicznego. Utylizację należy przeprowadzać zgodnie z lokalnymi przepisami dotyczącymi ochrony środowiska w zakresie usuwania odpadów.
- W celu uzyskania dalszych szczegółowych informacji dotyczących procesu, zbiórki i recyklingu tego produktu należy skontaktować się z odpowiednim wydziałem władz lokalnych lub lokalnym wydziałem ds. odpadów domowych lub sklepem, w którym zakupiono ten produkt.

Urządzenie zaprojektowano, przetestowano i wyprodukowano zgodnie z następującymi normami:

- Bezpieczeństwo: EN/IEC 60335-1; EN/IEC 60335-2-31, EN/IEC 62233.
- Wydajność: EN/IEC 61591; ISO 5167-1; ISO 5167-3; ISO 5168; EN/IEC 60704-1; EN/IEC 60704-2-13; EN/IEC 60704-3; ISO 3741; EN 50564; IEC 62301.
- EMC: EN 55014-1; CISPR 14-1; EN 55014-2; CISPR 14-2; EN/IEC 61000-3-2; EN/IEC 61000-3-3. Sugestie dotyczące prawidłowego użytkowania umożliwiającego ograniczenie wpływu na środowisko: Na początku gotowania włącz okap z ustawioną minimalną prędkością i pozostaw włączony przez kilka minut po zakończeniu gotowania. Zwiększaj prędkość tylko w przypadku dużej ilości dymu i oparów, a funkcji booster używaj tylko w ekstremalnych sytuacjach. W razie potrzeby wymień filtr(y) z węglem drzewnym, aby utrzymać odpowiednią skuteczność eliminowania zapachów. W razie potrzeby wyczyść filtr(y) tłuszczu, aby utrzymać odpowiednią wydajność filtrowania. Użyj

maksymalnej średnicy systemu kanałów wskazanej w tej instrukcji, aby zoptymalizować wydajność i zminimalizować hałas.

Użytkowanie

Okap jest przeznaczony do użytku w wersji wyciągowej lub filtrującej.



Wersja ekstrakcyjna

W tym przypadku spaliny wprowadzane są na zewnątrz budynku specjalną rurą połączoną z pierścieniem łączącym znajdującym się w górnej części okapu.

! OSTROŻNIE!

Rura odprowadzająca nie jest dołączona do okapu i należy ją zakupić osobno.

Średnica rury odprowadzającej musi być równa średnicy pierścienia łączącego.

! OSTROŻNIE!

Jeśli okap jest wyposażony w filtr z węglem aktywnym, należy go usunąć.

Podłączając okap i otwory wylotowe w ścianach o średnicy odpowiadającej wylotowi powietrza (kołnierz przyłączeniowy).

Stosowanie przewodów i otworów wylotowych na ścianach o mniejszych wymiarach spowoduje zmniejszenie wydajności ssania i znaczny wzrost poziomu hałasu.

W takim wypadku producent zrzeka się wszelkiej odpowiedzialności.

! Użyj przewodu o minimalnej niezbędnej długości.

! Użyj przewodu z jak najmniejszą liczbą kolanek (maksymalny kąt kolanka: 90°).

! Unikaj zbyt dużych zmian w przekroju kanału.



Wersja filtrująca

Zassane powietrze zostanie odtłuszczone i pozbawione zapachów przed ponownym wprowadzeniem do pomieszczenia.

Aby korzystać z okapu w tej wersji, należy zainstalować system dodatkowego filtrowania wykorzystującego węgiel aktywny.

Montaż

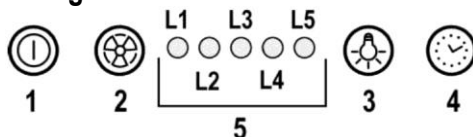
Okap ten jest przeznaczony do montażu w szafce lub na innym wsporniku.

Przed rozpoczęciem instalacji:

- Sprawdź, czy zakupiony produkt ma odpowiedni rozmiar dla wybranego miejsca instalacji.
- Usuń filtr (lub filtry) z węgla drzewnego (*), jeśli zostały dostarczone (zapoznaj się również z odpowiednim rozdziałem). Należy go (je) zamontować tylko wtedy, gdy okap ma być używany w wersji filtrującej.

- Sprawdź, czy wewnątrz okapu nie ma innych dostarczonych materiałów (np. paczek ze śrubami (*), gwarancji (*) itp.) umieszczonych tam na potrzeby transportu. Jeśli są, wyjmij je i zachowaj.

Obsługa



1 Włączanie i wyłączenie silnika

Po naciśnięciu przycisku okap włącza się i pracuje z prędkością 1. Naciśnięcie przycisku podczas pracy powoduje wyłączenie okapu.

2 Zwiększenie prędkości

Po naciśnięciu przycisku wyłączony okap rozpoczyna pracę z prędkością 1.

Naciśnięcie tego przycisku, gdy okap już pracuje, zwiększa prędkość silnika z prędkości 1 do prędkości intensywnej. Do każdej prędkości przypisana jest odpowiednia dioda.

Dioda prędkości 1 L1

Dioda prędkości 2 L2

Dioda prędkości 3 L3

Dioda intensywnej prędkości L4 (miga)

Z prędkości intensywnej można korzystać tylko przez krótki czas. Standardowy czas to 5 minut. Po ich upływie okap zmienia prędkość na 2.

Aby wyłączyć funkcję przed upływem tego czasu, naciśnij przycisk 2. Okap zacznie wówczas pracować z prędkością 1. Po naciśnięciu przycisku 1 okap wyłączy się.

3 Włączanie i wyłączenie światła

4 Czas działania z daną prędkością

5 Wskaźnik stanu funkcji

Czas działania z daną prędkością

Czas działania z daną prędkością jest włączany przez naciśnięcie przycisku 4. Po jego upływie okap wyłącza się.

Czas działania jest podzielony w następujący sposób:

Prędkość 1 - 20 minut (miga dioda L1)

Prędkość 2 - 15 minut (miga dioda L2)

Prędkość 3 - 10 minut (miga dioda L3)

Intensywna prędkość - 5 minut (miga dioda L4)

Jeśli naciśniesz przycisk 1 przed upływem ustawionego czasu działania, okap wyłączy się. Naciśnięcie przycisku 2 lub 4 spowoduje, że okap powróci do ustawionej prędkości.

Sygnalizacja łapacza tłuszczu

Po 40 godzinach pracy zapala się dioda L5.

Po pojawieniu się takiego sygnału należy umyć zamontowany łapacz tłuszczu. Aby zresetować sygnał, przytrzymaj klawisz 1 przez 3 sekundy.

Sygnal filtra węglowego

Po 160 godzinach pracy zaczyna migać dioda L5. Gdy pojawi się taki sygnał, zamontowany filtr węglowy należy wymienić. Aby zresetować sygnał, przytrzymaj klawisz 1 przez 3 sekundy.

W przypadku jednoczesnej sygnalizacji obu filtrów dioda L5 będzie sygnalizować alarmy, naprzemiennie świecąc przez 3 sekundy a następnie migając 3 razy. Zresetowanie wymaga dwukrotnego wykonania procedury opisanej powyżej. Pierwszy raz resetuje sygnał łapacza tłuszczu, drugi resetuje sygnał filtra węglowego.

W trybie standardowym sygnał filtra węglowego nie jest aktywny. W przypadku korzystania z okapu w wersji filtrującej konieczne jest włączenie sygnału filtra węglowego.

Aktywacja sygnału filtra węglowego:

Ustaw okap w pozycji OFF i jednocześnie przytrzymaj klawisze 1 i 4 przez 3 sekundy.

Diody L1 i L2 będą migać przez 5 sekund.

Dezaktywacja sygnału filtra węglowego:

Ustaw okap w pozycji OFF i jednocześnie przytrzymaj klawisze 1 i 4 przez 3 sekundy.

Dioda L1 będzie migać przez 2 sekundy.

Alarm temperatury

Okap wyposażony jest w czujnik temperatury, który uruchamia silnik do 3 prędkości w przypadku nadmiernego wzrostu temperatury w strefie panelu sterowania.

Stan alarmowy jest sygnalizowany sekwencyjnym miganiem diod L1, L2, L3.

Stan ten utrzymuje się do momentu, gdy temperatura spadnie poniżej progu alarmowego.

Możesz wyłączyć ten tryb, naciskając klawisz 1 lub 2.

Co 30 sekund czujnik sprawdza temperaturę otoczenia w strefie panelu sterowania.

Konserwacja

Czyszczenie

Okap należy czyścić **WYŁĄCZNIE** szmatką zwilżoną neutralnym płynnym detergentem. **DO CZYSZCZENIA NIE WOLNO UŻYWAĆ NARZĘDZI ANI PRZYRZĄDÓW.** Nie używaj produktów ściernych. **NIE UŻYWAJ ALKOHOLU!**

Panel

Konserwacja panelu (rys. 2-3-9-10-11)

Demontaż:

a. energicznie pociągnij panel (PRZEDNIA CZĘŚĆ) w dół

b. zdejmij go z tylnych zawiasów.

Czyszczenie:

panel ssący należy czyścić tak często jak filtr przeciwłuszczowy za pomocą zwilżonej szmatki i neutralnych detergentów w płynie. Unikaj używania produktów zawierających substancje ściernie. **NIE UŻYWAJ ALKOHOLU!**

Montaż:

Panel należy zacześcić z tyłu i zamocować z przodu (za pomocą magnesów).

Uwaga! Zawsze sprawdzaj, czy panel jest mocno przymocowany na swoim miejscu.

Filtr przeciwłuszczowy

Rys. 2-10

Zatrzymuje cząsteczki tłuszczu podczas gotowania.

Filtr przeciwłuszczowy należy czyścić raz w miesiącu za pomocą nieagresywnych detergentów, ręcznie lub w zmywarce, którą należy ustawić na niską temperaturę i krótki cykl. Po umyciu w zmywarce filtr przeciwłuszczowy może się lekko odbarwić, ale nie wpływa to na jego zdolność filtrowania.

Aby wyjąć filtr przeciwłuszczowy, pociągnij za uchwyt zwalniający sprężynę.

Filtr węglowy (tylko w przypadku wersji filtrującej)

Pochłania nieprzyjemne zapachy podczas gotowania.

Okragły filtr węglowy

Nalóż po obu stronach na obie siatki osłony wirnika silnika, a następnie przekręć zgodnie z ruchem wskazówek zegara.

W celu demontażu przekręć w kierunku przeciwnym do ruchu wskazówek zegara.

Filtr z węglem aktywnym może należeć do jednego z następujących typów:

- **Zmywalny filtr z węglem aktywnym.**
- **Niezmywalny filtr z węglem aktywnym.**

Zmywalny filtr z węglem aktywnym

Rys. 8

Filtr węglowy można myć raz na dwa miesiące (lub gdy system sygnalizacji nasycenia filtra - jeśli dany model jest w niego wyposażony - wskazuje taką konieczność) gorącą wodą z odpowiednim detergentem lub w zmywarce w temperaturze 65°C (jeśli jest używana zmywarka, wybierz funkcję pełnego cyklu i nie zmywaj w tym czasie innych naczyń).

Usuń nadmiar wody, nie uszkadzając filtra, następnie wyjmij wkład znajdujący się wewnątrz plastikowej ramki i włóż go na 10 minut do piekarnika rozgrzanego do temperatury 100° C do całkowitego wyschnięcia. Wkład należy wymieniać co 3 lata oraz gdy dojdzie do uszkodzenia jego materiału.

Niezmywalny filtr z węglem aktywnym Rys.7

Nasycenie **filtra węglowego** następuje po dłuższym lub krótszym użytkowaniu, w zależności od rodzaju przygotowywanych potraw i regularności czyszczenia filtra przeciwłuszczowego.

W każdym razie konieczna jest wymiana wkładu przynajmniej raz na cztery miesiące.

Filtra węglowego **NIE** wolno myć ani regenerować.

Wymiana lamp

Okap wyposażony jest w system oświetlenia w technologii LED. Diody LED gwarantują optymalne oświetlenie, działają nawet 10 razy dłużej niż tradycyjne lampy i zużywają o 90% mniej energii elektrycznej.

W celu wymiany skontaktuj się z serwisem technicznym.

Urmați cu atenție instrucțiunile prezentate în acest manual . Se declină orice responsabilitate, pentru eventualele inconveniente, daune sau incendii cauzate de nerespectarea instrucțiunilor din acest manual. Acest aparat este destinat utilizării în uz casnic și în aplicații similare, cum ar fi: - zonele de bucătărie ale personalului din restaurant, birouri și alte medii de lucru; - ferme; - de către clienți din hoteluri, moteluri și alte medii de tip rezidențial; - medii tip pensiune.

- Este important să păstrați această broșură pentru consultare în orice moment. În cazul vânzării, cesiunii sau mutării asigurați-vă că este împreună cu produsul.
- Citiți cu atenție instrucțiunile: există informații importante despre instalare, utilizare și siguranță.
- Nu operați abateri electrice sau mecanice asupra produsului sau asupra conductelor de evacuare.
- Înainte de a continua cu instalarea aparatului, verificați dacă toate componentele nu sunt deteriorate. În caz contrar, contactați distribuitorul și nu continuați cu instalarea.

Notă: Componentele marcate cu simbolul „(*)” sunt accesorii opționale furnizate numai cu unele modele sau nefurnizate, dar disponibile pentru achiziție.

Atenție

- Înainte de orice operațiune de curățare sau întreținere, deconectați hota de la rețea, scoțând ștecărul sau deconectând rețeaua de alimentare.
- Purtați întotdeauna mănuși de lucru pentru toate operațiunile de instalare și întreținere.
- Acest aparat poate fi utilizat de către copiii cu vârste de minim 8 ani și de către persoanele cu abilități fizice, senzoriale sau mentale reduse sau cu lipsă de experiență sau cunoștințe, cu condiția să fie supravegheate sau instruite corespunzător privind modul de utilizare a acestui aparat în siguranță și să înțeleagă pericolele implicate.
- Copiii nu au voie să manipuleze comenzile sau să se joace cu aparatul.
- Curățarea și întreținerea de către utilizator nu vor fi efectuate de copii fără supraveghere.
- Spațiile în care este instalat aparatul trebuie să fie suficient ventilate, atunci când hota de bucătărie este utilizată împreună cu

alte dispozitive de ardere cu gaz sau alți combustibili.

- Hota trebuie curățată în mod regulat atât pe interior, cât și pe exterior (CEL PUȚIN O DATĂ PE LUNĂ).

- Aceasta trebuie finalizată în conformitate cu instrucțiunile de întreținere furnizate. Nerespectarea instrucțiunilor furnizate cu privire la curățarea hotei și filtrelor va duce la riscul de incendii.

- Nu flambați sub hotă.

- Nu îndepărtați filtrele în timpul gătirii.

- Pentru înlocuirea becului, utilizați numai tipul de bec indicat în secțiunea **Întreținere/Înlocuirea becurilor** din acest manual.

Folosirea flăcărilor deschise este dăunătoare filtrelor și poate provoca un risc de incendiu și, prin urmare, trebuie evitată în toate circumstanțele.

Orice prăjire trebuie efectuată cu grijă pentru a vă asigura ca uleiul să nu se supraîncălzească și să se aprindă.

ATENȚIE: Piese accesibile se pot încălzi în timpul utilizării cu aparatele pentru gătit.

- Nu conectați aparatul la rețea până când instalarea nu este completă.

- În ceea ce privește măsurile tehnice și de siguranță care trebuie adoptate pentru evacuarea fumului, este important să se respecte cu strictețe reglementările furnizate de autoritățile locale.

- Aerul nu trebuie eliberat spre coșul utilizat pentru evacuarea gazelor provenite de la aparate care funcționează cu gaz sau alți combustibili.

▲ AVERTIZARE! Eșecul de a instala șuruburile sau dispozitivul de fixare în confort-

mitate cu aceste instrucțiuni poate duce la pericole de natură electrică.

- Nu folosiți și nu lăsați hota fără becul montat corect din cauza posibilului risc de electrocutare.

- Nu utilizați niciodată hota fără grilaje montate eficient.

- Hota NU trebuie folosită NICIODATĂ ca suprafață de sprijin decât dacă există specificații în acest sens.

- Utilizați numai șuruburile de fixare furnizate împreună cu produsul pentru instalare sau, dacă nu sunt furnizate, cumpărați tipul de șuruburi corect.

- Utilizați lungimea corectă pentru șuruburile identificate în Ghidul de instalare.

- În caz de îndoială, consultați un centru de asistență de service autorizat sau o persoană calificată similară.

- ▲ **AVERTIZARE!** Nu utilizați cu un programator, temporizator, sistem separat de control la distanță sau orice alt dispozitiv care se pornește automat.

Conexiunea electrică

Sursa de alimentare trebuie să corespundă valorii nominale indicate pe plăcuța situată în interiorul hotei. Dacă este prevăzută cu ștecăr, conectați hota la o priză în conformitate cu reglementările în vigoare și poziționată într-o zonă accesibilă, după instalare. Dacă nu este prevăzută cu ștecăr (conexiune directă la rețea) sau dacă ștecărul nu este amplasat într-o zonă accesibilă, după instalare, aplicați un întrerupător bipolar conform standardelor care asigură deconectarea completă a rețelei în condiții de supra-tensiune de categorie actuală III, în conformitate cu instrucțiunile de instalare.

- ▲ **AVERTISMENT!** Înainte de a reconecta circuitul hotei la sursa de alimentare și de a verifica funcționarea eficientă, verificați întotdeauna dacă cablul de alimentare este asamblat corect.

- ▲ **AVERTISMENT!** În cazul în care cablul de alimentare este deteriorat, acesta trebuie înlocuit de către producător, agentul de service sau de persoane cu calificări similare, pentru a evita orice pericol.

Instalare

- Distanța minimă dintre suprafața de susținere a echipamentului de gătit de pe plită și partea cea mai inferioară a hotei nu trebuie să fie mai mică de 50 cm la aragazurile electrice și 50 cm la aragazul cu gaz sau mixt. Dacă instrucțiunile de instalare pentru plita cu gaz specifică o distanță mai mare, aceasta trebuie respectată.

- Acest aparat este marcat conform directivei europene 2012/19/CE - UK SI 2013 nr. 3113 privind Deșeurile de echipamente electrice și electronice (DEEE).

- Asigurându-vă că acest produs este eliminat corect, veți ajuta la prevenirea potențialelor consecințe negative pentru mediu și sănătatea umană, care s-ar putea produce prin eliminarea incorectă a acestui produs.



- Simbolul de pe produs sau de pe documentele care însoțesc produsul, indică faptul că acest aparat nu poate fi tratat ca deșeu menajer. În schimb, ar trebui să fie dus la punctul de colectare corespunzător pentru reciclarea echipamentelor electrice și electronice. Eliminarea trebuie efectuată în conformitate cu reglementările locale de mediu pentru eliminarea deșeurilor.

- Pentru informații suplimentare detaliate cu privire la procesul, colectarea și reciclarea acestui produs, vă rugăm să contactați departamentul corespunzător al autorităților locale sau departamentul local pentru deșeuri menajere sau magazinul de unde ați achiziționat acest produs.

Aparat proiectat, testat și fabricat conform:

- Siguranță: EN/IEC 60335-1; EN/IEC 60335-2-31, EN/IEC 62233.
- Performanță: EN/IEC 61591; ISO 5167-1; ISO 5167-3; ISO 5168; EN/IEC 60704-1; EN/IEC 60704-2-13; EN/IEC 60704-3; ISO 3741; EN 50564; IEC 62301.
- CEM: EN 55014-1; CISPR 14-1; EN 55014-2; CISPR 14-2; EN/IEC 61000-3-2; EN/IEC 61000-3-3. Sugestii pentru o utilizare

corectă în vederea reducerii impactului asupra mediului: Porniți hota la viteză minimă când începeți să gătiți și lăsați-o să funcționeze câteva minute după terminarea gătitului. Măriți viteza numai în cazul unei cantități mari de fum și vapori și utilizați viteza(e) de creștere numai în situații extreme. Înlocuiți filtrul(ele) de carbon atunci când este necesar pentru a menține o eficiență bună de reducere a mirosurilor. Curățați filtrul(ele) pentru grăsime atunci când este necesar pentru a menține o eficiență bună a filtrului pentru grăsime. Utilizați diametrul maxim al sistemului de conducte indicat în acest manual pentru a optimiza eficiența și a minimiza zgomotul.

Utilizarea

Hota este concepută pentru a fi utilizată fie pentru versiunea de evacuare, fie pentru versiunea cu filtru.



Varianta de extracție

În acest caz, vaporii sunt transportați în exteriorul clădirii prin intermediul unei conducte speciale conectată cu inelul de conectare situat deasupra hotei.

ATENȚIE!

Conducta de evacuare nu este furnizată și trebuie achiziționată separat.

Diametrul conductei de evacuare trebuie să fie egal cu cel al inelului de conectare.

ATENȚIE!

Dacă hota este furnizată cu filtru cu carbon activ, atunci aceasta trebuie îndepărtată.

Conectați hota și orificiile de evacuare de pe pereți cu un diametru echivalent cu orificiul de evacuare a aerului (flanșă de conectare). Folosirea tuburilor și a orificiilor de evacuare pe pereți cu dimensiuni mai mici va determina o scădere a performanței de aspirare și o creștere drastică a zgomotului.

Prin urmare, orice responsabilitate în materie este declinată.

! Utilizați o conductă de lungimea minimă indispensabilă.

! Utilizați o conductă cu cât mai puține coturi posibil (unghiul maxim al cotului: 90°).

! Evitați modificările drastice ale secțiunii transversale a conductei.



Versiunea de filtrare

Aerul aspirat va fi degresat și dezodorizat înainte de a fi reintrodus în cameră.

Pentru a utiliza hota în această versiune, trebuie să instalați un sistem de filtrare suplimentar pe bază de carbon activ.

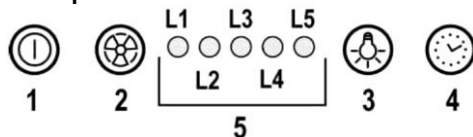
Montare

Această hotă este concepută pentru a fi montată într-un dulap sau pe alt suport.

Înainte de a începe instalarea:

- Verificați ca produsul achiziționat să fie de o dimensiune adecvată pentru zona de instalare aleasă.
- Scoateți filtrul/filtrele de carbon (*) dacă este/sunt furnizat(e) (vezi și paragraful aferent). Aceasta/acestea se montează doar dacă doriți să folosiți hota în varianta filtrantă.
- Verificați (din motive de transport) ca în interiorul hotei să nu existe alt material furnizat (de ex., pachete cu șuruburi (*), garanții (*) etc.), eventual îndepărtându-le și păstrându-le.

Funcționare



1 motor PORNIT/OPRIT

Apăsând butonul, hota pornește la viteza 1.

Apăsând butonul în timpul funcționării, hota se OPREȘTE.

2 Creșterea vitezei

Apăsând butonul, hota trece din starea OPRIT la viteza 1.

Apăsând butonul (hota în stare PORNITĂ) turația motorului se mărește de la viteza 1 la intensivă.

Fiecărei viteze îi corespunde aprinderea ledului respectiv.

Led viteza 1 L1

Led viteza 2 L2

Led viteza 3 L3

LED de viteză intensivă L4 (clipește intermitent)

Viteza intensivă este cronometrată. Timpul standard este de 5', la sfârșitul căreia hota se poziționează la viteza 2.

Pentru a dezactiva funcția înainte de expirarea timpului, apăsați tasta 2, hota se poziționează la viteza 1, apăsând tasta 1 hota se va opri.

3 Lumini PORNITE/OPRITE

4 Cronometrarea vitezei

5 Indicator de stare a funcționării

Cronometrarea vitezei

Cronometrarea vitezei este activată prin apăsarea tastei 4, odată ce timpul expiră, hota se oprește.

Timpul este împărțit după cum urmează:

Viteza 1 - 20 minute (led L1 clipește)

Viteza 2 - 15 minute (led L2 clipește)

Viteza 3 - 10 minute (led L3 clipește)

Viteza intensivă - 5 minute (led L4 intermitent)

În timpul funcționării temporizate apăsând tasta 1 hota se oprește, dacă apăsați tasta 2 sau tasta 4, hota revine la viteza setată.

Semnal filtru de grăsime

După 40 de ore de funcționare ledul L5 se aprinde.

Când apare un astfel de semnal, filtrul de grăsime instalat trebuie spălat. Pentru a reseta semnalul, țineți apăsată tasta 1 timp de 3".

Semnal filtru carbon

După 160 de ore de funcționare, ledul L5 clipește.

Când apare un astfel de semnal, filtrul de carbon instalat trebuie înlocuit.

Pentru a reseta semnalul, țineți apăsată tasta 1 timp de 3”.

În cazul semnalizării ambelor filtre în același timp, led-ul L5 va indica alarmele rămânând alternativ aprinse timp de 3” și ulterior clipind de 3 ori.

Resetarea are loc prin efectuarea procedurii descrise mai sus de 2 ori.

Prima dată resetează semnalul filtrului de grăsime, a doua resetează semnalul filtrului de carbon.

În modul standard, semnalul filtrului de carbon nu este activ.

În cazul în care se folosește hota în versiunea cu filtru, trebuie să se activeze semnalul filtrului de carbon.

Activarea semnalului filtrului de carbon:

Poziționați hota în poziție OPRIT și țineți simultan apăsată tastele 1 și 4 timp de 3”.

LED-urile L1 și L2 vor clipi timp de 5”.

Dezactivarea semnalului filtrului de carbon:

Poziționați hota în poziție OPRIT și țineți simultan apăsată tastele 1 și 4 timp de 3”.

LED-ul L1 va clipi timp de 2”.

Alarmă de temperatură

Hota este dotată cu un senzor de temperatură care activează motorul la viteza 3 în cazul în care temperatura din zona panoului de control devine prea ridicată.

Starea de alarmă este indicată cu clipirea secvențială a led-urilor L1, L2, L3.

Această condiție rămâne până când temperatura scade sub pragul de alarmă.

Puteți ieși din acest mod apășând tasta 1 sau 2.

La fiecare 30” senzorul verifică temperatura ambientală a zonei panoului de control.

Întreținere

Curățare

Curățați folosind NUMAI o lavetă umezită cu detergent lichid neutru. **NU CURĂȚAȚI CU UNELTE SAU INSTRUMENTE.** Nu utilizați produse abrazive. **NU UTILIZAȚI ALCOOL!**

Panou

Întreținerea panoului Fig. 2-3-9-10-11

Dezasamblare:

- trageți energic panoul (PARTEA FRONTALĂ) în jos
- desprindeți-l de balamalele din spate.

Curățare:

panoul de aspirație trebuie curățat la fel de des ca și filtrul de

grăsime, folosiți o lavetă umezită cu detergent lichid neutru.

Evitați utilizarea produselor care conțin abrazivi. **NU UTILIZAȚI ALCOOL!**

Asamblare:

Panoul trebuie să fie prins în spate și fixat în față (cu magneți).

Atenție! Verificați întotdeauna dacă panoul este bine fixat la locul său.

Filtru pentru grăsime

Fig. 2-10

Captează particulele de grăsime provenite din procesul de gătit.

Filtrul de grăsime trebuie curățat o dată pe lună folosind detergenți blânzi, fie manual, fie în mașina de spălat vase, care trebuie setată la o temperatură scăzută și un ciclu scurt. Când este spălat în mașina de spălat vase, filtrul de grăsime se poate decolora ușor, dar acest lucru nu îi afectează capacitatea de filtrare. Pentru a scoate filtrul de grăsime, trageți de mânerul de eliberare a arcului.

Filtru de carbon (numai versiunea cu filtru)

Absoarbe mirosurile neplăcute cauzate de gătit.

Filtru circular de carbon

Aplicați câte unul pe fiecare parte ca protecție pe ambele grile de protecție ale rotorului motorului, apoi rotiți în sens orar.

Pentru demontare, rotiți în sens antiorar.

Filtrul de carbon activ poate fi unul dintre aceste tipuri:

- Filtru de carbon activ lavabil.
- Filtru de carbon activ NELavabil.

Filtru de carbon activ lavabil

Fig. 8

Filtrul de carbon poate fi spălat o dată la două luni (sau când sistemul de indicare a saturației filtrului - dacă este prevăzut pe modelul din posesie - indică această necesitate) folosind apă fierbinte și un detergent adecvat, sau în mașina de spălat vase la 65 °C (dacă mașina de spălat vase este utilizată, selectați funcția de ciclu complet și lăsați vasele afară).

Eliminați excesul de apă fără a deteriora filtrul, apoi scoateți pânza situată în interiorul cadrului de plastic și puneți-o în cuptor pentru 10 minute la 100 °C pentru a se usca complet. Înlocuiți pânza la fiecare 3 ani și când laveta este deteriorată.

Filtru de carbon activ NELavabil Fig.7

Saturația filtrului de carbon apare după o utilizare mai mult sau mai puțin prelungită, în funcție de tipul de gătit și de regularitatea curățării filtrului de grăsime.

În orice caz, este necesară înlocuirea cartușului cel puțin o dată la patru luni.

Filtrul de carbon NU poate fi spălat sau regenerat.

Înlocuirea becurilor

Hota este echipată cu un sistem de iluminare bazat pe tehnologia LED.

LED-urile garantează o iluminare optimă, o durată de până la 10 ori mai mare decât becurile tradiționale și permit economisirea a 90% a energiei electrice.

Pentru înlocuire, contactați serviciul tehnic.

