

**S51**

**S510-U660 Under-mount sink 660**

Finish: **Graphiteblack** Article Number: **43432170**



## Description

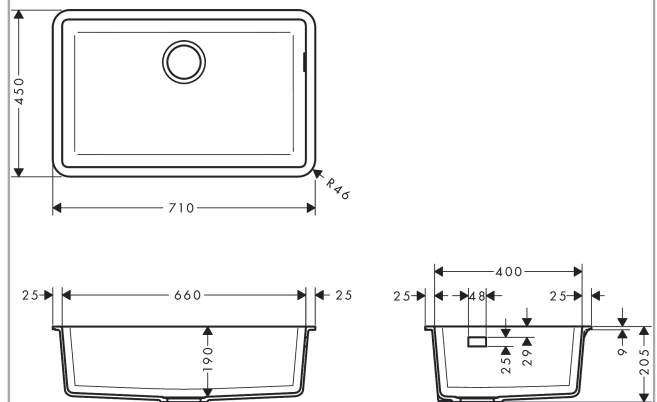
### product features

- cut-out dimensions: 658 x 398 mm
- material: SilicaTec
- number of bowls: 1 main bowl
- without tap hole
- cabinet size: 80 cm
- installation type: undercounter
- position overflow: on the right side of the bowl
- sink depth: 190 mm
- waste set not included - please order one waste set from the required parts
- sink wall thickness: 7 mm
- diameter drain hole: 90 mm

## Product image



## Scale drawing



S51

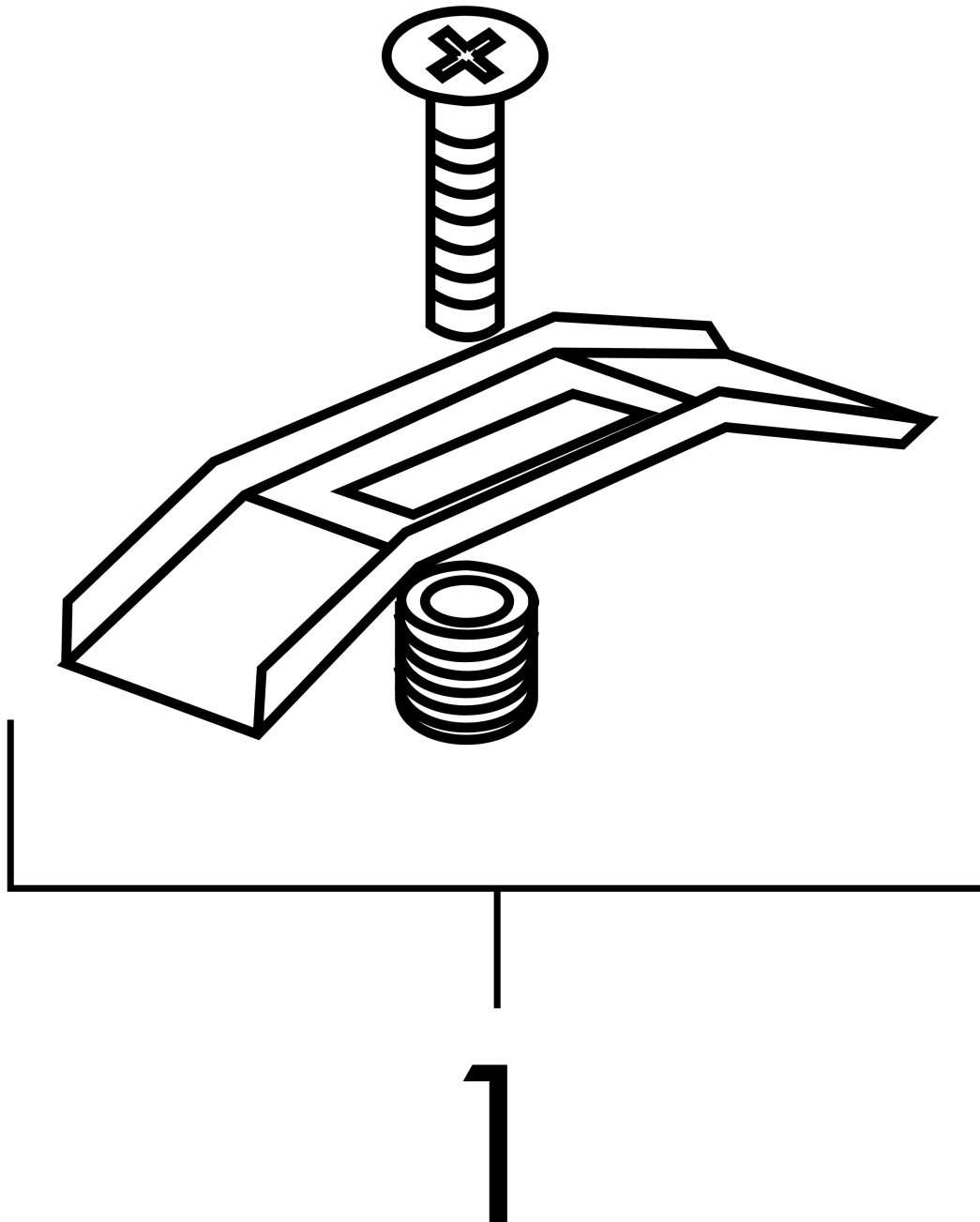
S510-U660 Under-mount sink 660

Finish: Graphiteblack Article Number: 43432170



Exploded Drawing

Year of production: >05/18



S51

S510-U660 Under-mount sink 660

Finish: **Graphiteblack** Article Number: **43432170**



Spare part list

Year of production: >05/18

Pos.	Description	Article Number	PC	PU
1	mounting kit	40954000	0	1